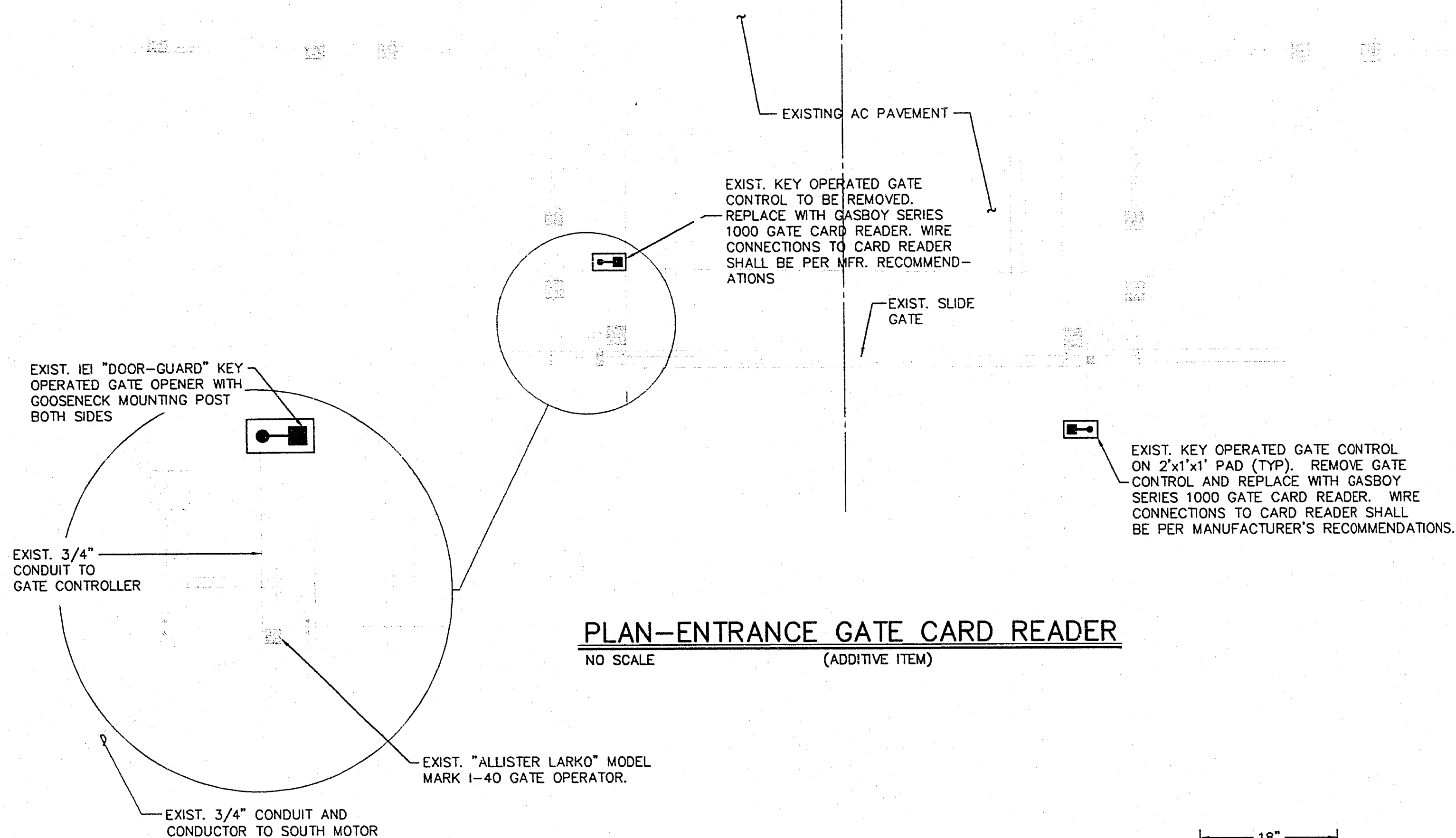


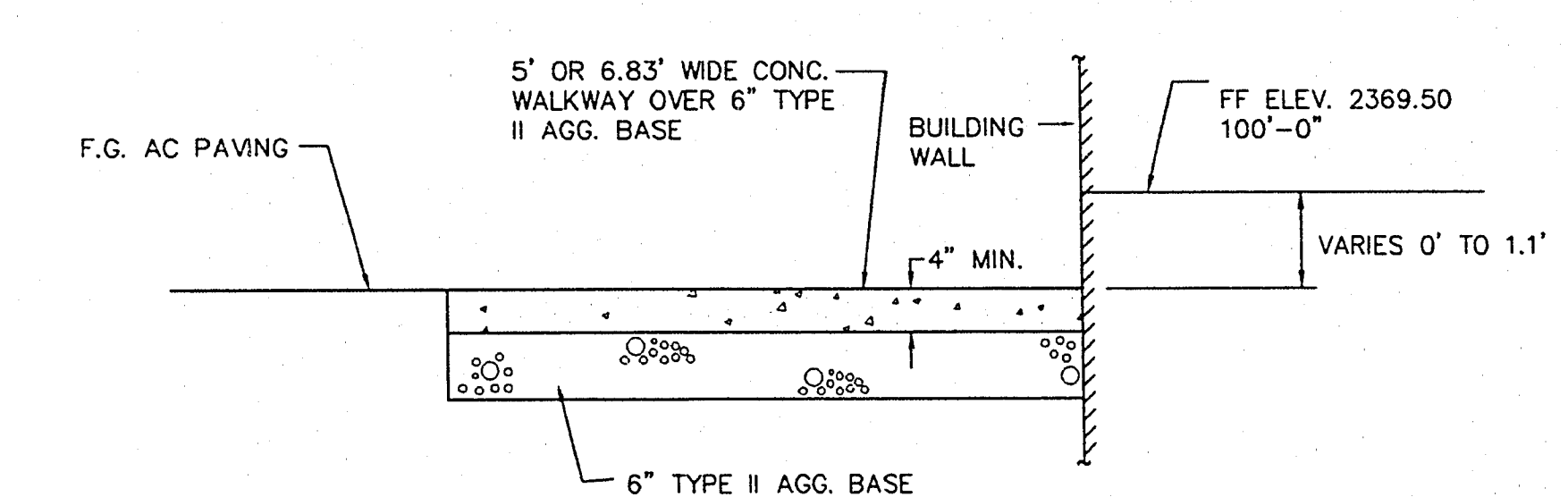
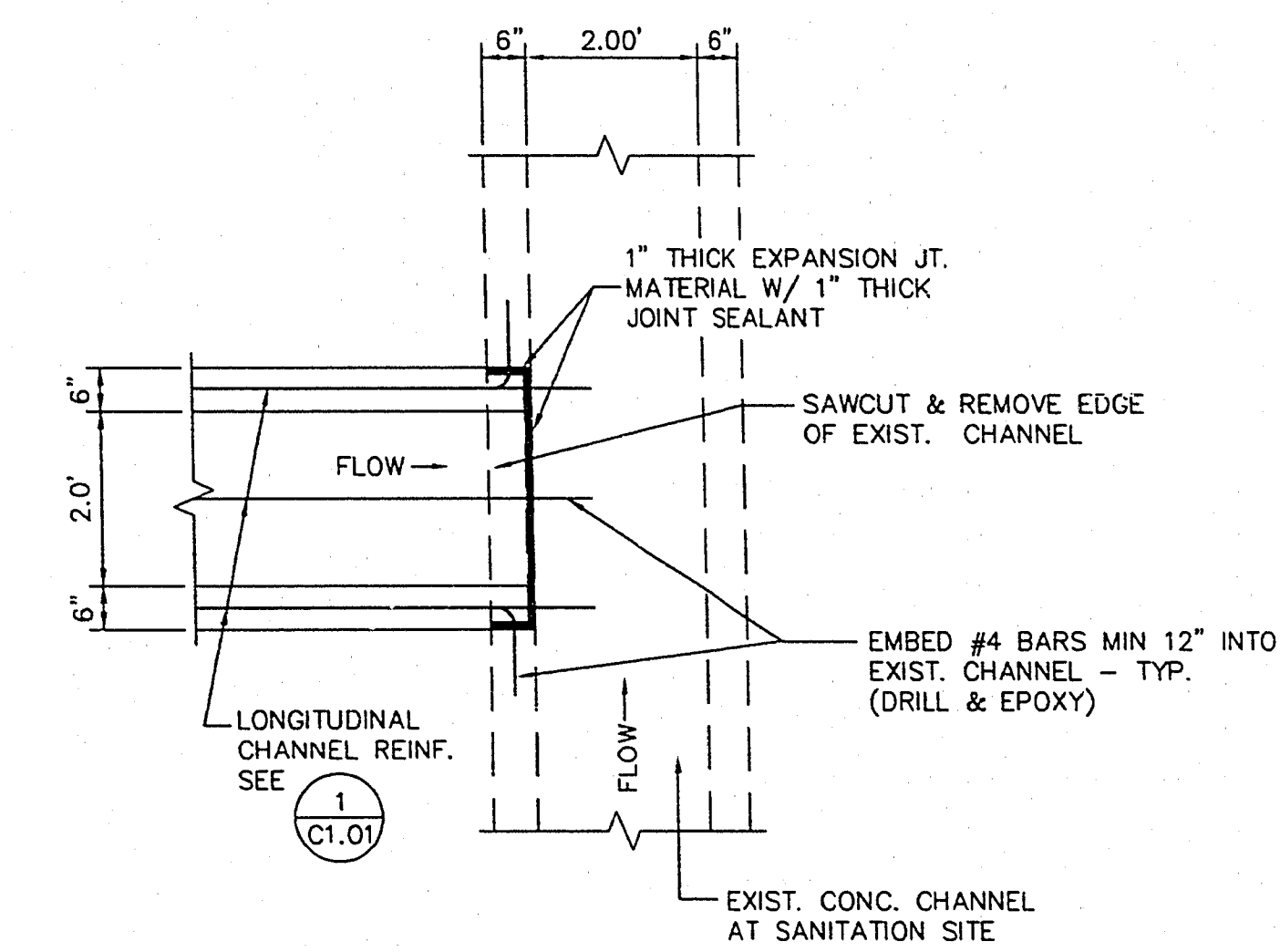


BUFFALO DRIVE

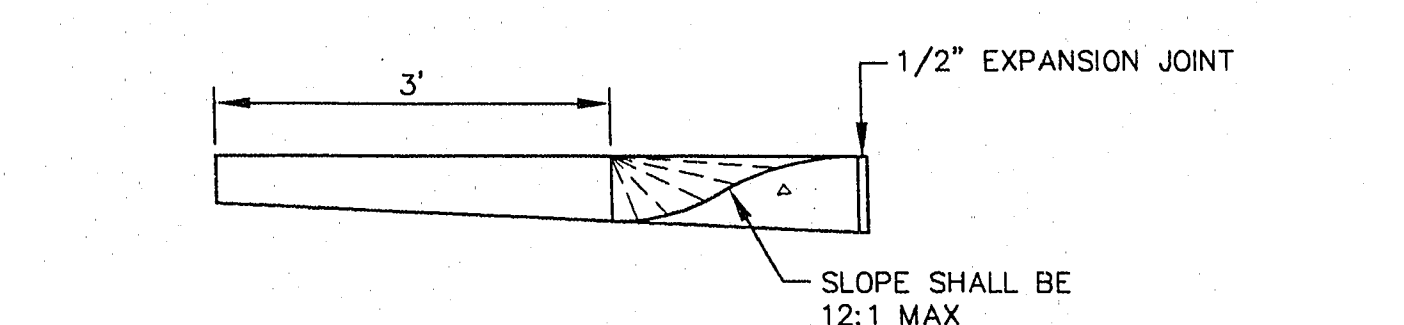
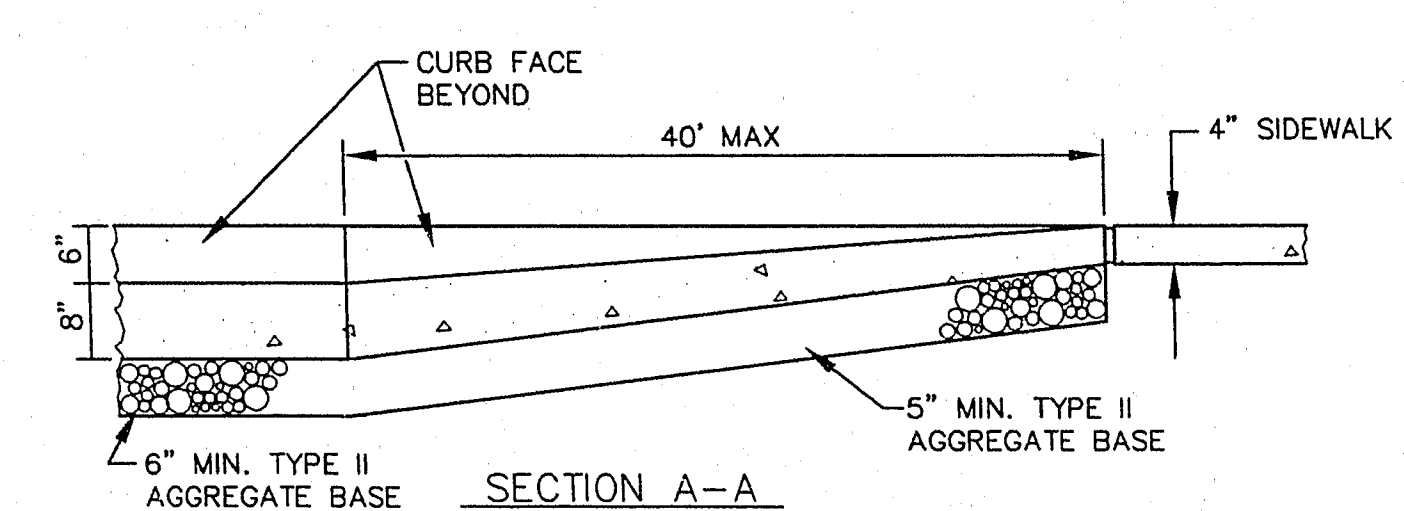
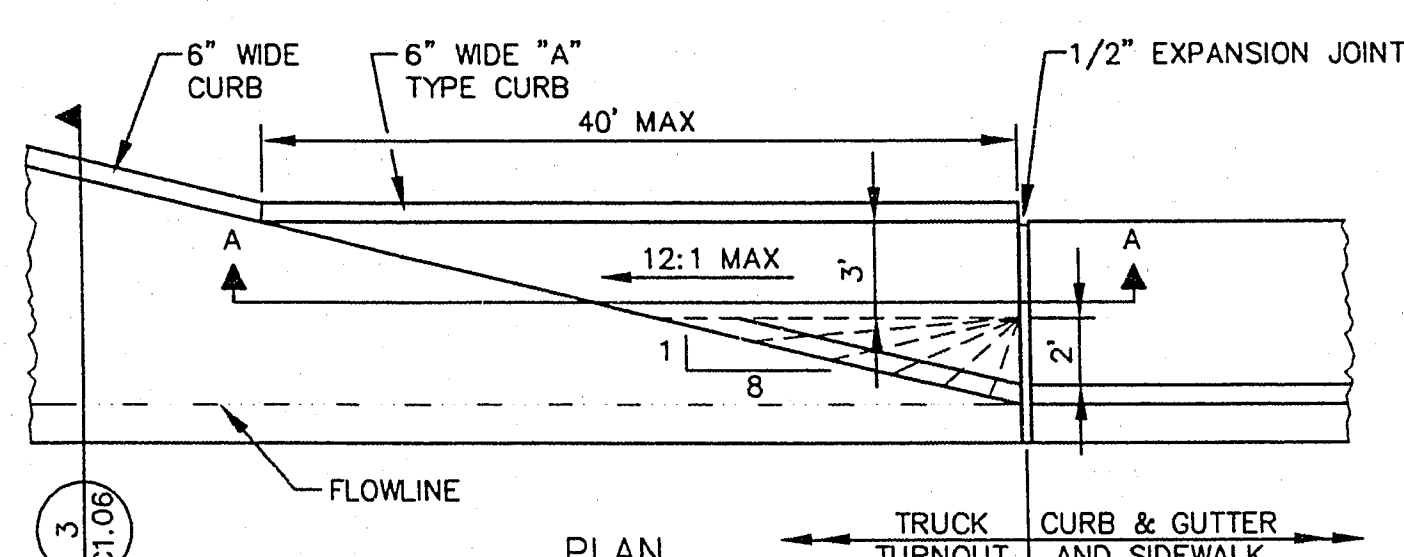


PLAN-ENTRANCE GATE CARD READER
NO SCALE (ADDITIVE ITEM)

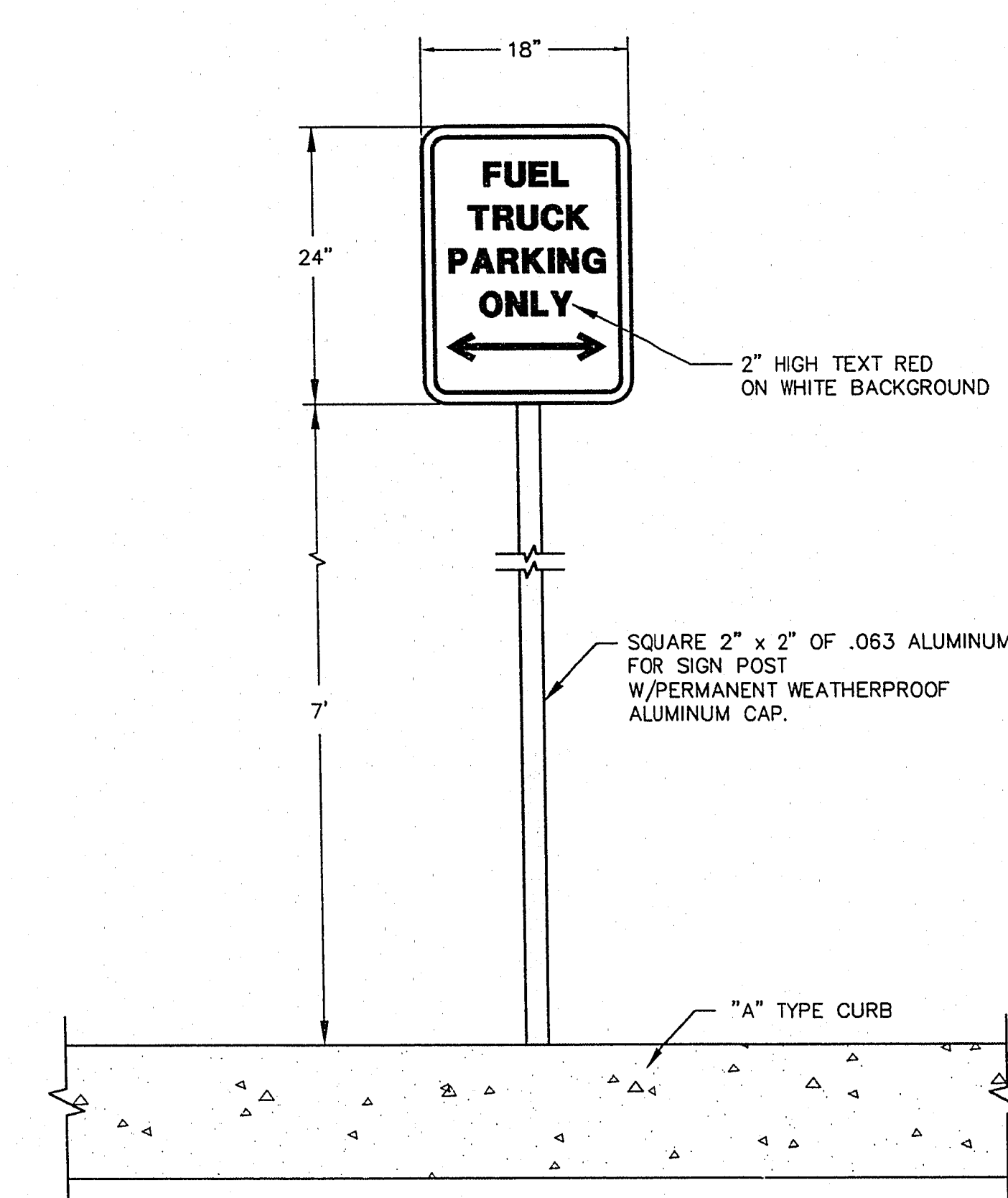
DETAIL - CHANNEL CONNECTION 1
N.T.S.



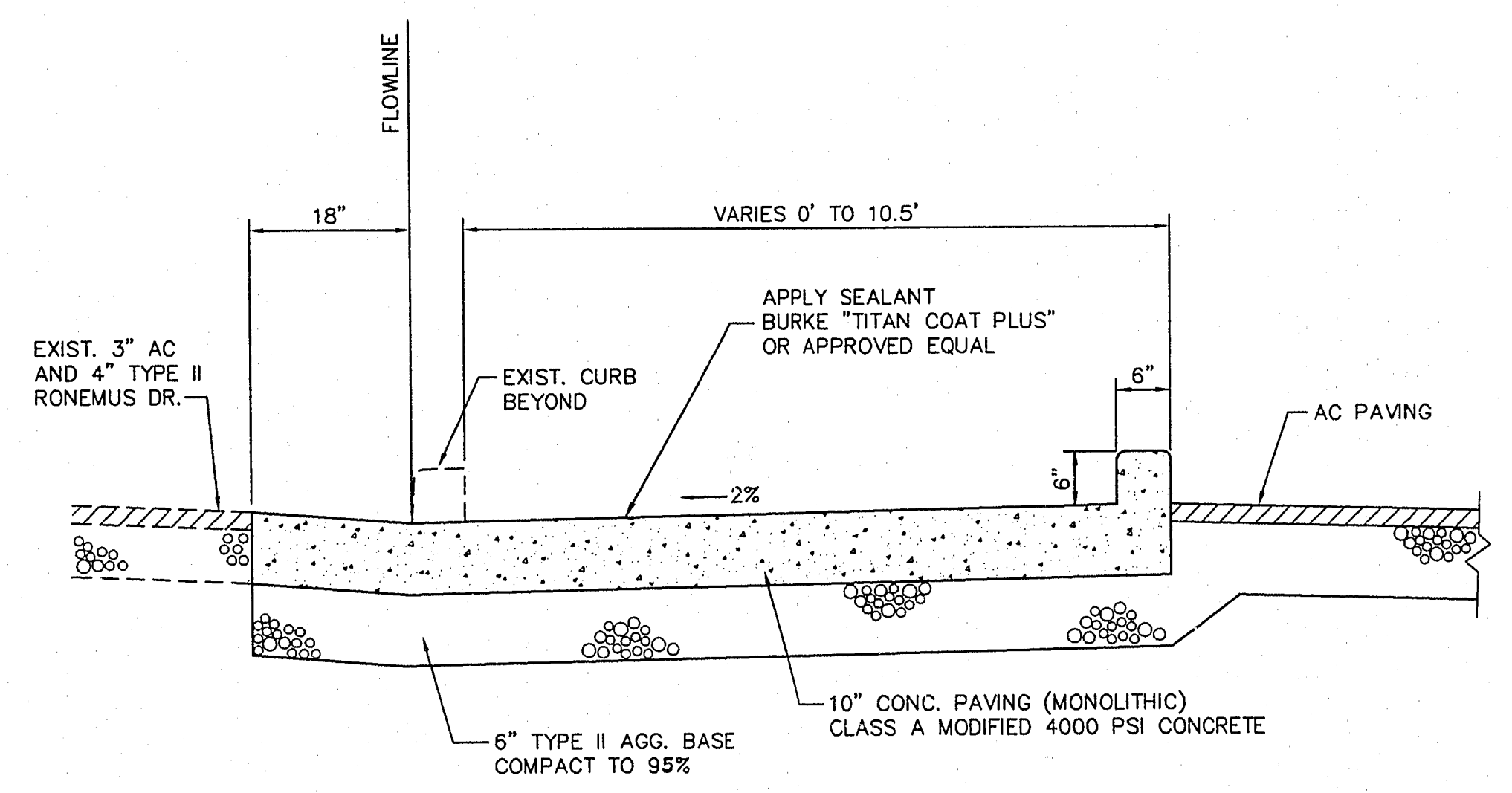
SECTION 2
N.T.S.



TRUCK TURNOUT SIDEWALK RAMP 5
N.T.S.



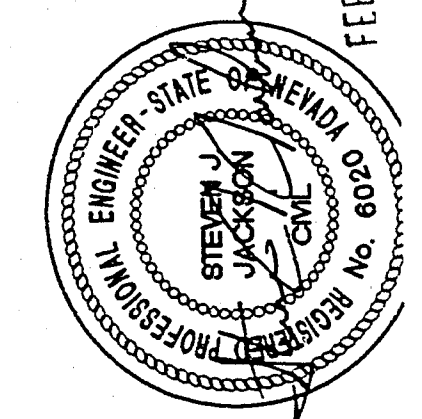
FUEL TRUCK PARKING SIGN DETAIL 4
N.T.S.



SECTION - TRUCK TURNOUT 3
N.T.S.

TATE & SNYDER ARCHITECTS

709 Valle Verde Court
Henderson, Nevada 89014
Tel. 702 . 456 . 3000
Fax. 702 . 898 . 6209



THESE DRAWINGS AND THE PROPERTY OF THE ARCHITECT AND NOT BE REPRODUCED OR USED FOR ANY SERVICE THESE NOT BE FINAL AND READY FOR CONSTRUCTION UNLESS THEY ARE SIGNED AND SEALED.

Consultant
ENGINEERS PLANNERS ARCHITECTS
POGGEMEYER DESIGN GROUP
200 NORTH TENNESSEE AVENUE SUITE 200 LAS VEGAS, NEVADA 89101 (702) 255-8100

Sheet Title
DETAILS & GATE CARD READER
Project
**CITY OF LAS VEGAS
WEST VEHICLE SERVICE CENTER**

Revisions

Date:
02.05.96
Sheet No.

C1.06
SHEET 7 OF 7