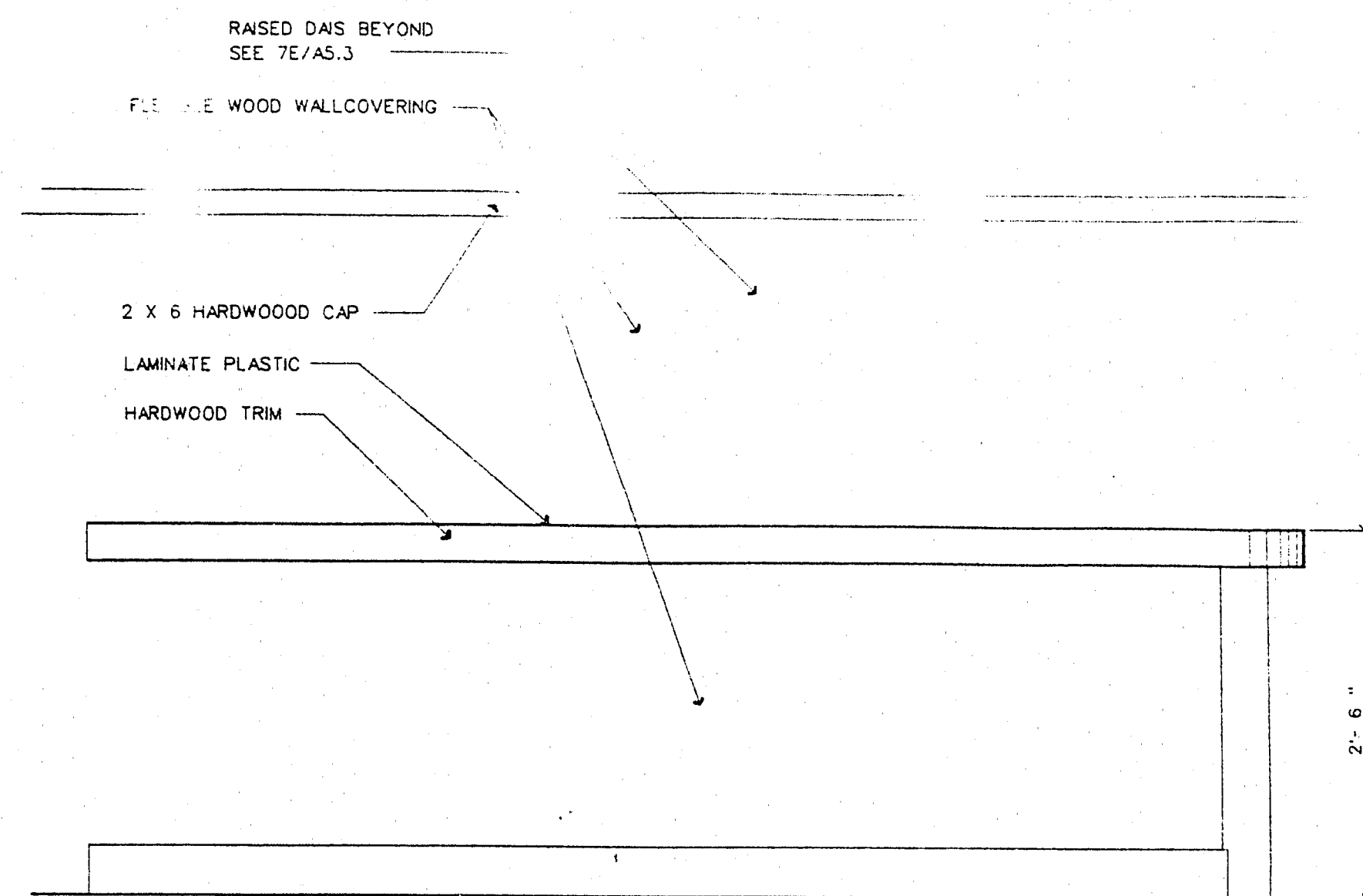


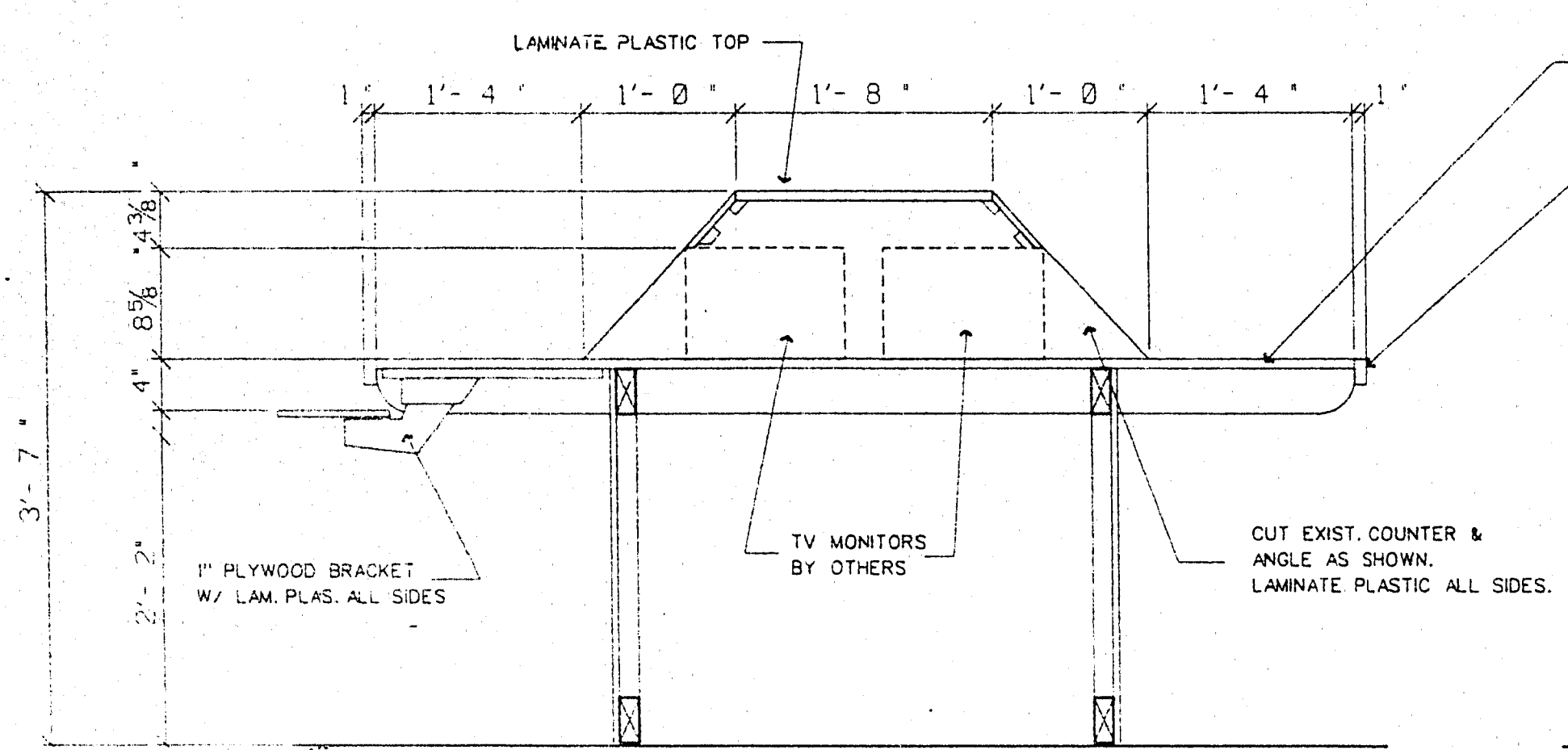
1  
AS.4  
DETAIL

scale: 3/8" = 1'-0"



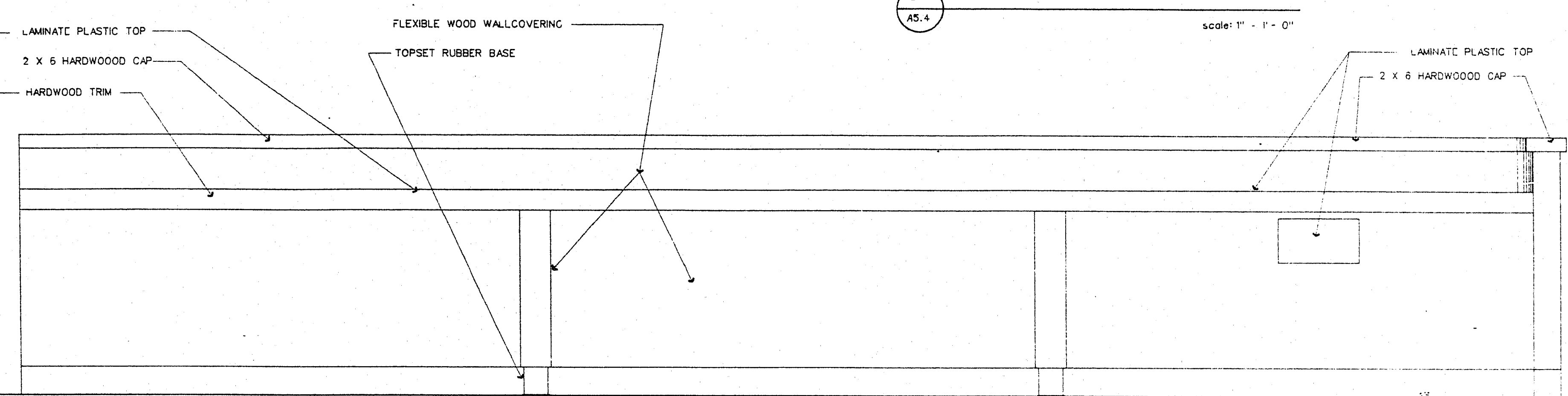
2A  
AS.4  
ELEVATION

scale: 1" = 1'-0"



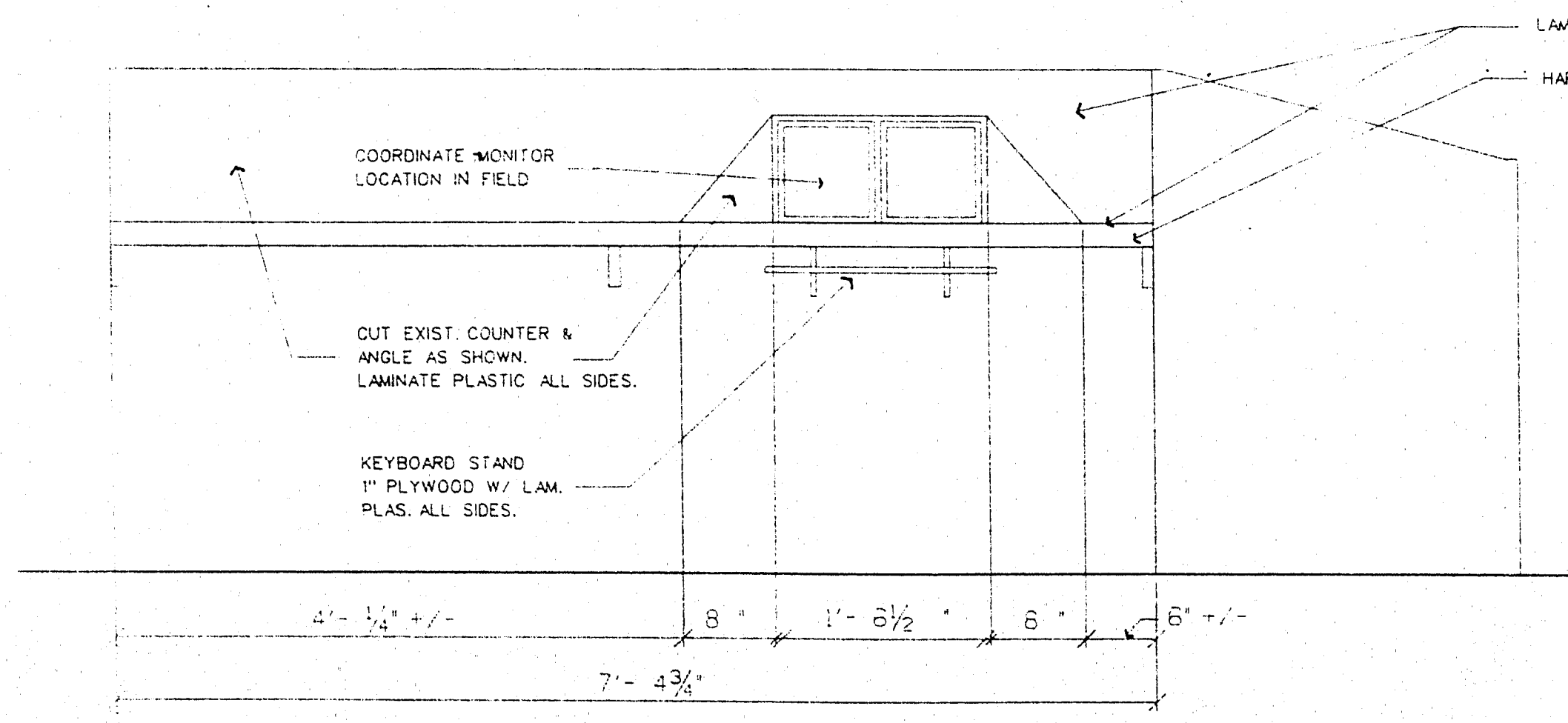
2B  
AS.4  
SECTION

scale: 1" = 1'-0"



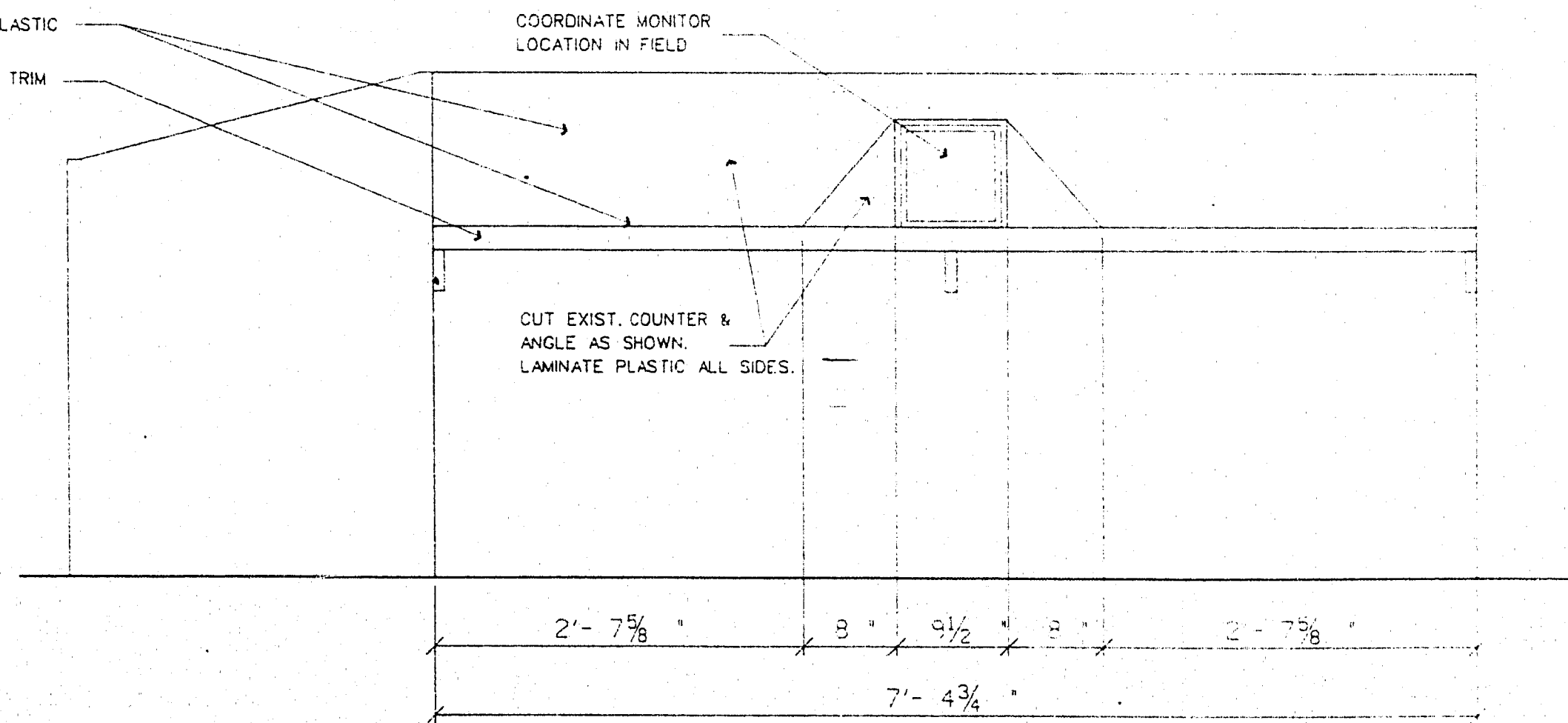
2C  
AS.4  
ELEVATION

scale: 1" = 1'-0"



2D  
AS.4  
ELEVATION

scale: 1" = 1'-0"



2E  
AS.4  
ELEVATION

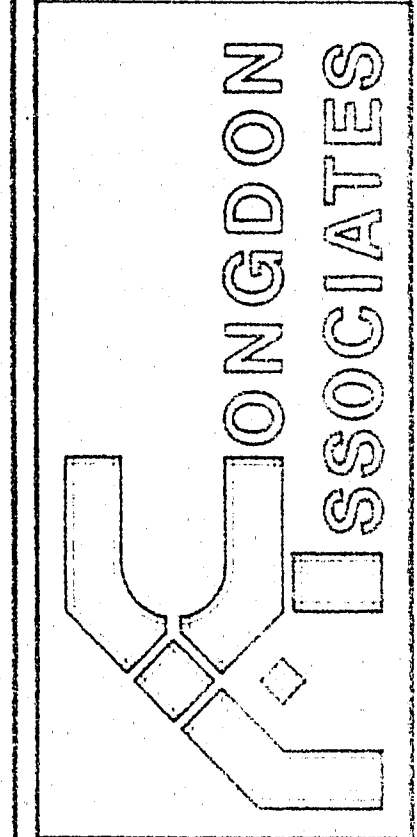
scale: 1" = 1'-0"

ENTIRE DRAWING  
SERIES

CONGDON ASSOCIATES  
architecture & planning & interiors  
3311 south Jones boulevard, suite 212a  
Las Vegas, NV 89102 702-385-3989

REVISIONS: 04/16/91  
THESE DRAWINGS AND DESIGNS ARE THE PROPERTY OF CONGDON ASSOCIATES AND SHALL NOT BE REPRODUCED OR USED FOR ANY PURPOSE WITHOUT THE ARCHITECT'S WRITTEN CONSENT. DOCUMENTS ARE NOT FINAL AND THEREFORE ARE NOT TO BE USED FOR CONSTRUCTION AND SHALL BE SCALED BY THE ARCHITECT.

DRAWING TITLE: DETAILS  
PROJECT: CITY COUNCIL CHAMBERS renovation



PROJECT: 9019  
DATE:  
APRIL 15, 1991

DRAWING NO.:  
A5.4

PROJECT RECORD 8/29/91