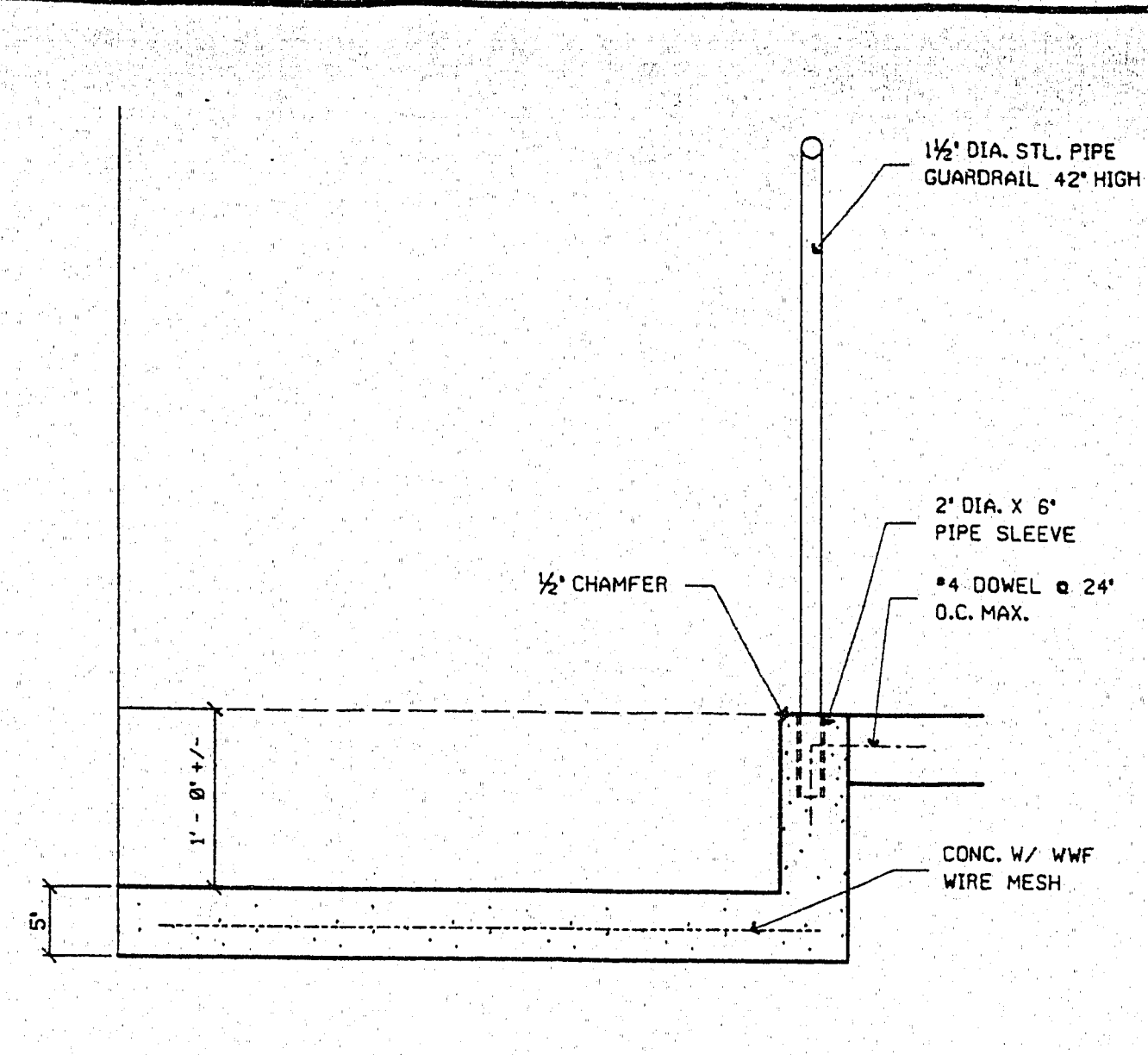
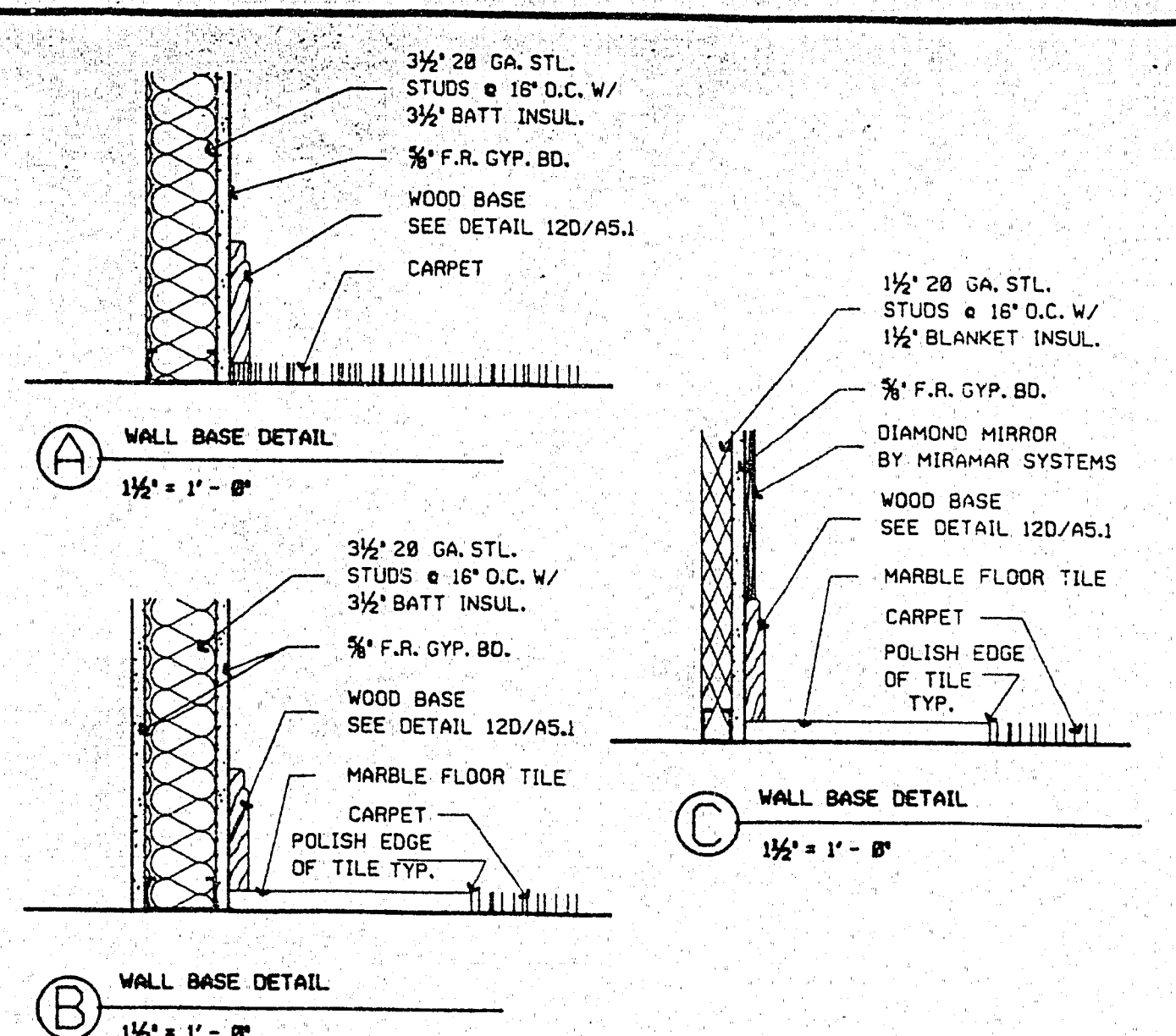


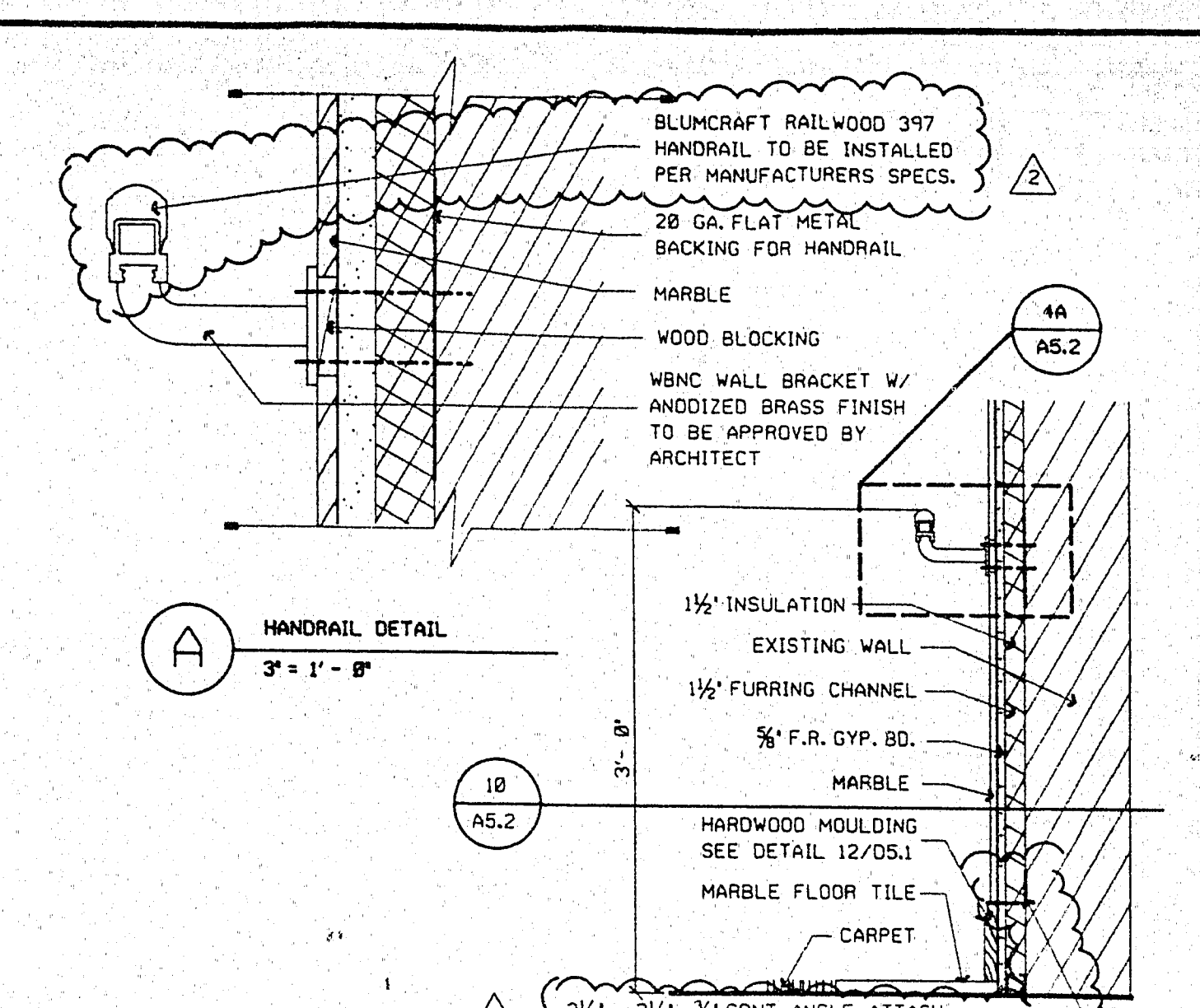
1  
A5.2 DETAIL scale: 1" = 1'-0"



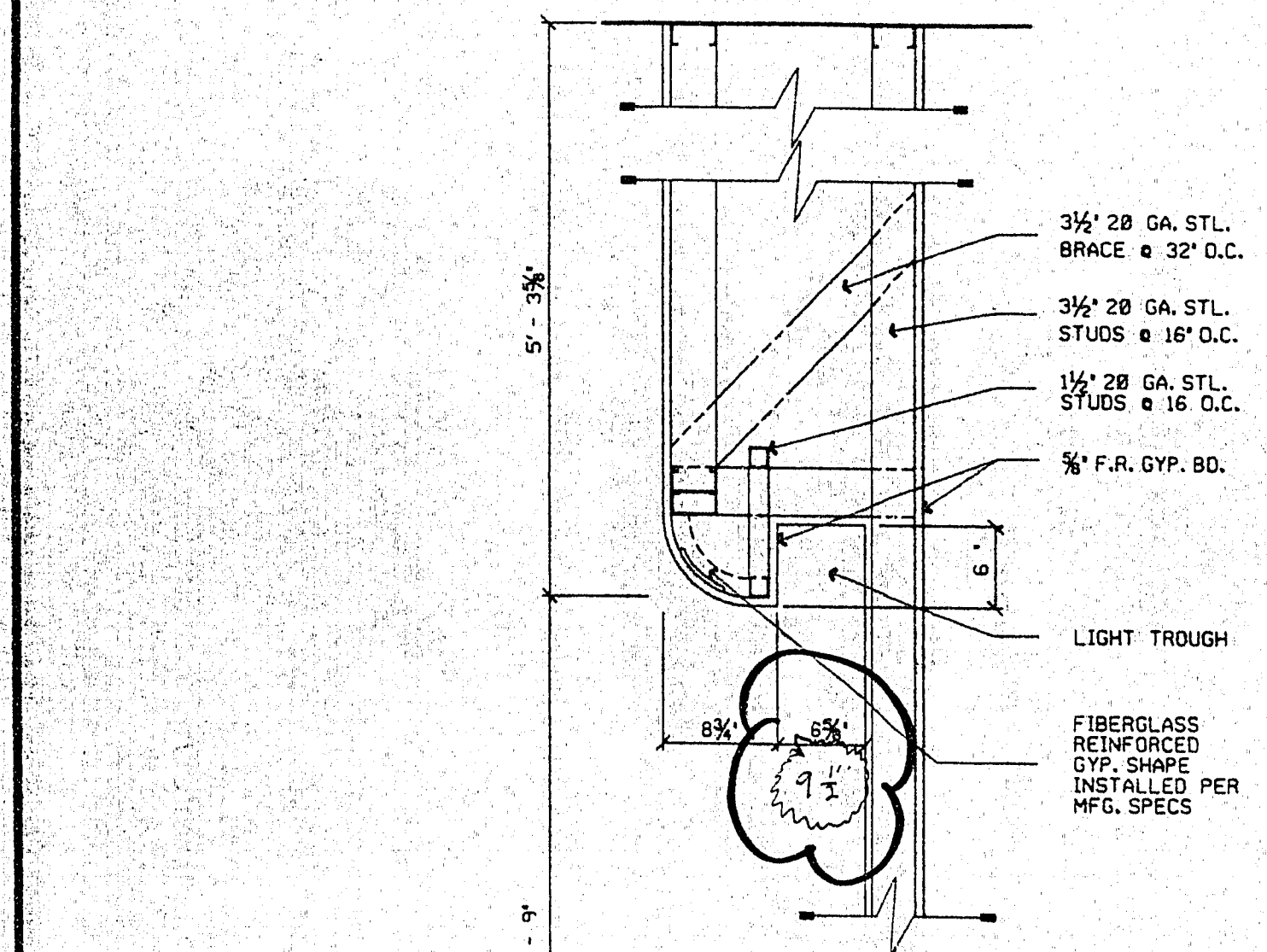
2  
A5.2 DETAIL scale: 1" = 1'-0"



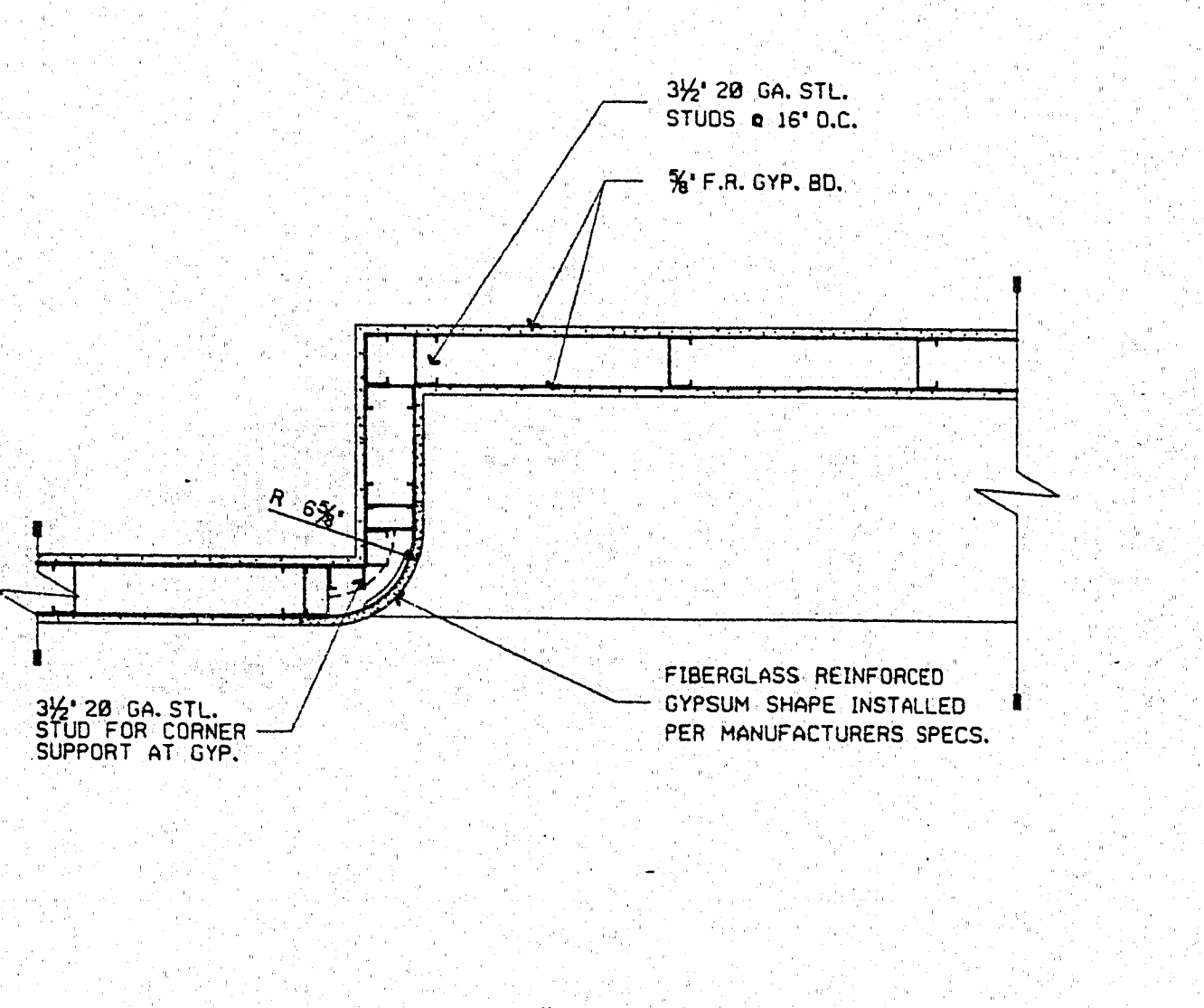
3  
A5.2 DETAIL scale: as noted



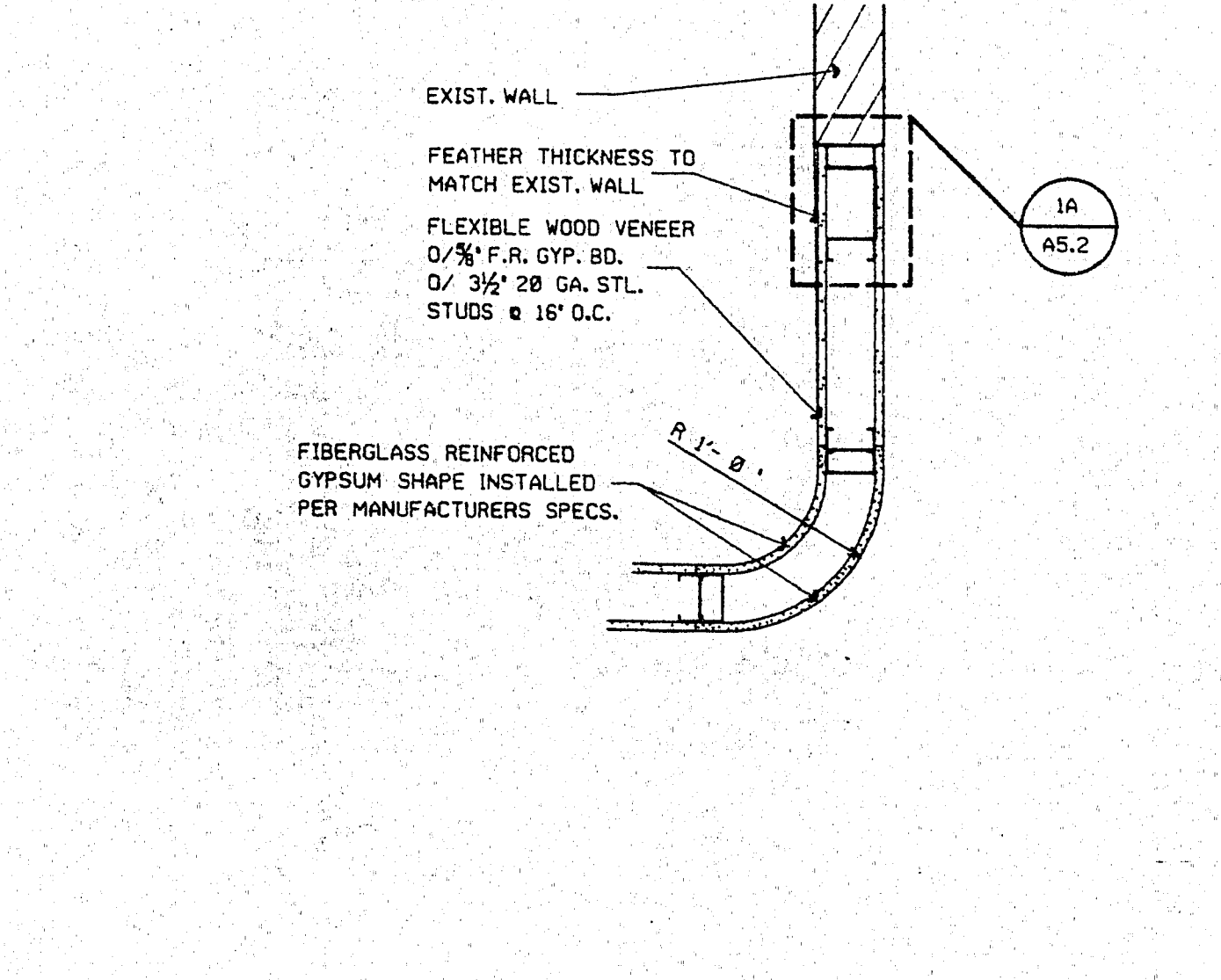
4  
A5.2 DETAIL scale: 1" = 1'-0"



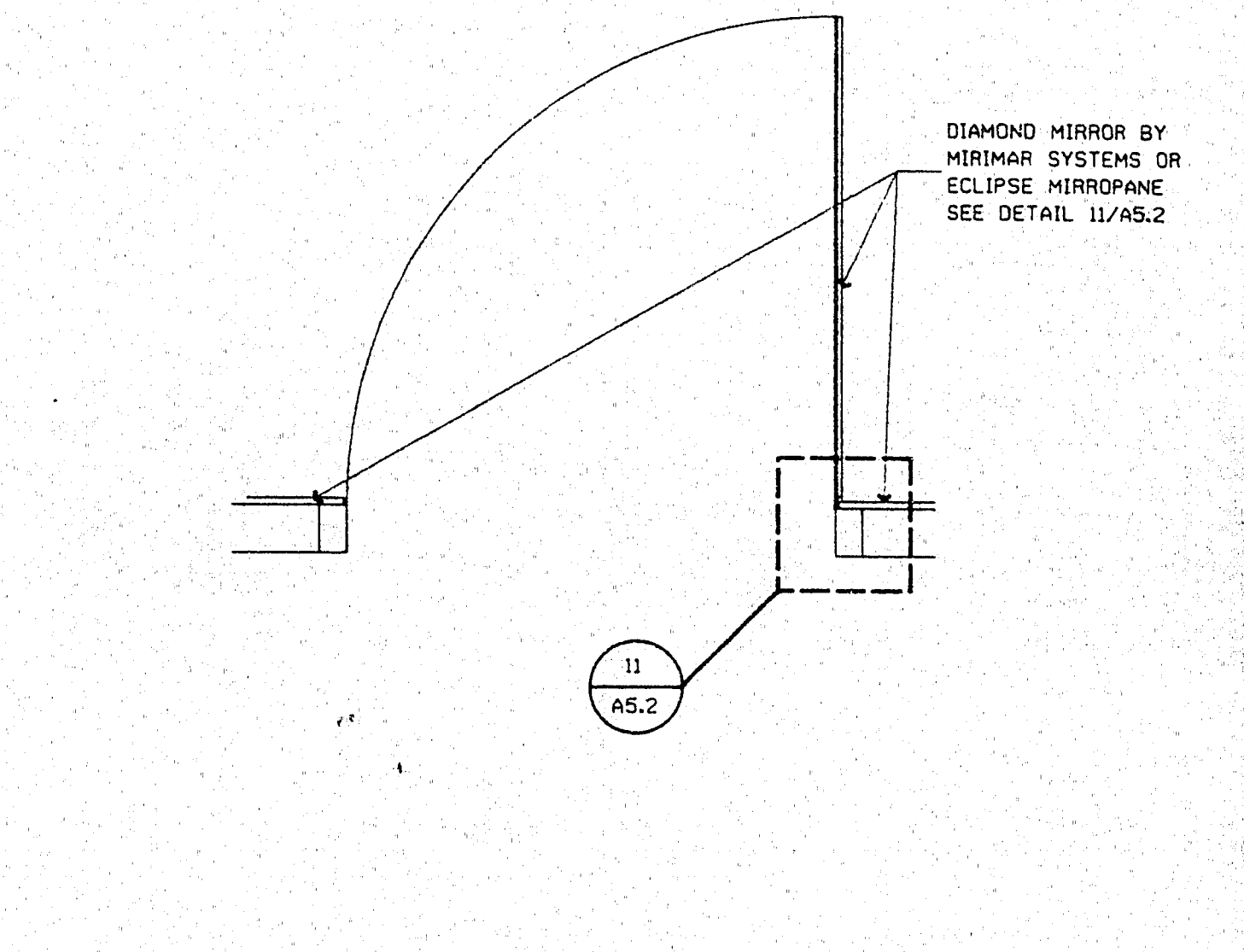
5  
A5.2 DETAIL scale: 1" = 1'-0"



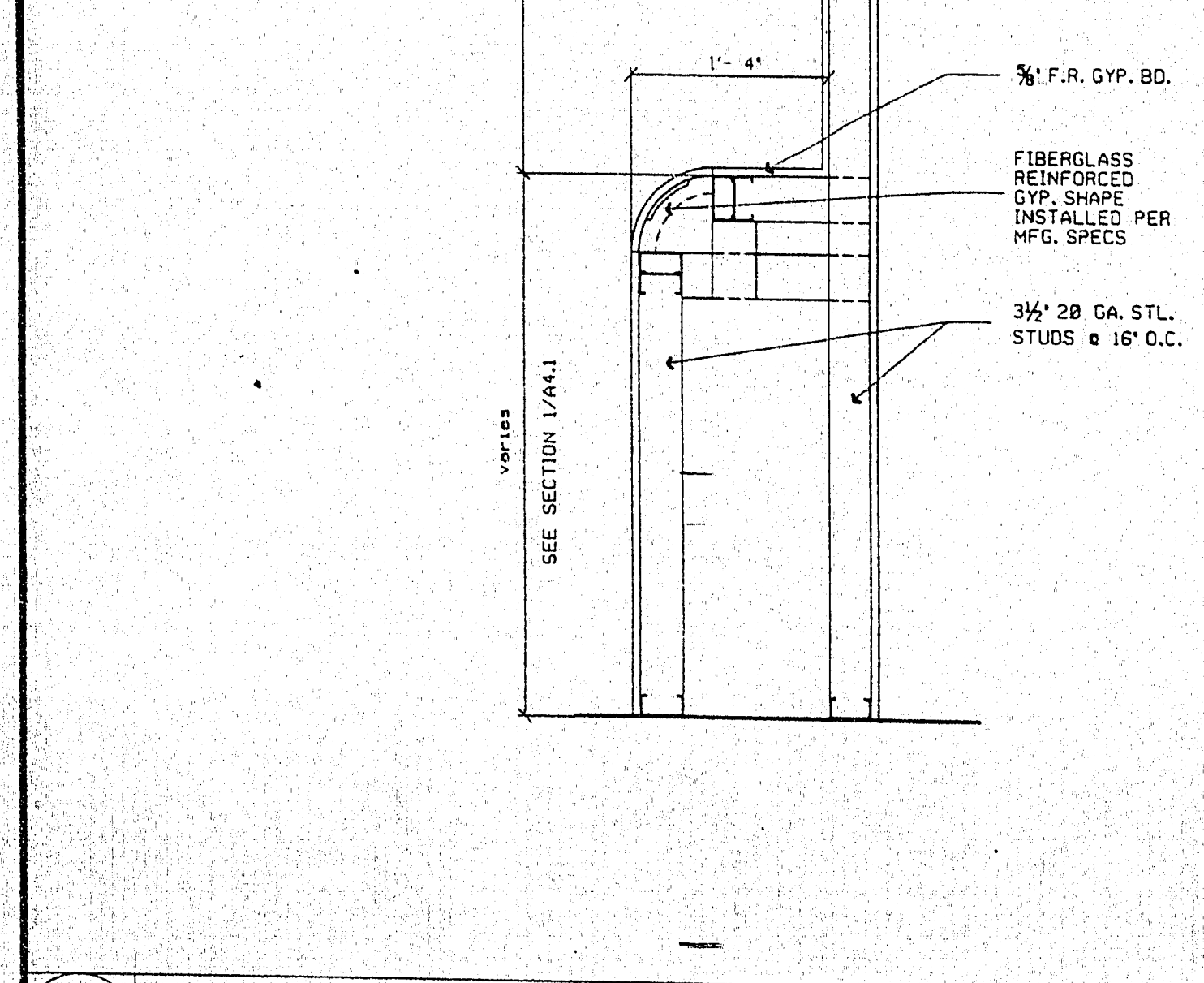
6  
A5.2 DETAIL scale: 1" = 1'-0"



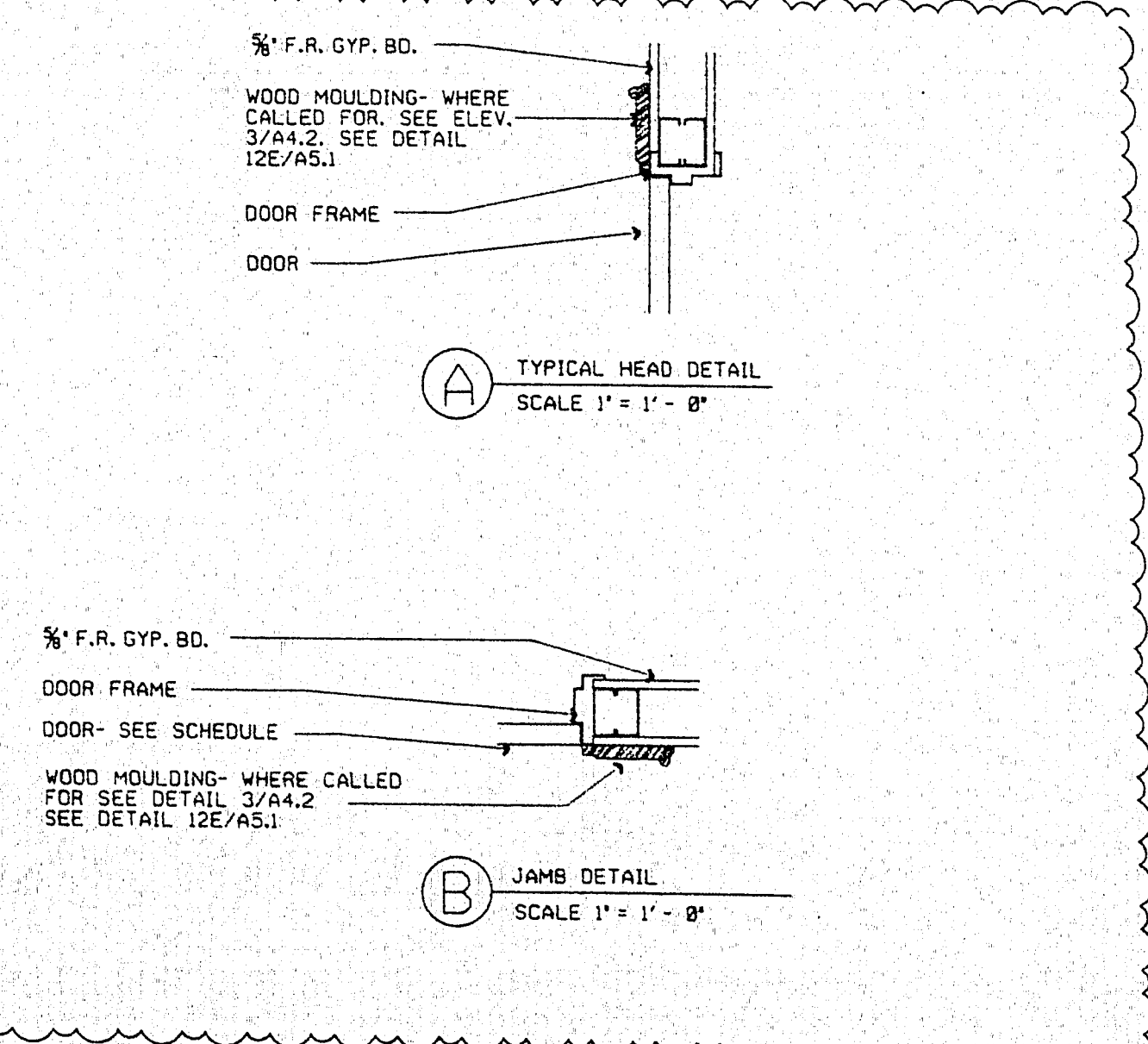
7  
A5.2 DETAIL scale: 1" = 1'-0"



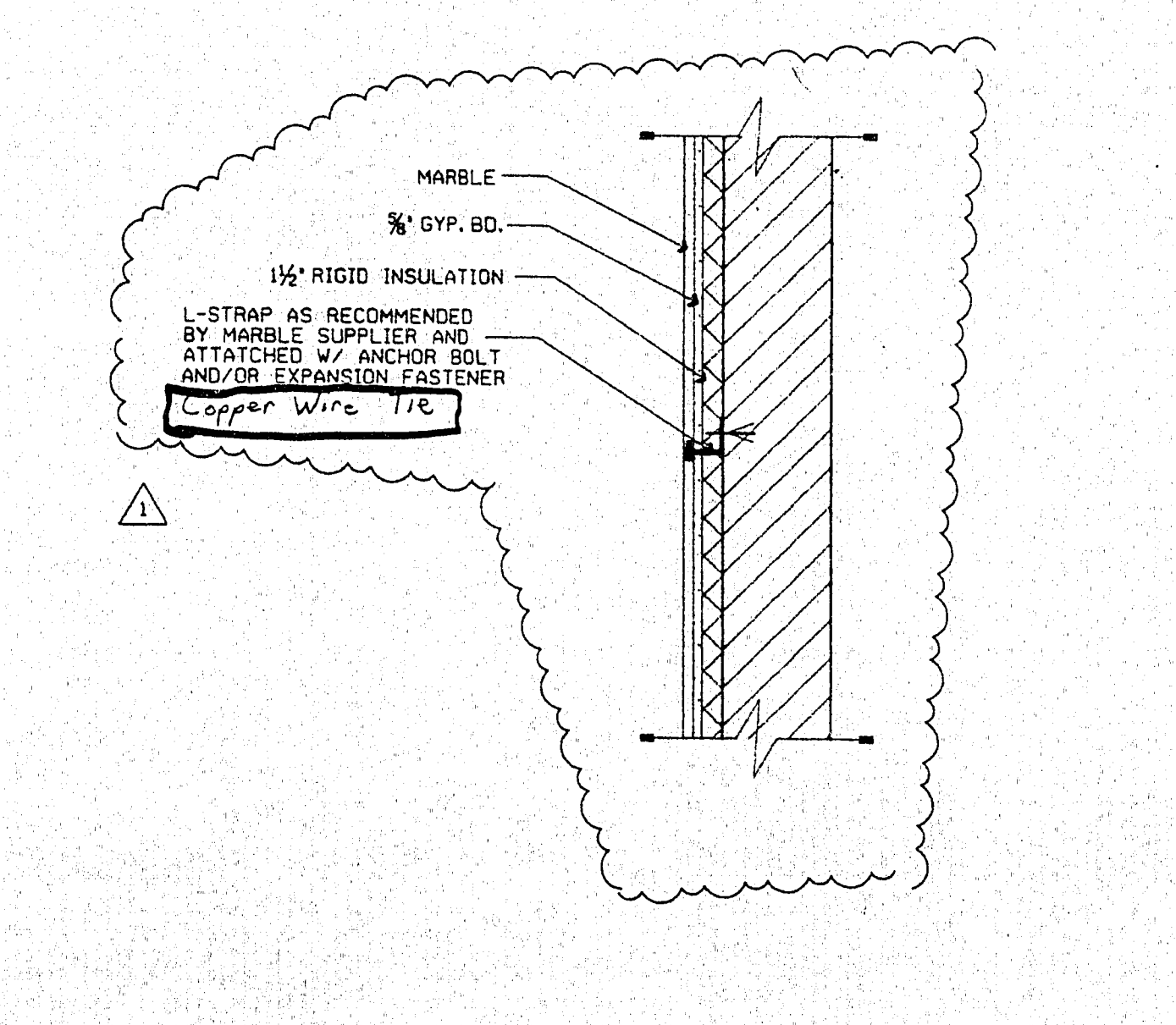
8  
A5.2 DETAIL scale: 1" = 1'-0"



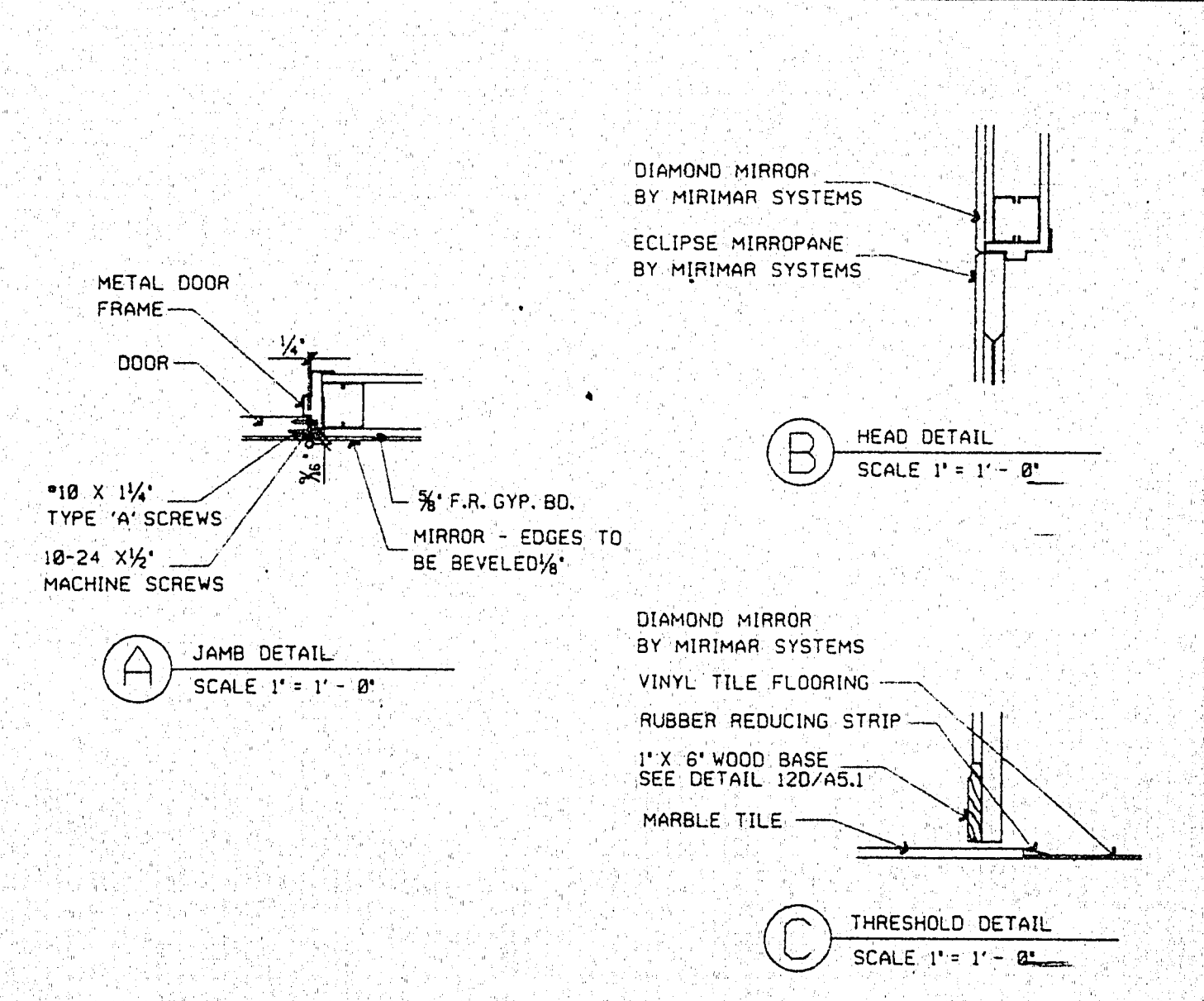
9  
A5.2 DETAIL scale: 1" = 1'-0"



10  
A5.2 DETAIL scale: 1" = 1'-0"



11  
A5.2 DETAIL scale: 1" = 1'-0"



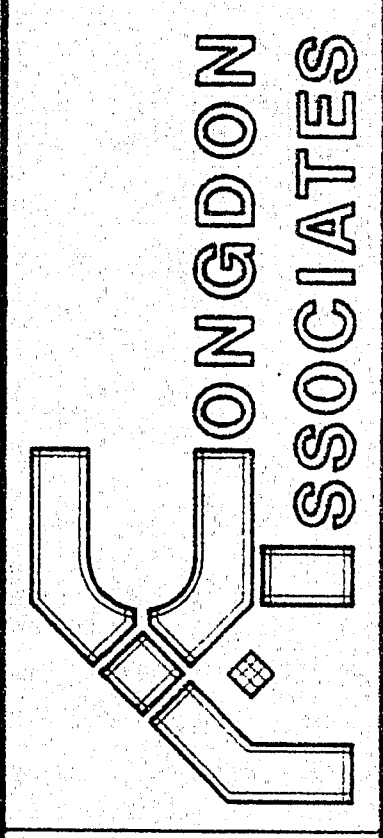
12  
A5.2 DETAIL scale: 1" = 1'-0"

**CONGDON ASSOCIATES**  
 architecture & planning & interiors  
 3311 south Jones boulevard, suite 212a  
 Las Vegas, Nevada, 89102 702-362-3989

REVISIONS:  
 A 82/21/91  
 B 83/11/91  
 C 84/09/91

THESE DRAWINGS AND SPECIFICATIONS ARE THE PROPERTY OF THE ARCHITECT AND MAY NOT BE REPRODUCED OR TRANSMITTED IN ANY FORM OR BY ANY MEANS, ELECTRONIC OR MECHANICAL, WITHOUT THE ARCHITECT'S WRITTEN CONSENT. NO INSTRUMENT OF SERVICE IS BEING ISSUED. NOT VALID UNLESS THEY ARE SIGNATURED AND SEALED BY THE ARCHITECT.

DRAWING TITLE: DETAILS  
 PROJECT: CITY COUNCIL CHAMBERS remodel



PROJECT: 9019  
 DATE: JAN. 21, 1991

DRAWING NO.:  
**A5.2**

PROJECT RECORD 8/29/91