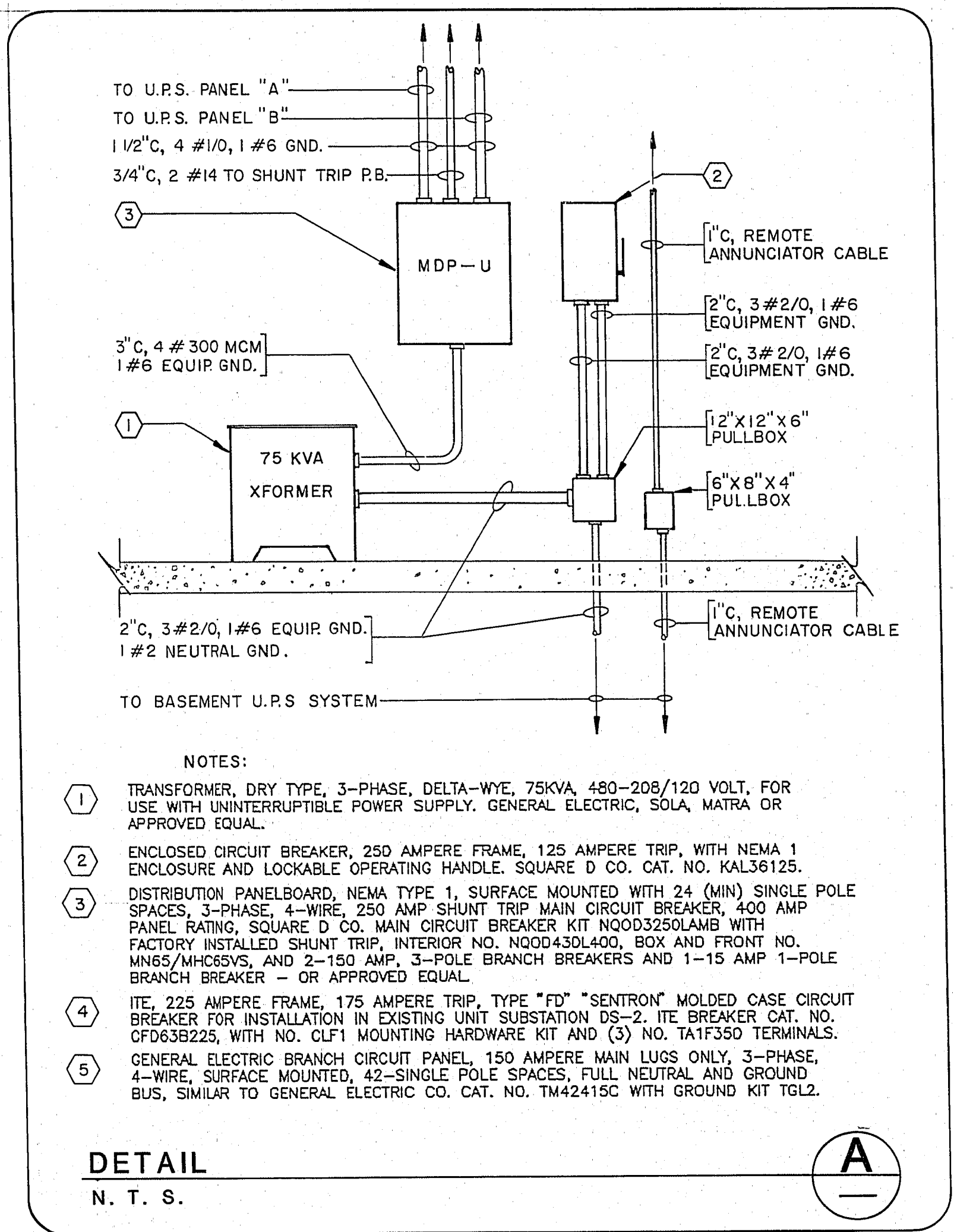
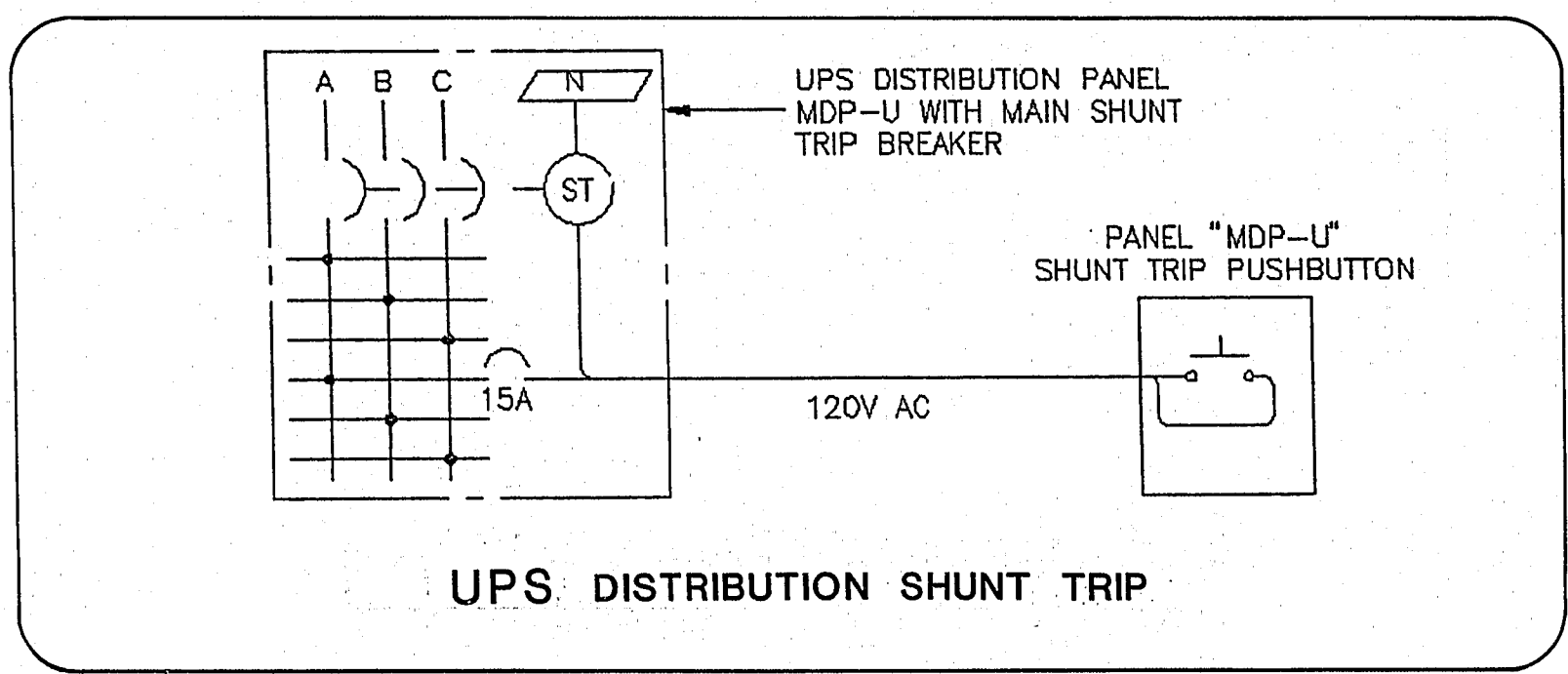


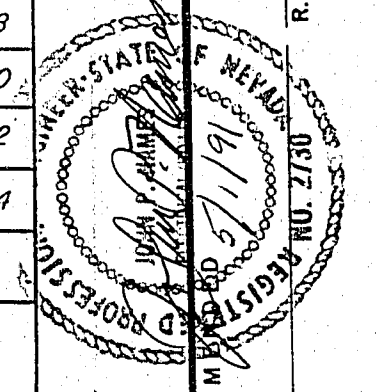
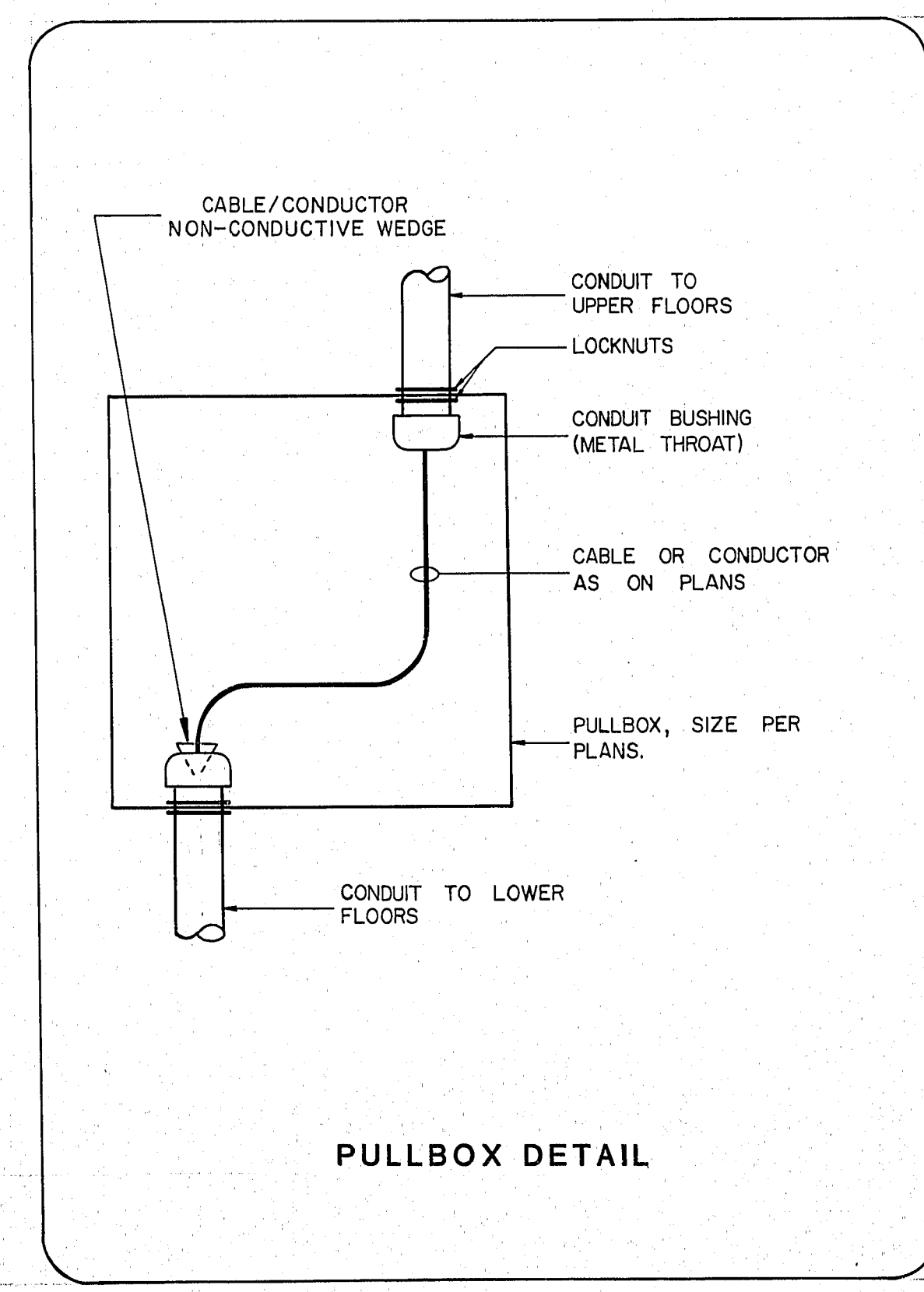
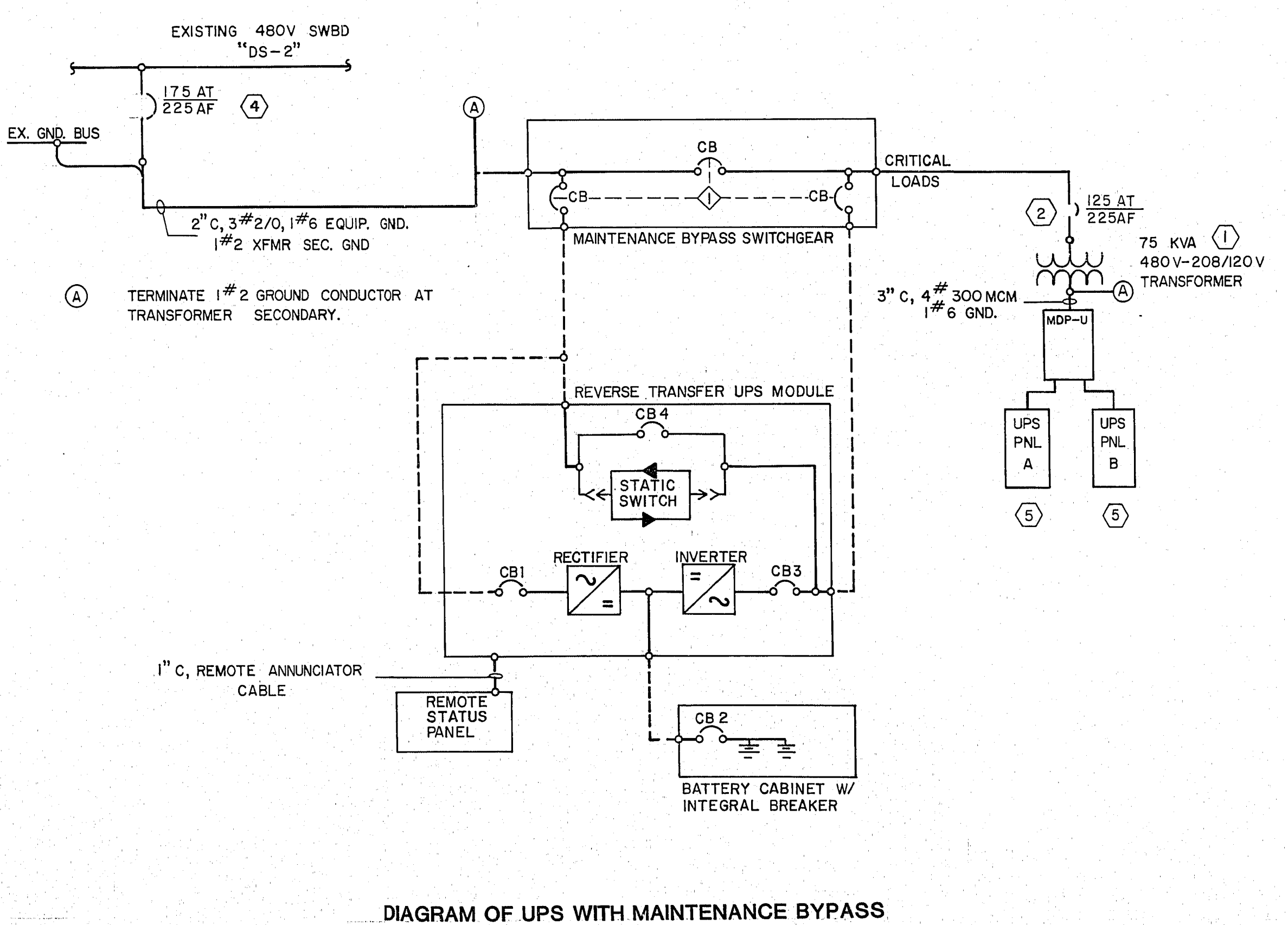
FIFTH FLOOR PLAN
SCALE: 1/8" = 1'-0"



PANEL No. MDP-U		PHASE 3		MAIN 250 A. (SHUNT TRIP)		
VOLTS 208/120				MOUNTING SURFACE		
NEUTRAL				SERVICE UPS DIST.		
MIN. KAIC 10		RMS SYM AMPS		LOCATION 5th FL. ELEC. RM.		
POLE	LOAD DESC.	CKT. BKR.	CONNECTED LOAD	CKT. BKR.	LOAD DESC.	POLE
1	UPS PANEL "A"	150	Ø A Ø B Ø C	150	UPS PANEL "B"	2
3						4
5						6
7	MAIN (MDP-U) SHUNT TRIP	15	60	3		8
9						10
11						12
13						14
15						16
17						18
19						20
21						22
23						24



ELECTRICAL LEGEND			
SYMBOL	DESCRIPTIONS	REMARKS	
A	A = REFERENCE TO LIGHTING FIXTURE SCHEDULE		
3	3 = LIGHTING PANEL CIRCUIT NUMBER		
⊕	⊕ = SWITCH ASSOCIATED WITH FIXTURE CONTROL		
⊕	1' x 4' FLUORESCENT FIXTURE, SURFACE MOUNTED		
⊕	LUMINAIRE, CEILING MOUNTED		
⊕	LUMINAIRE, EXTERIOR WALL MOUNTED		
⊕	HAZARD LIGHT (RED)		
⊕	HAZARD LIGHT / HORN (AMBER)		
⊕	CHLORINE ALARM / HORN		
⊕	EMERGENCY LIGHTING		
⊕	DUPLEX RECEPTACLE		
⊕	DUPLEX RECEPTACLE, WEATHERPROOF, GROUND FAULT TYPE		
⊕	SINGLE POLE SWITCH		
⊕	THREE-WAY SWITCH		
⊕	FOUR-WAY SWITCH		
⊕	MANUAL MOTOR STARTER		
⊕	KEY SWITCH, INTRUDER DETECTION SYSTEM		
A-1,3	CONDUIT HOMERUN, A= PANEL, 1 & 3 ARE CIRCUIT NUMBERS		
---	CONDUIT RUN UNDER FLOOR, OR GROUND		
---	CONDUIT RUN INTERRUPTED		
---	CONDUIT, TURNED UP, TOWARD VIEWER		
---	CONDUIT, TURNED DOWN, AWAY FROM VIEWER		
---	CROSSHATCHING INDICATES COUNTS OF No. 12 CONDUCTORS IF MORE THAN 3. NO CROSSHATCHING INDICATES 2 No. 12 AND 1 No. 12 GROUND. LONG HATCH IS A NEUTRAL AND / IS GROUND CONDUCTOR		



G.C. WALLACE, INC.
Engineering/Architecture
1555 SOUTH RAINBOW BLVD., LAS VEGAS, NEVADA 89102

CITY OF LAS VEGAS
UNINTERRUPTIBLE POWER SUPPLY

SHEET
2
OF 2 SHEETS

JOB NO. 397.745