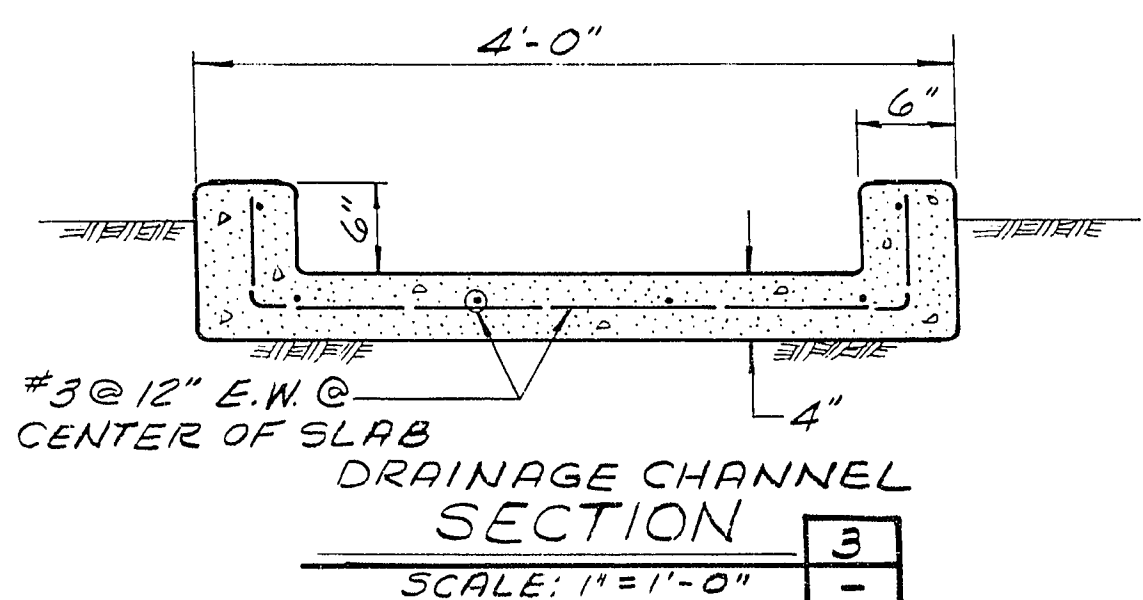
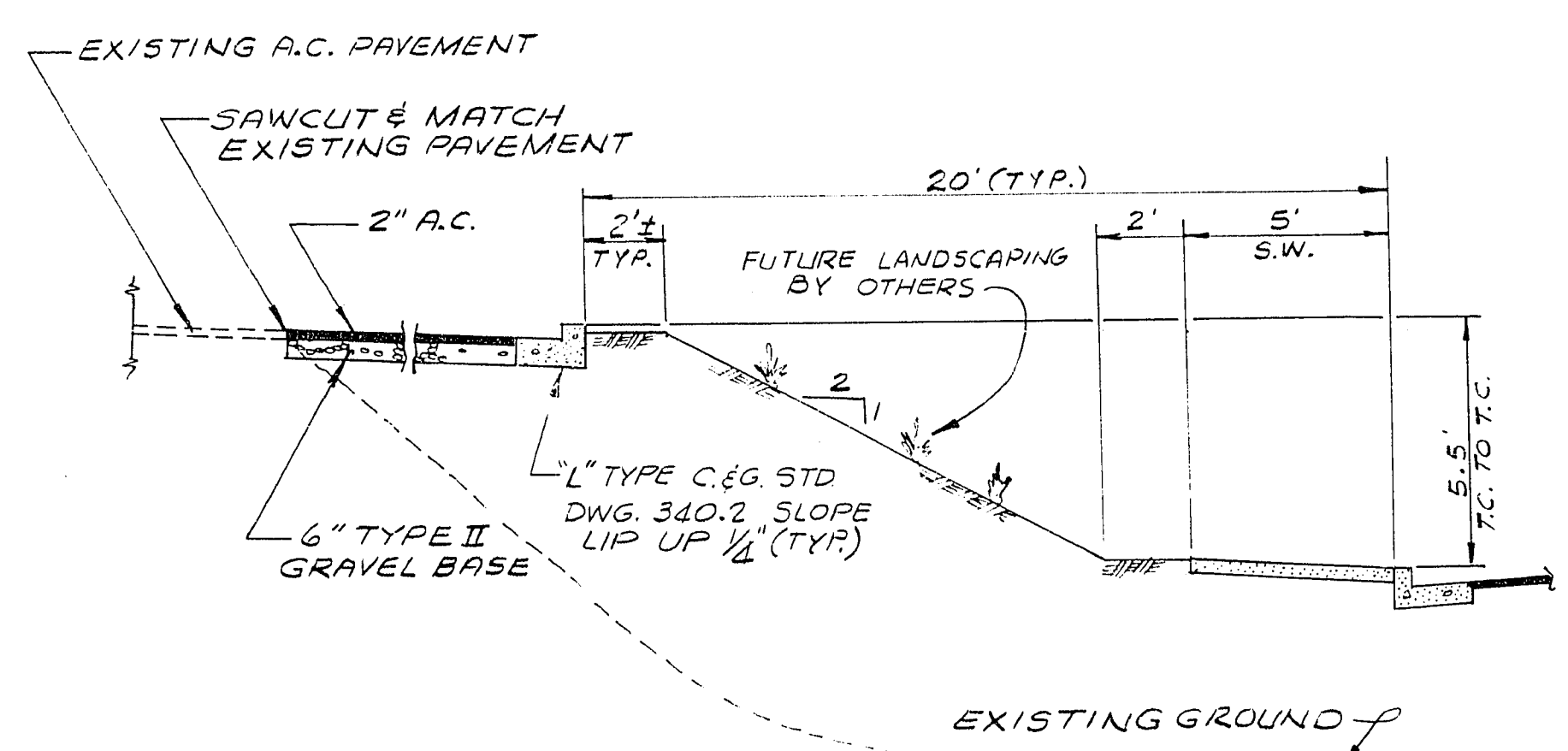


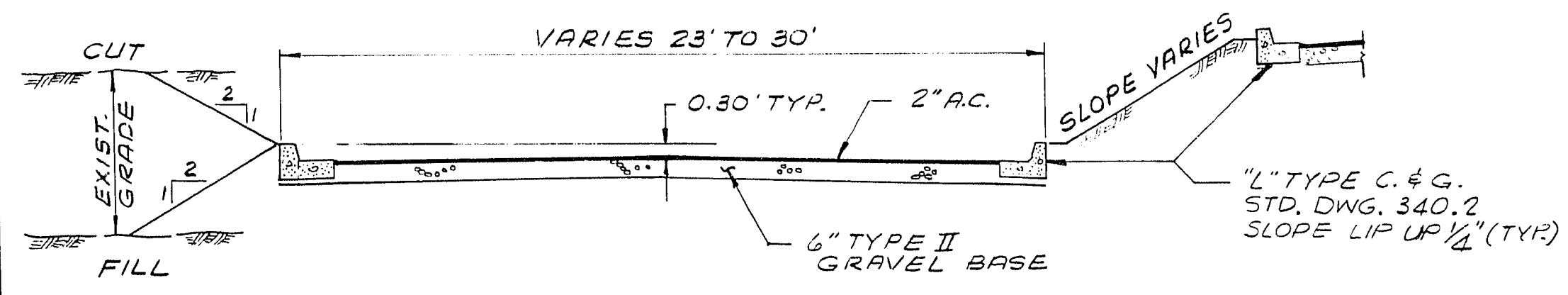
DETAIL A  
SCALE: 1/2" = 1'-0"



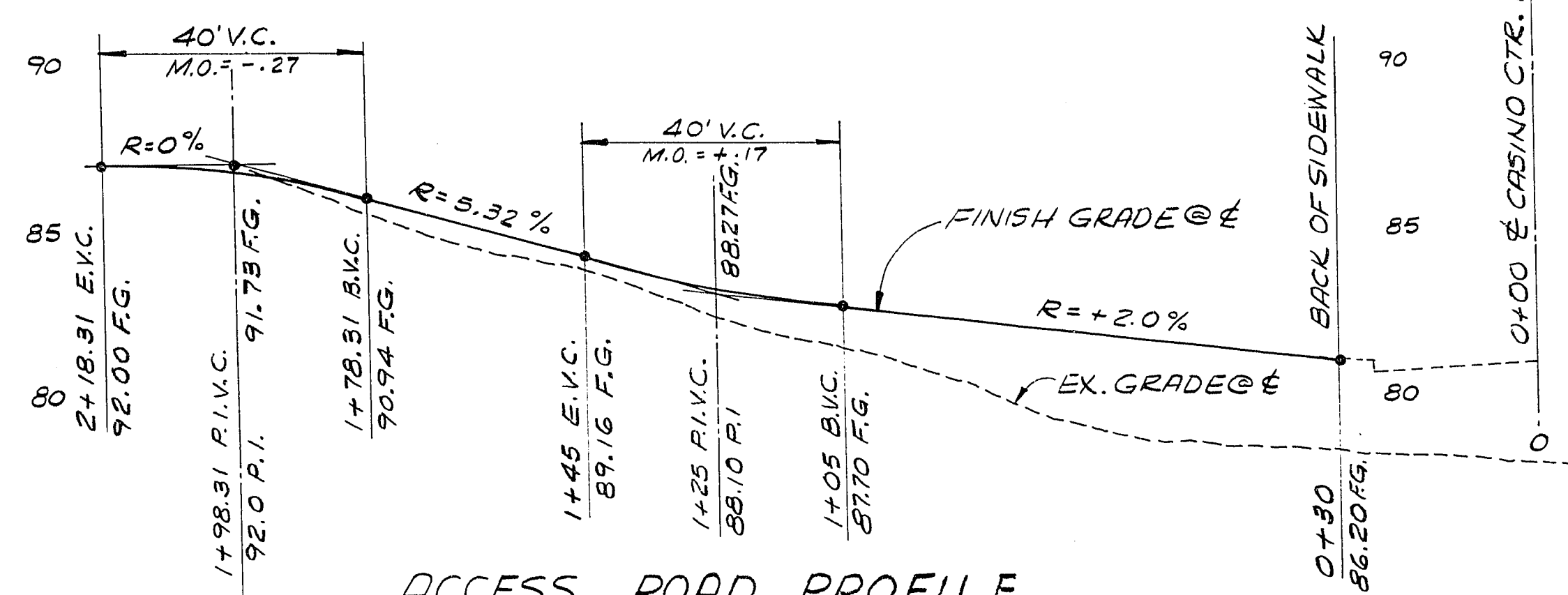
SECTION 3  
SCALE: 1" = 1'-0"



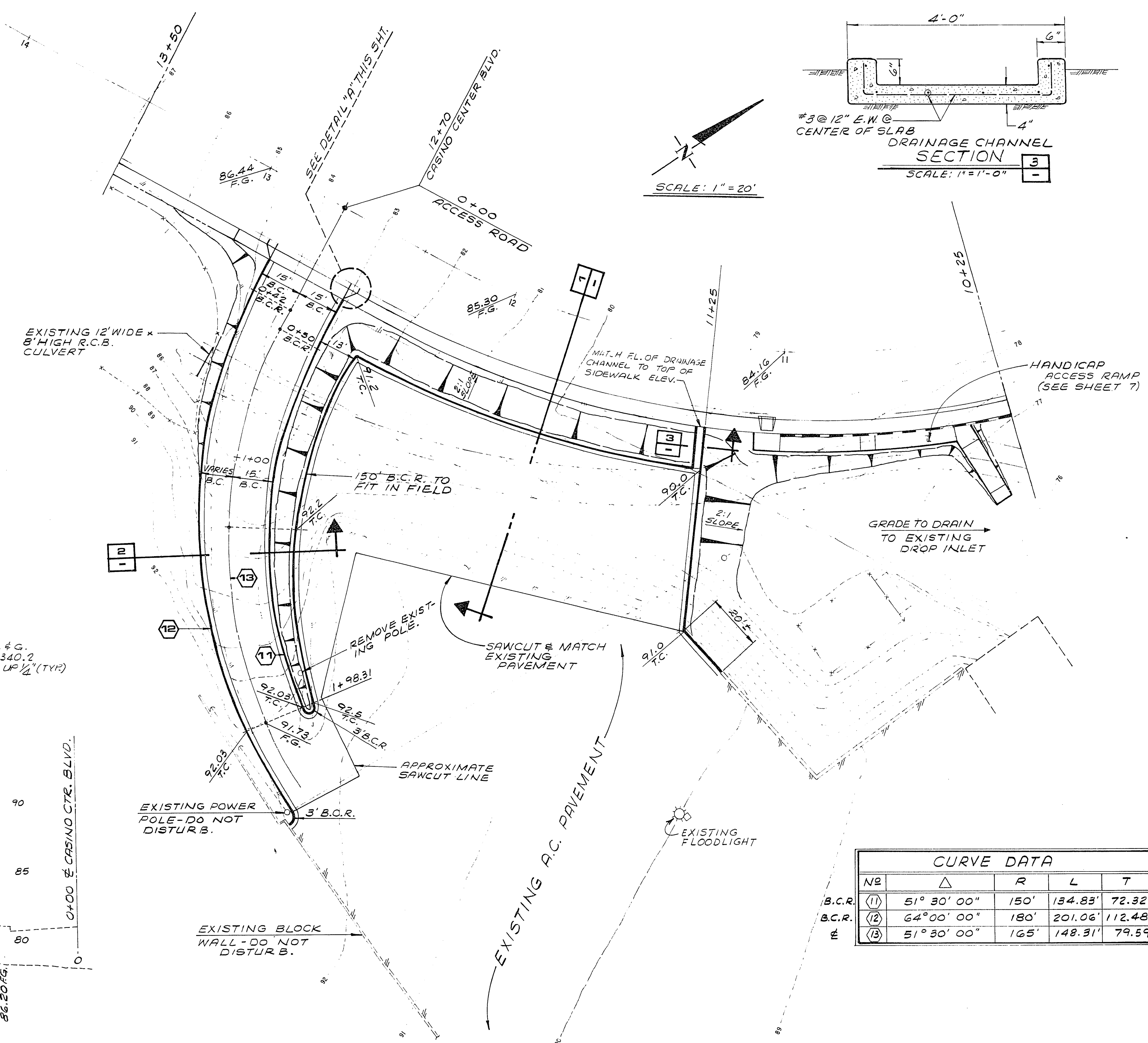
SECTION 1  
SCALE: 1/4" = 1'-0"



SECTION 2  
SCALE: 1/4" = 1'-0"



ACCESS ROAD PROFILE  
SCALE: HORIZ: 1" = 20'  
VERT: 1" = 4"



CURVE DATA				
NO	Δ	R	L	T
B.C.R. (11)	51° 30' 00"	150'	134.83'	72.32'
B.C.R. (12)	64° 00' 00"	180'	201.06'	112.48'
B.C.R. (13)	51° 30' 00"	165'	148.31'	79.59'

DESIGNED: R. THOMAS	SUBMITTED: _____
DRAWN: S. HOSTETTER	RECOMMENDED: <i>Kiliani J. Schmitt</i>
CHECKED: G.S.	DATE: 2315 10-26-77

**MONTGOMERY ENGINEERS OF NEVADA**  
1100 EAST SAHARA AVENUE, LAS VEGAS, NEVADA 89105

APPROVED: _____	DATE: _____
APPROVED: _____	DATE: _____

CITY OF LAS VEGAS  
CULTURAL SERVICES COMPLEX - PHASE I  
PARKING LOT & ACCESS ROAD IMPROVEMENTS

SHEET 10 OF 10 SHEETS

JOB NO. 5558.0001 FILE DP 576

6-95