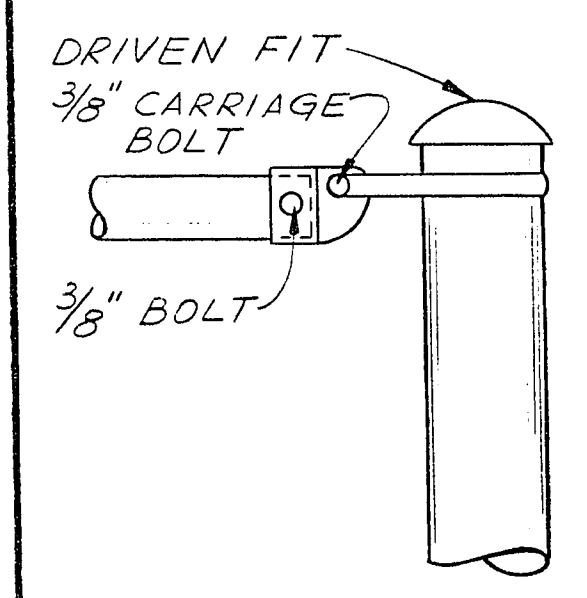
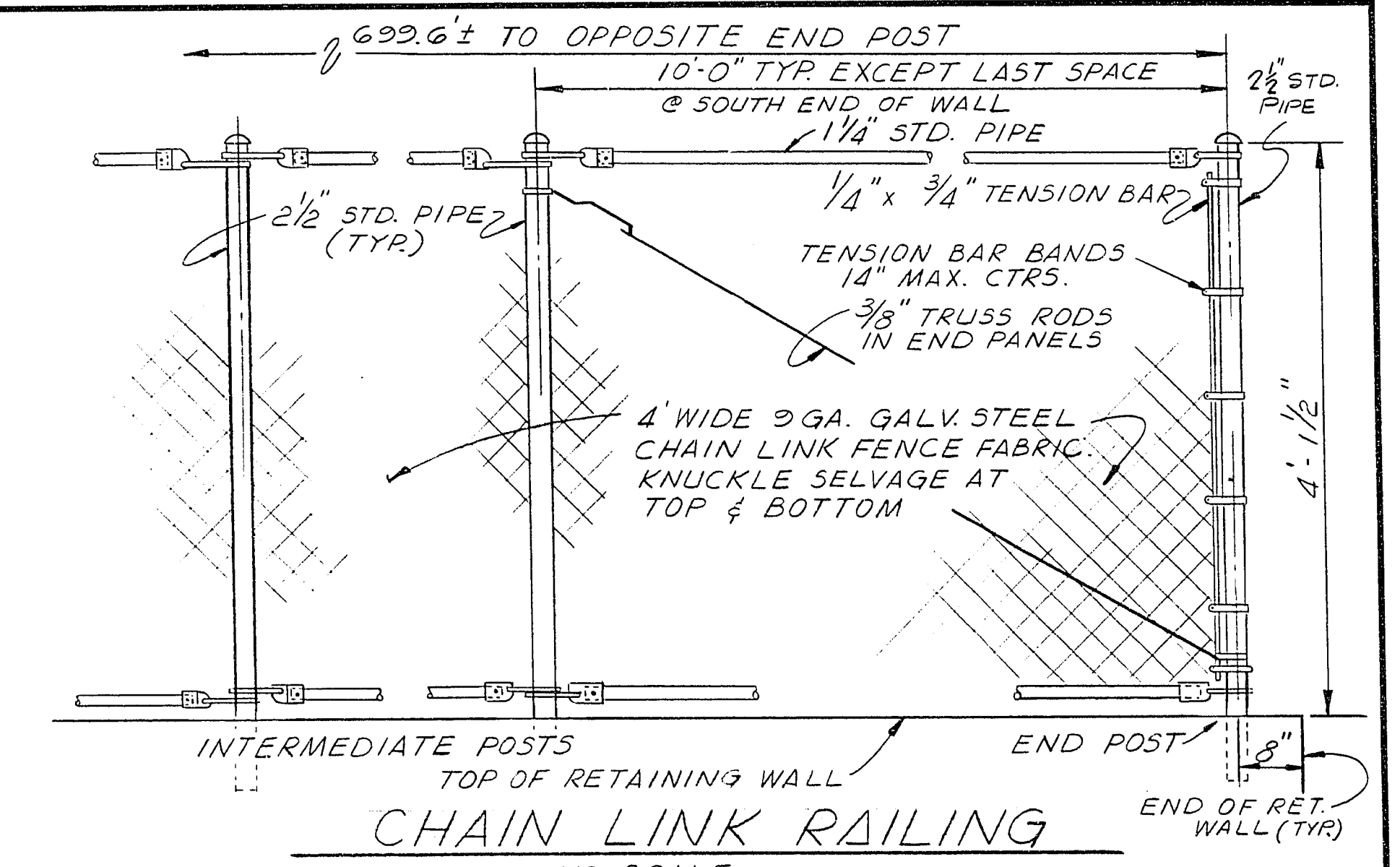
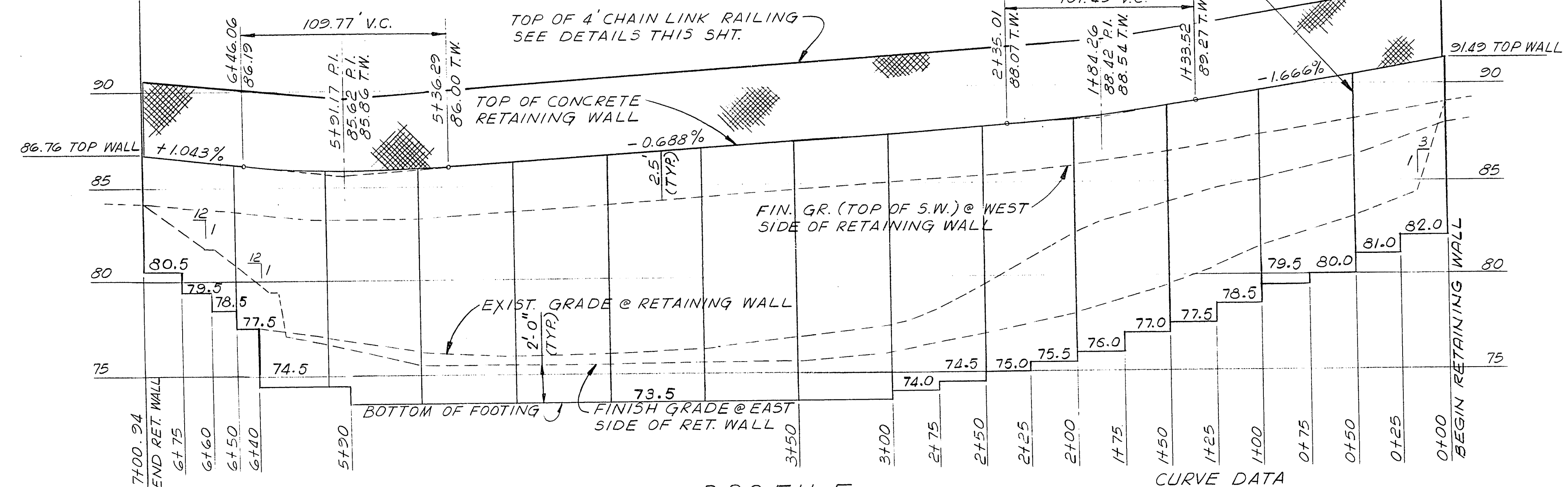
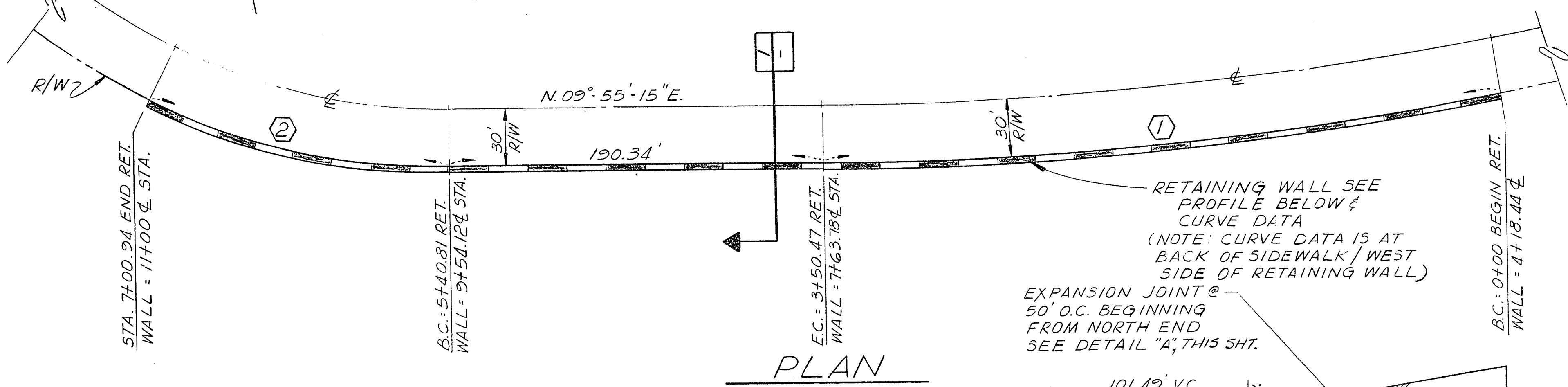
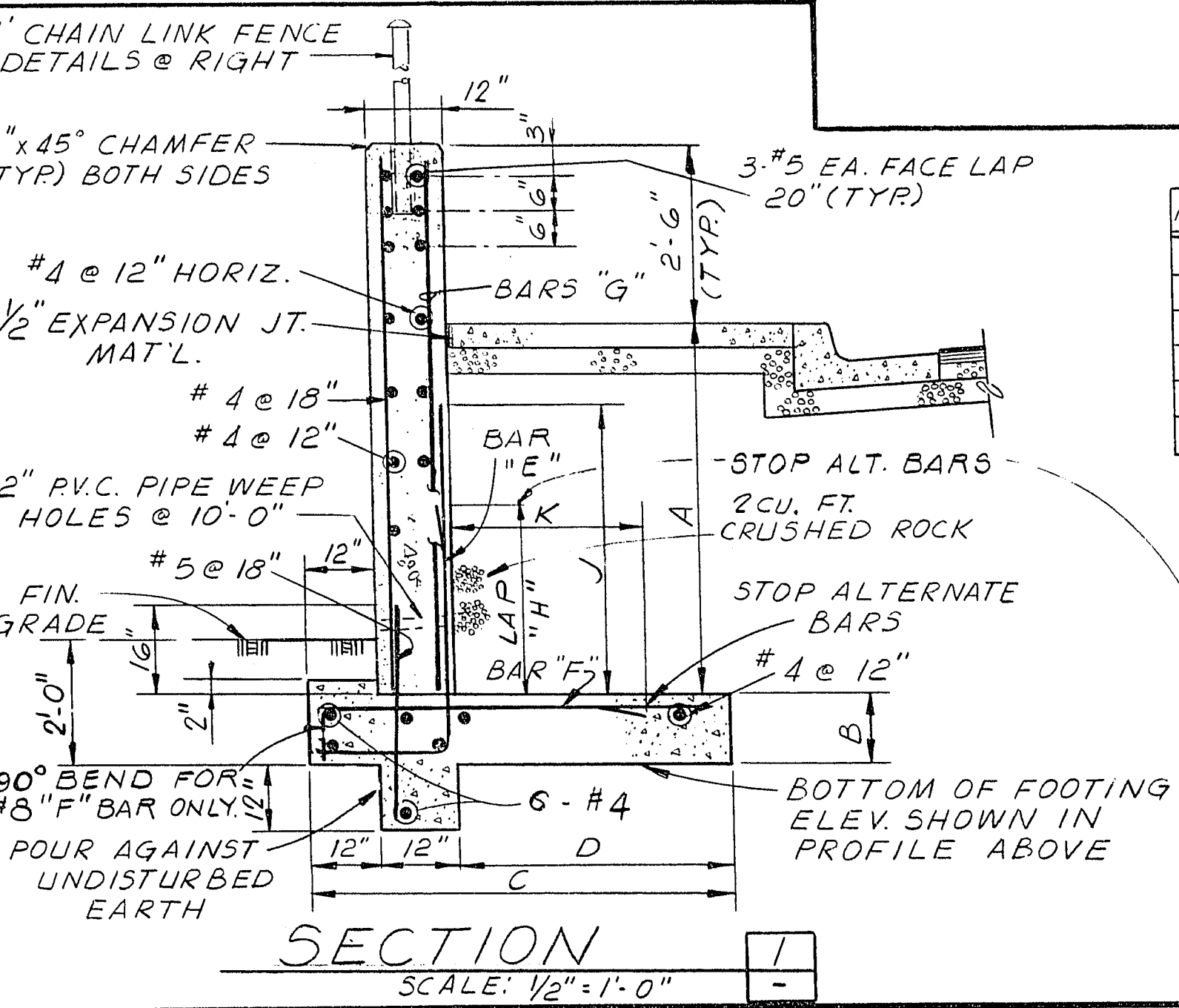


CASINO CENTER BLVD.



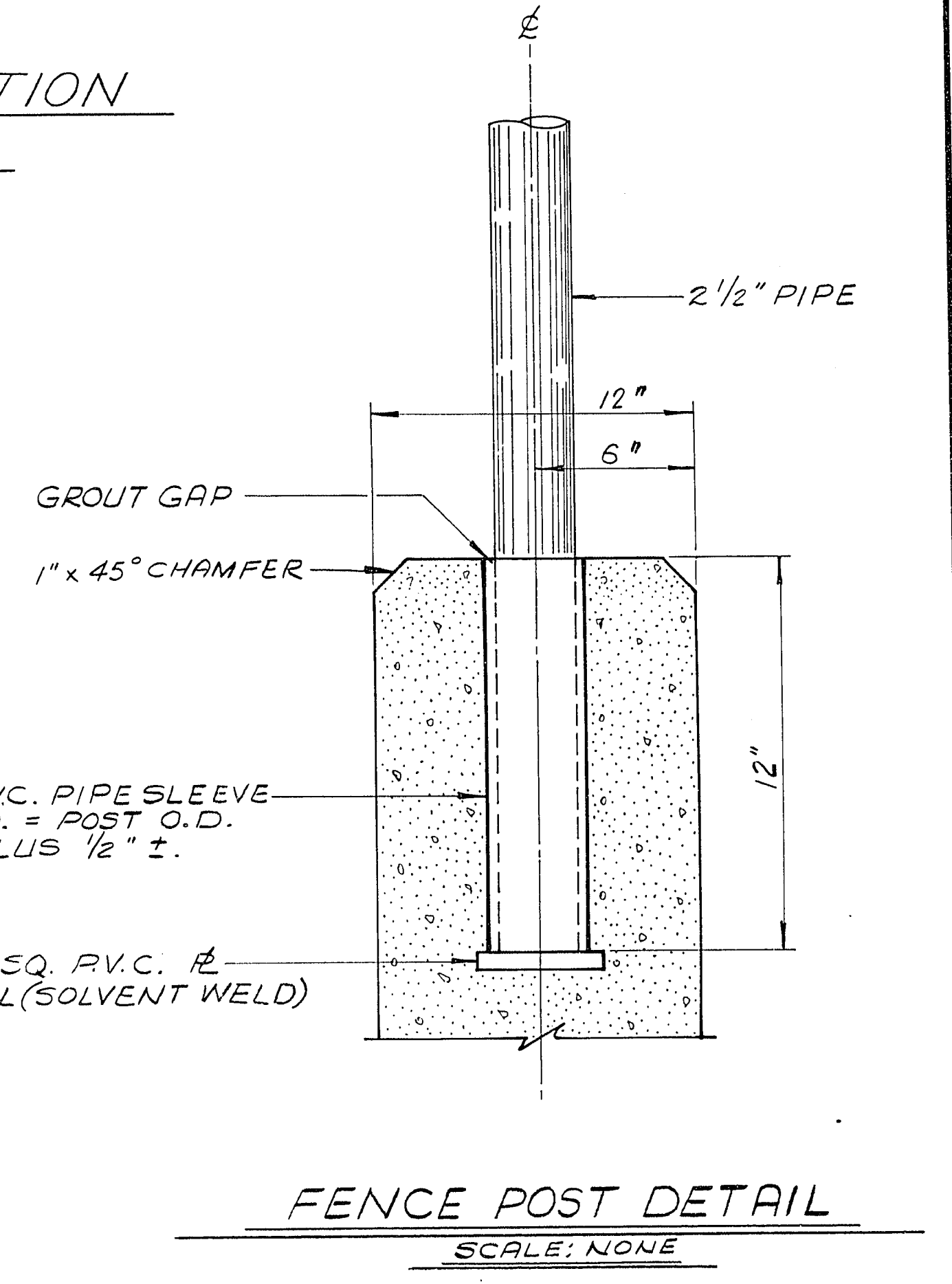
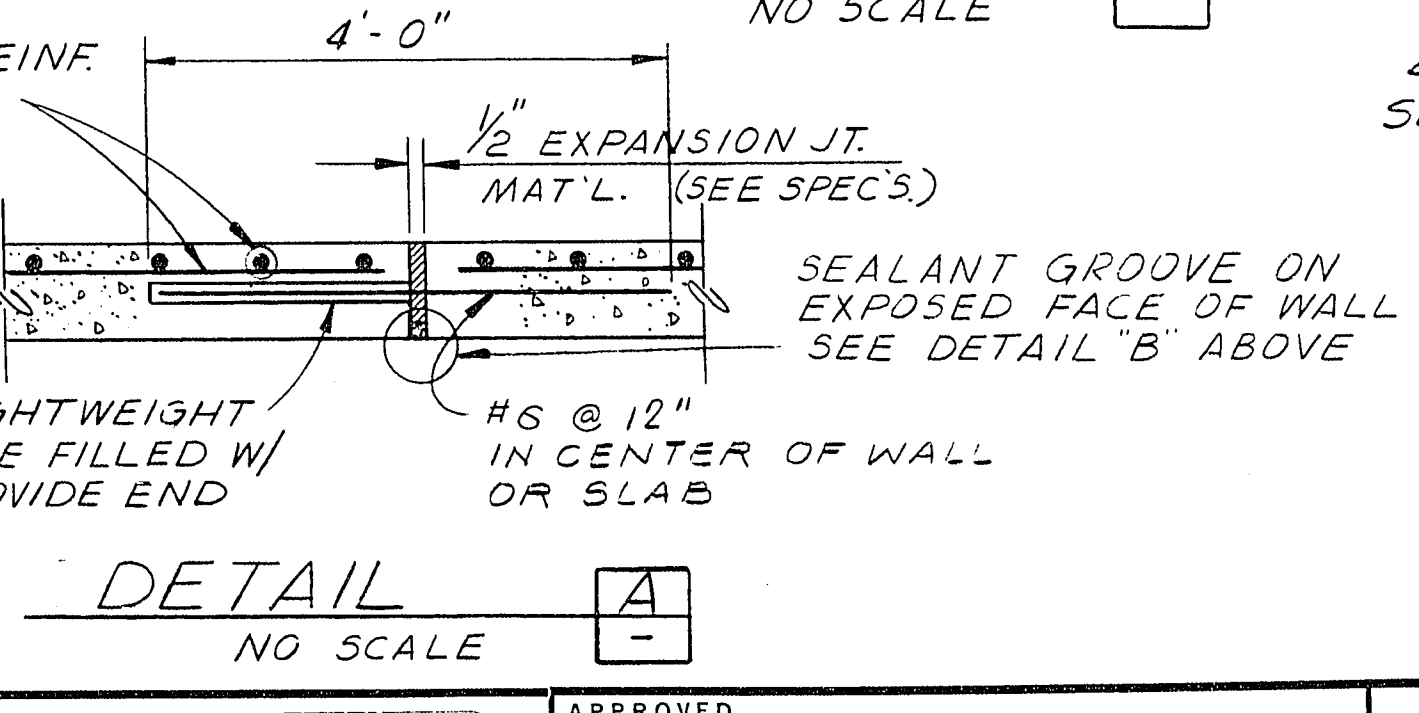
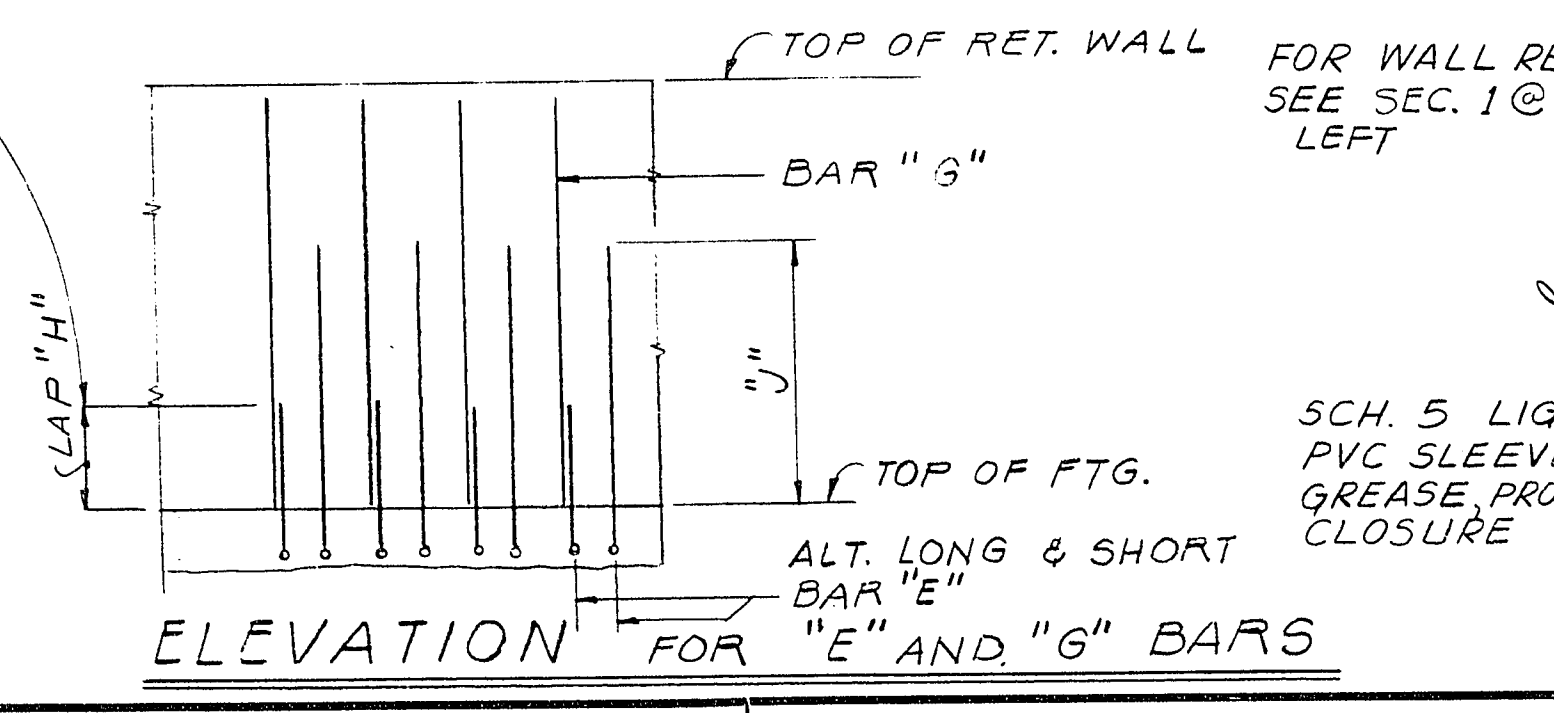
TYP. CONNECTION DETAIL

NO SCALE



RETAINING WALL REINFORCING

HGT.	FOOTING DIMENSIONS				REINFORCING STEEL							
A	B	C	D	BAR "E"	BAR "F"	BAR "G"	LAP "H"	J	K			
5'-6"	12"	7'	5'	#5 @ 7"	#5 @ 7"	#5 @ 14"	20"	5'-6"	3'-5"			
7'-6"	12"	8'	6'	#6 @ 7"	#6 @ 7"	#6 @ 14"	22"	5'-6"	3'-0"			
8'-6"	12"	9'	7'	#6 @ 6"	#6 @ 6"	#6 @ 12"	22"	5'	4'-6"			
9'-6"	12"	11'	9'	#7 @ 6"	#7 @ 6"	#7 @ 12"	31"	5'	5'-6"			
10'-6"	12"	12'	10'	#8 @ 7"	#8 @ 6"	#8 @ 14"	39"	6'	6'-6"			



DESIGNED: R. THOMAS / P. RAYMOND DRAWN: D. S. BARRON CHECKED: G.S.	SUBMITTED: 23/5 10.26.77 R.C.E. NO. DATE	MONTGOMERY ENGINEERS OF NEVADA 1100 EAST SAHARA AVENUE, LAS VEGAS, NEVADA 89105	APPROVED: _____ DATE: _____ APPROVED: _____ DATE: _____	CITY OF LAS VEGAS CULTURAL SERVICES COMPLEX - PHASE I RETAINING WALL PLAN & DETAILS	SHEET 8 OF 10 SHEETS
--	---	---	--	--	-----------------------------------

JOB NO. 5568.0001 FILE DP 956

6.93