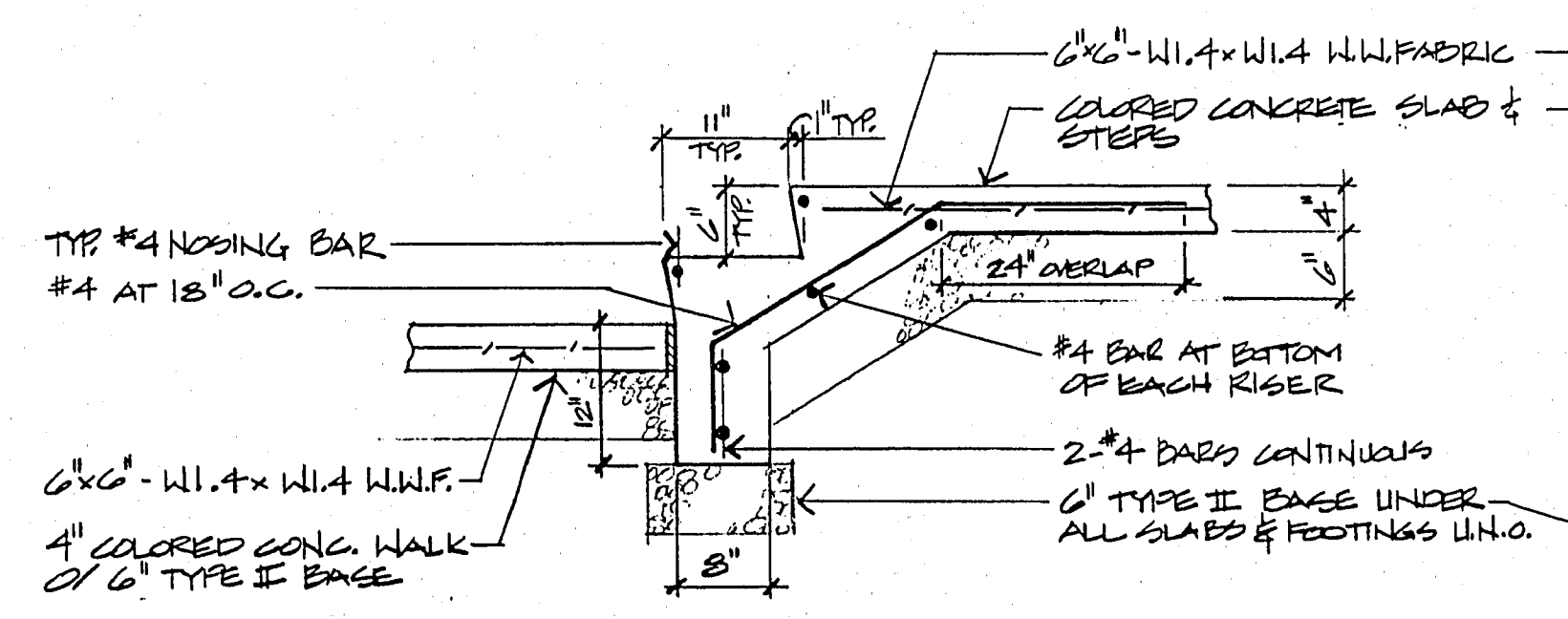
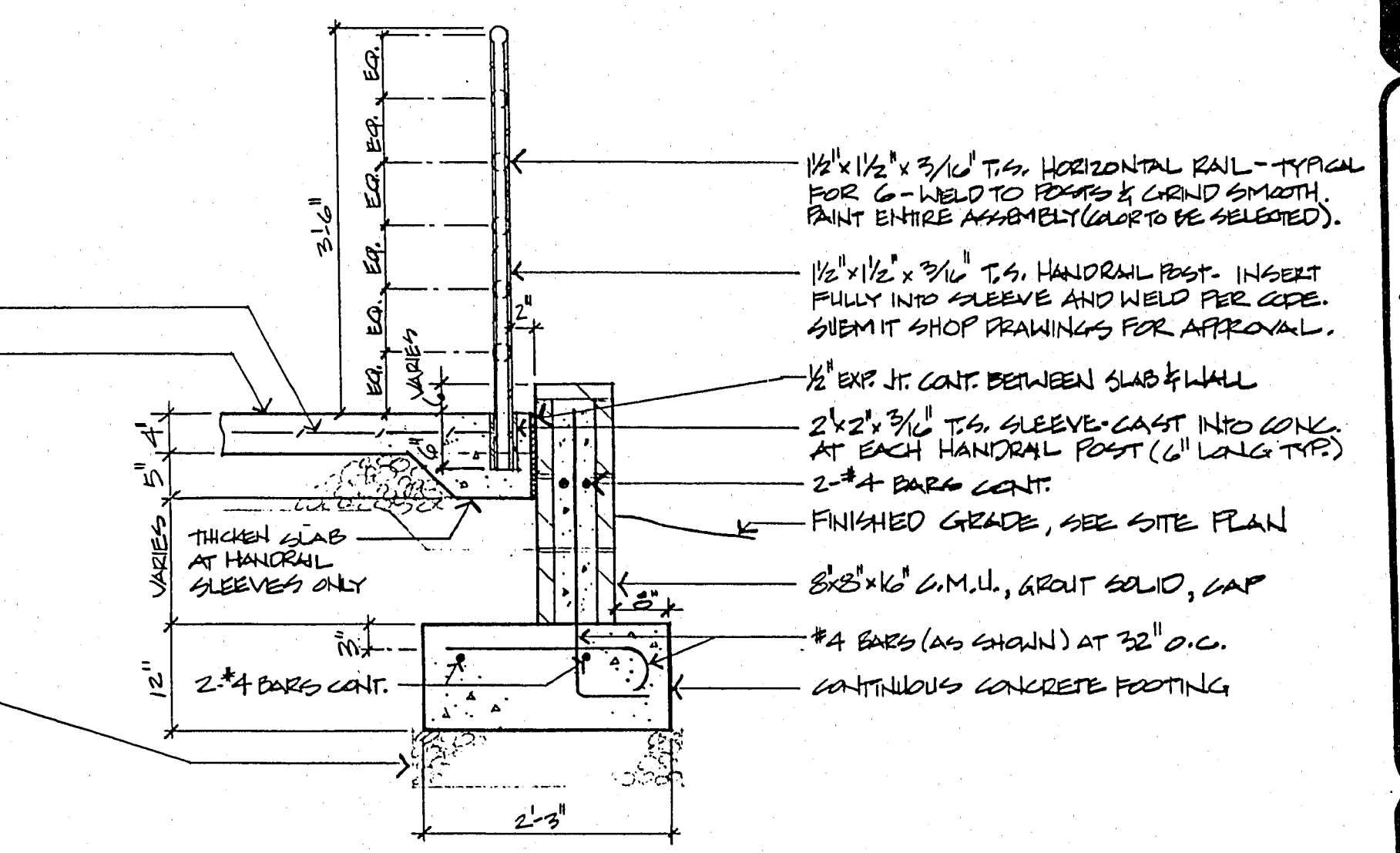


A TACK-ON CONCRETE CURB (TYPICAL)

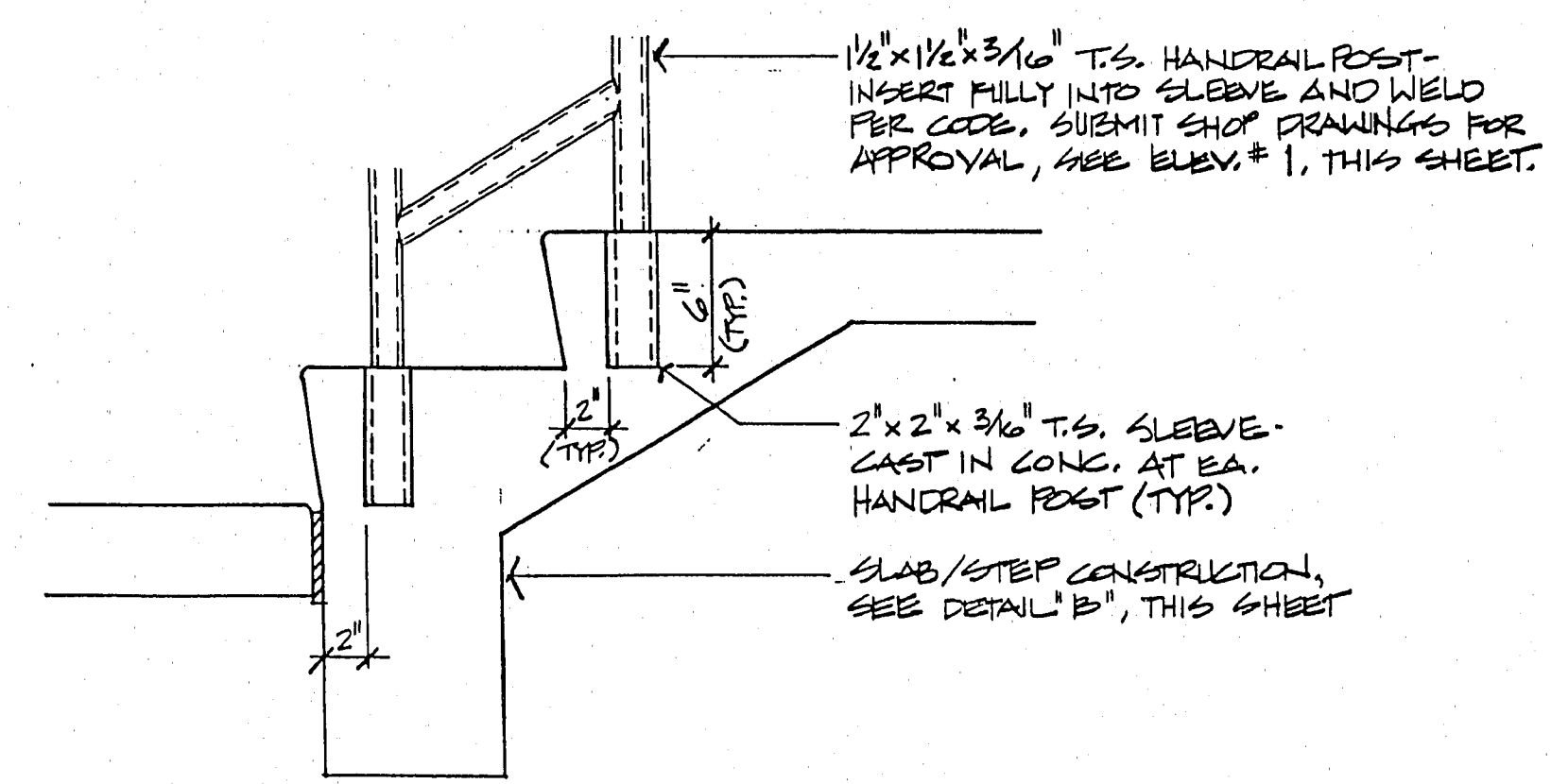
NOTES:
 1. COLORED CONCRETE COLOR TO BE SELECTED BY OWNER
 2. STEP NOSINGS TO RECEIVE 1" RADIUS ROUNDED EDGE



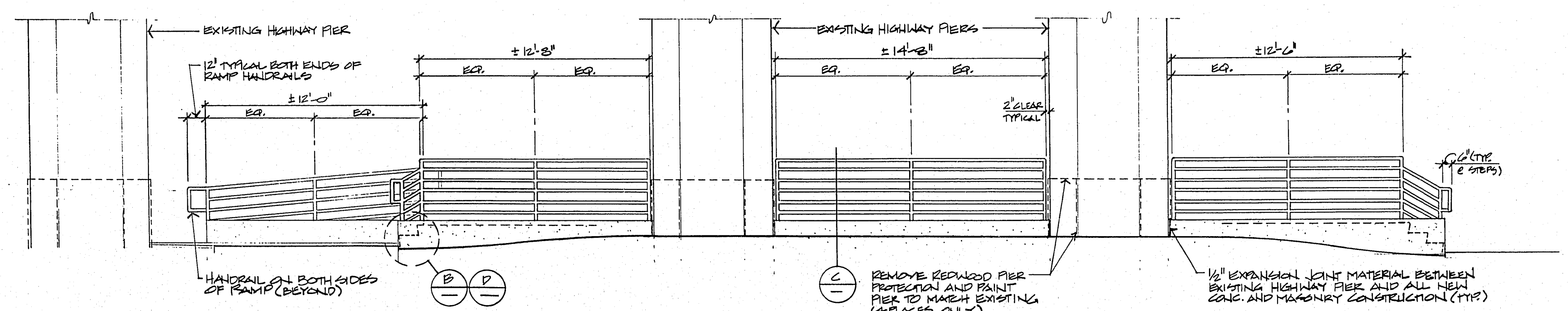
B SECTION AT STEPS



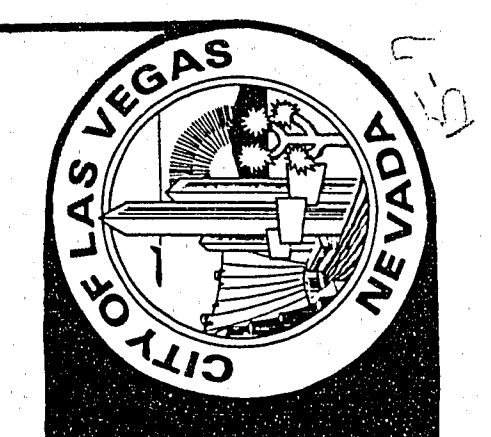
C SECTION AT PLANTER WALL/HANDRAIL



D HANDRAIL MOUNTING AT STEPS
 SIMILAR FOR BOTH SIDES OF ALL STEPS

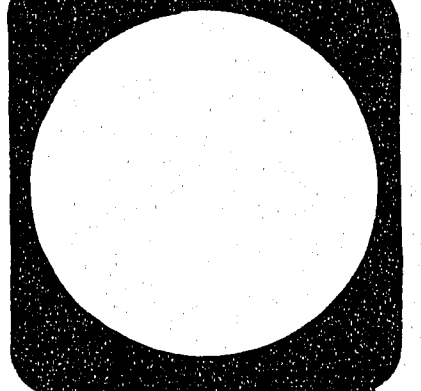


1 PLANTER WALL/HANDRAIL ELEVATION



City of Las Vegas, Nevada
Department of Design and Development
 Thomas B. Graham, AICP, PLA, Director
 INTERIOR DESIGN DIVISION
 DESIGN BY: JEFF JACOB
 SCALE: AS SHOWN
 DATE: 11-90

REVISIONS	DATE



CITY HALL EXPANSION BUILDING
 SITE DETAILS

PROJECT NO.
 DRAWING NO. 521-212
 SHEET 3 OF 17