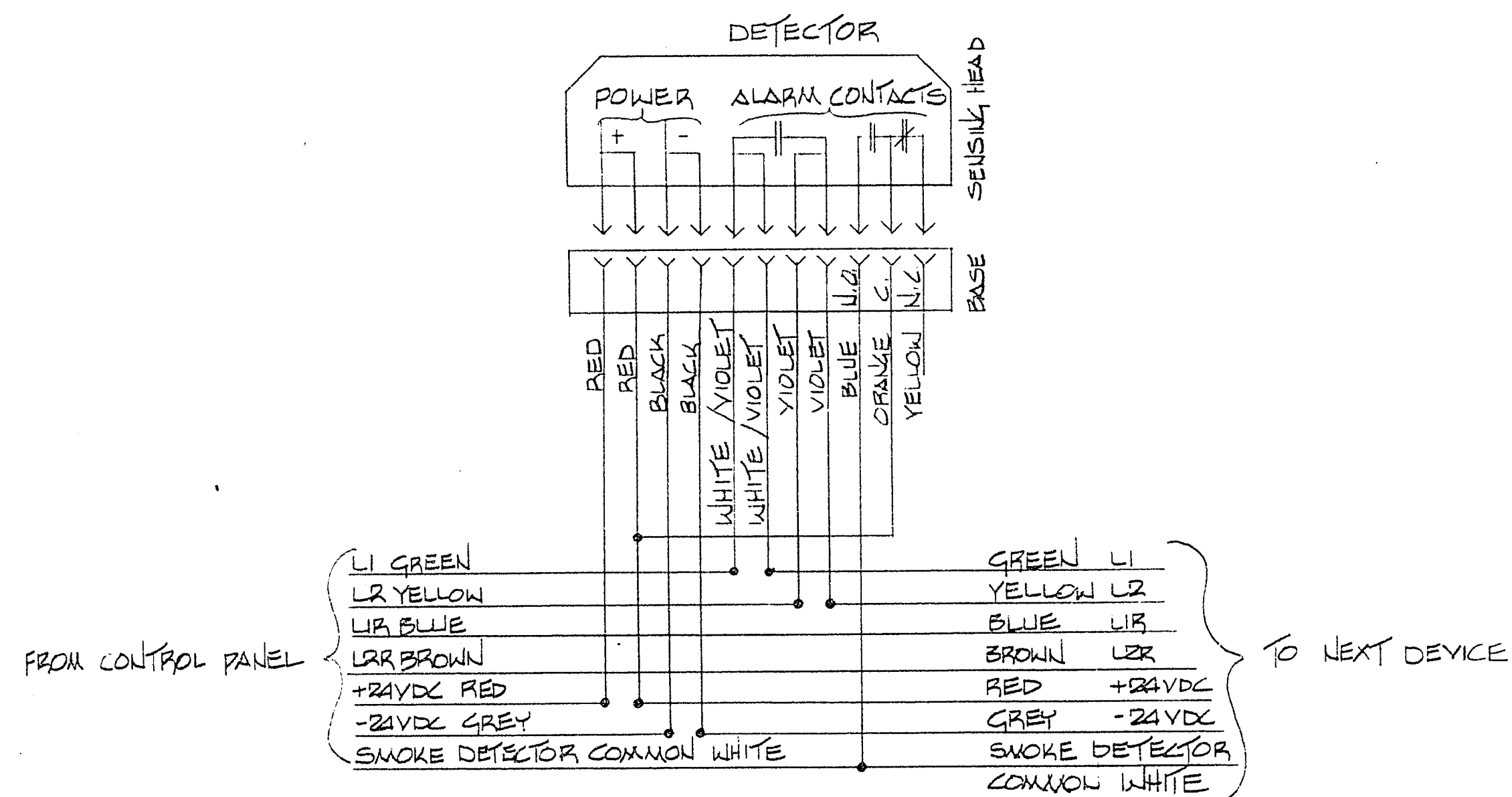
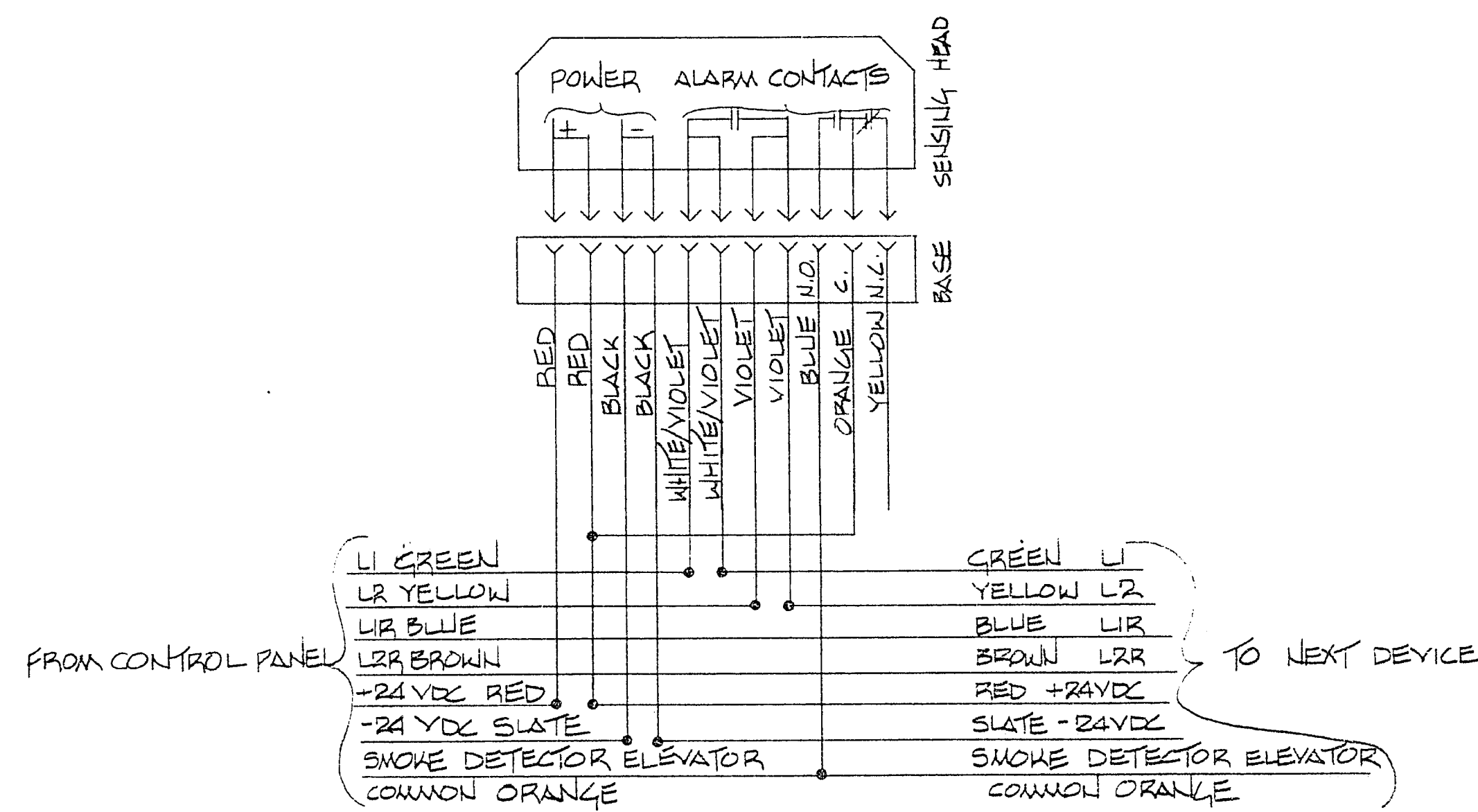


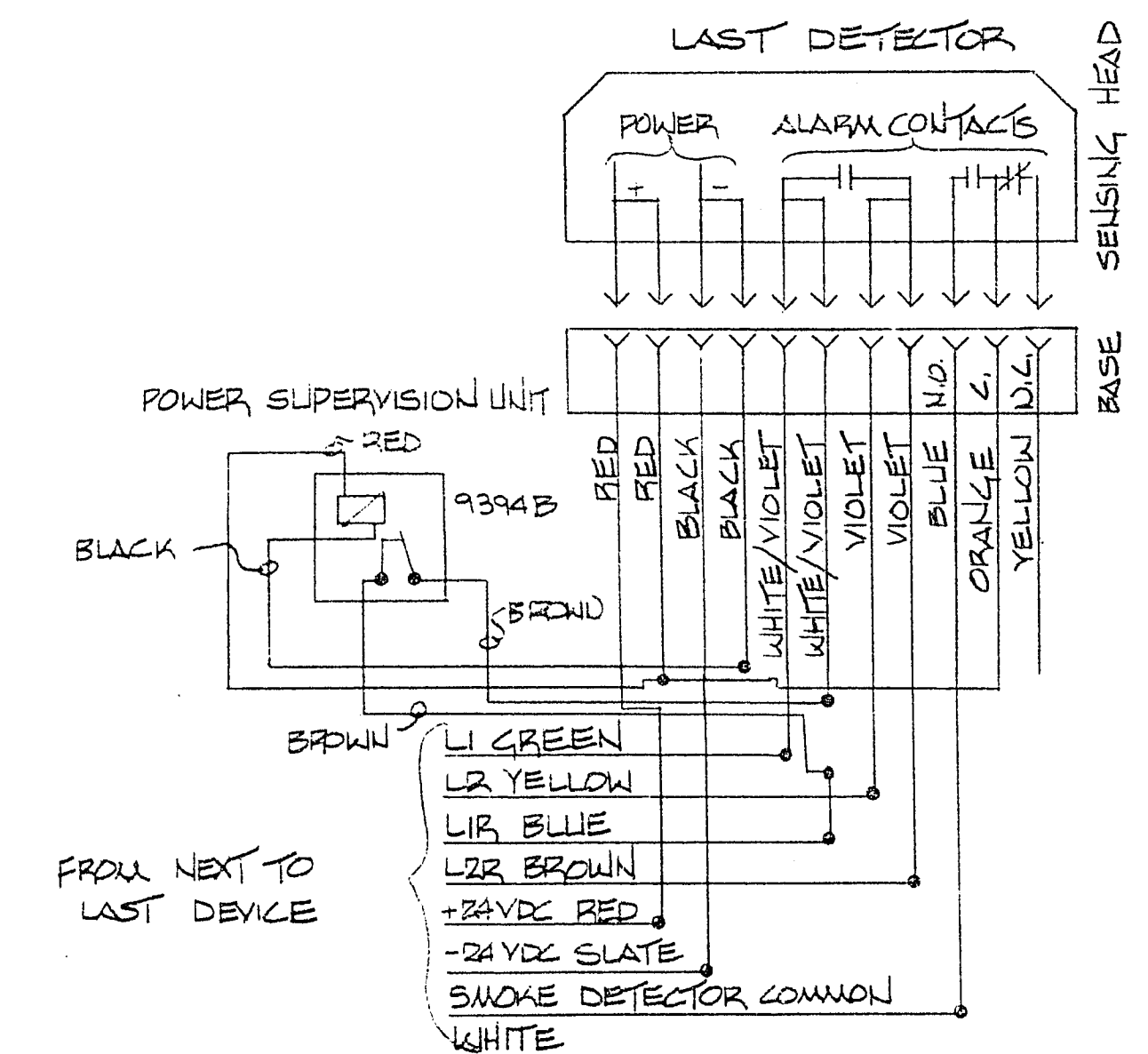
D SMOKE DETECTOR



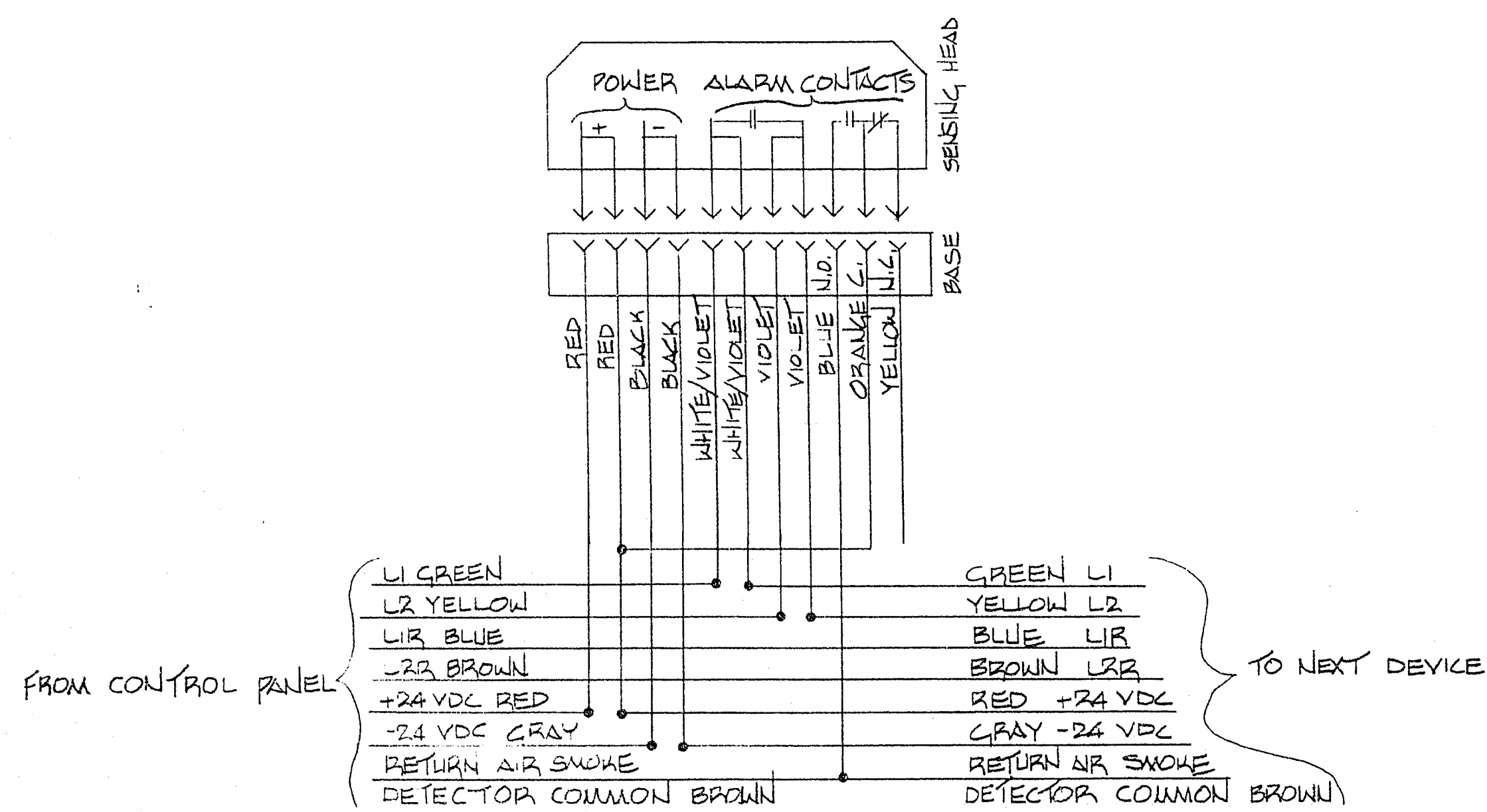
D SMOKE DETECTOR-ELEVATOR



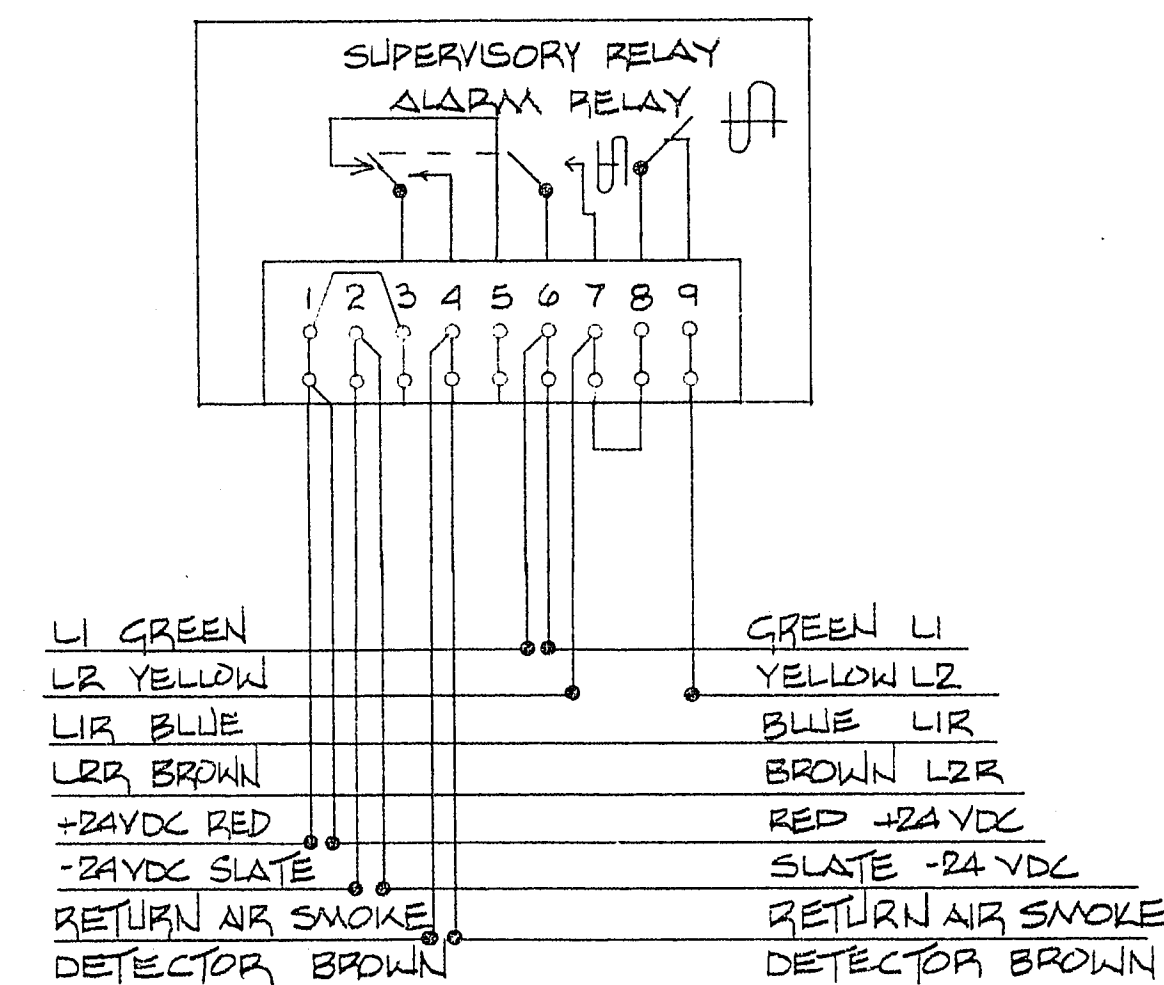
PSU D LAST SMOKE DETECTOR



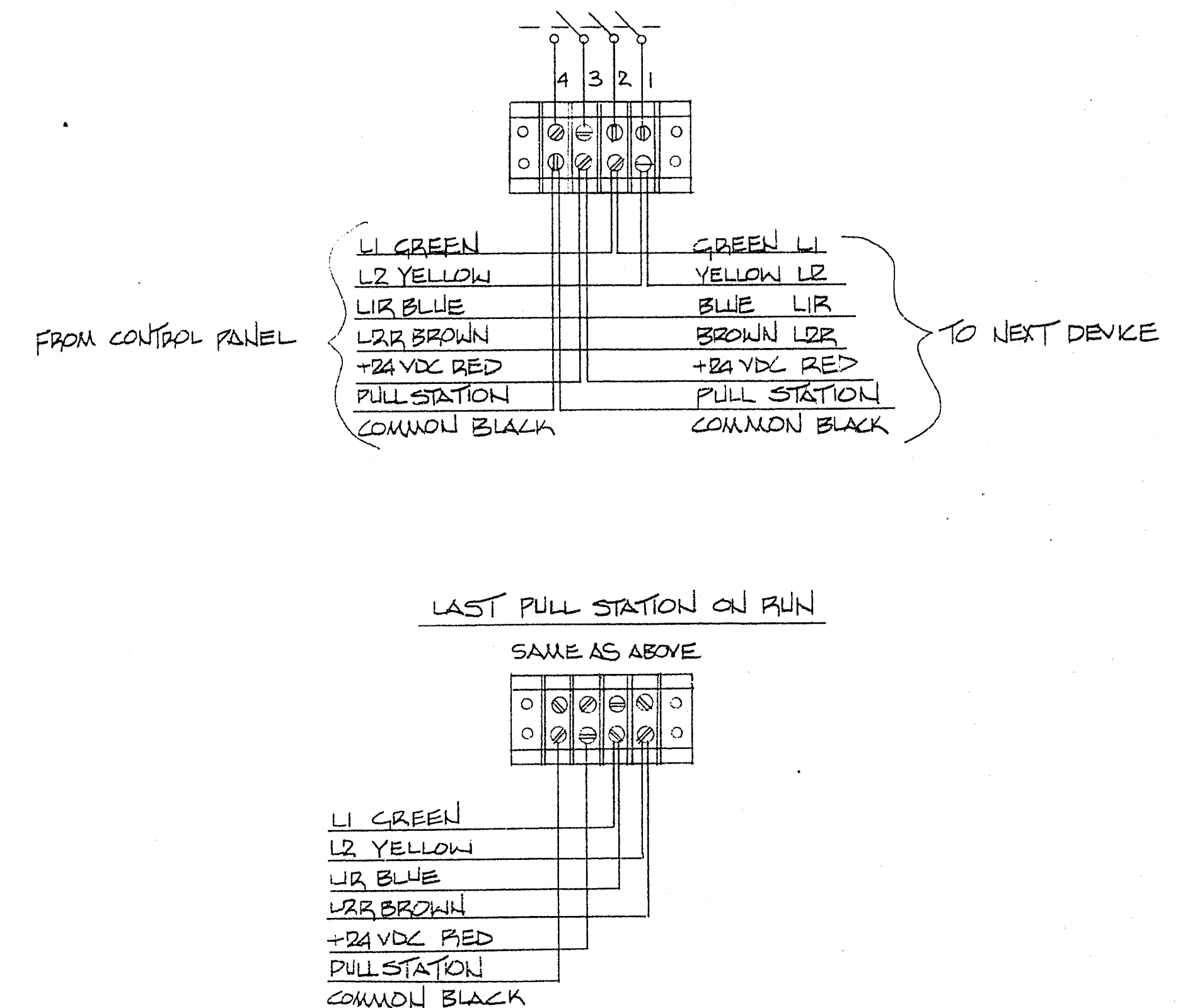
RA RETURN AIR SMOKE DETECTOR



D DUCT DETECTOR



MANUAL PULL STATION



CHAMBERS
ELECTRONIC COMMUNICATIONS

CITY HALL RETROFIT
INITIATION DEVICE CONNECTIONS

Drawn By: J. STUBER
M. SHURTLEFF

Scale: 4016
Date: 2-10-83

REVISION 2-15-83
AS BUILT 8/4/83

Drawing No.
4084-011

13-42