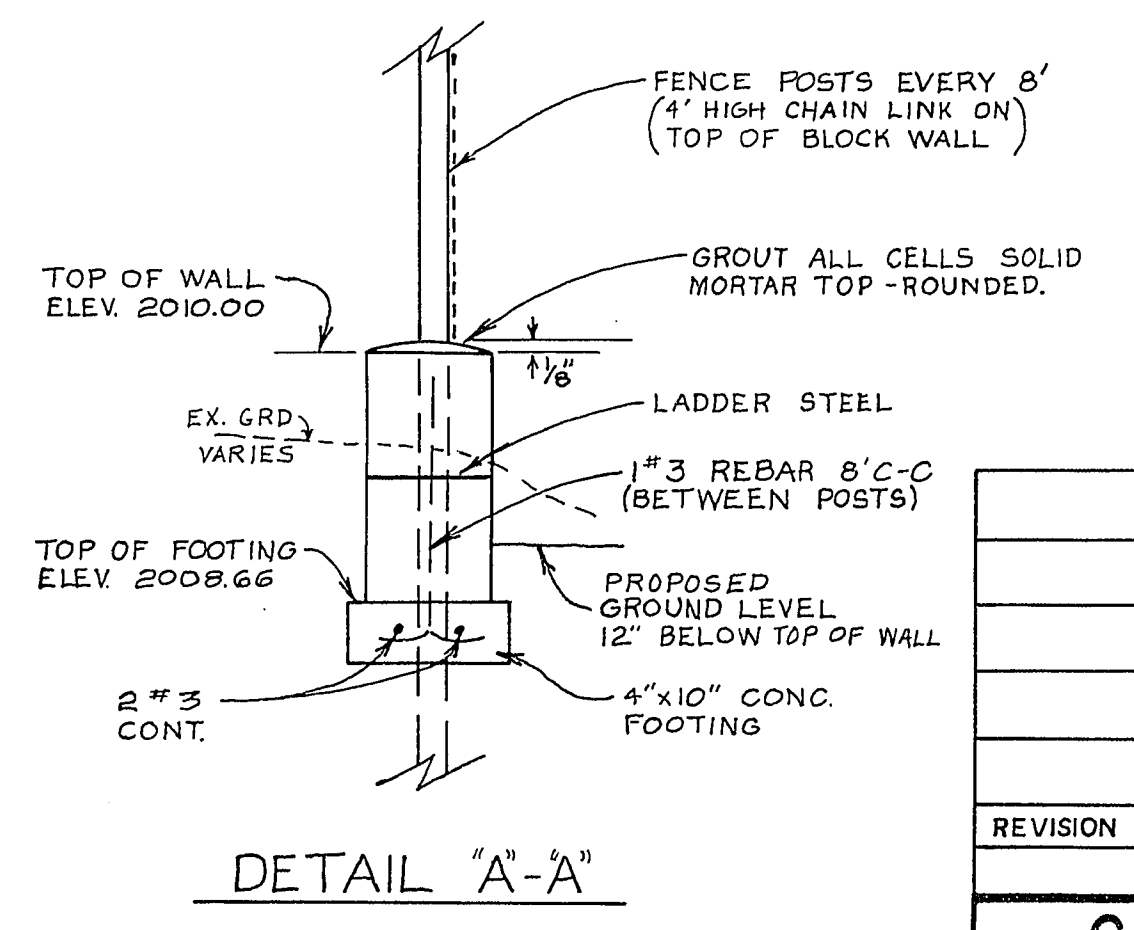
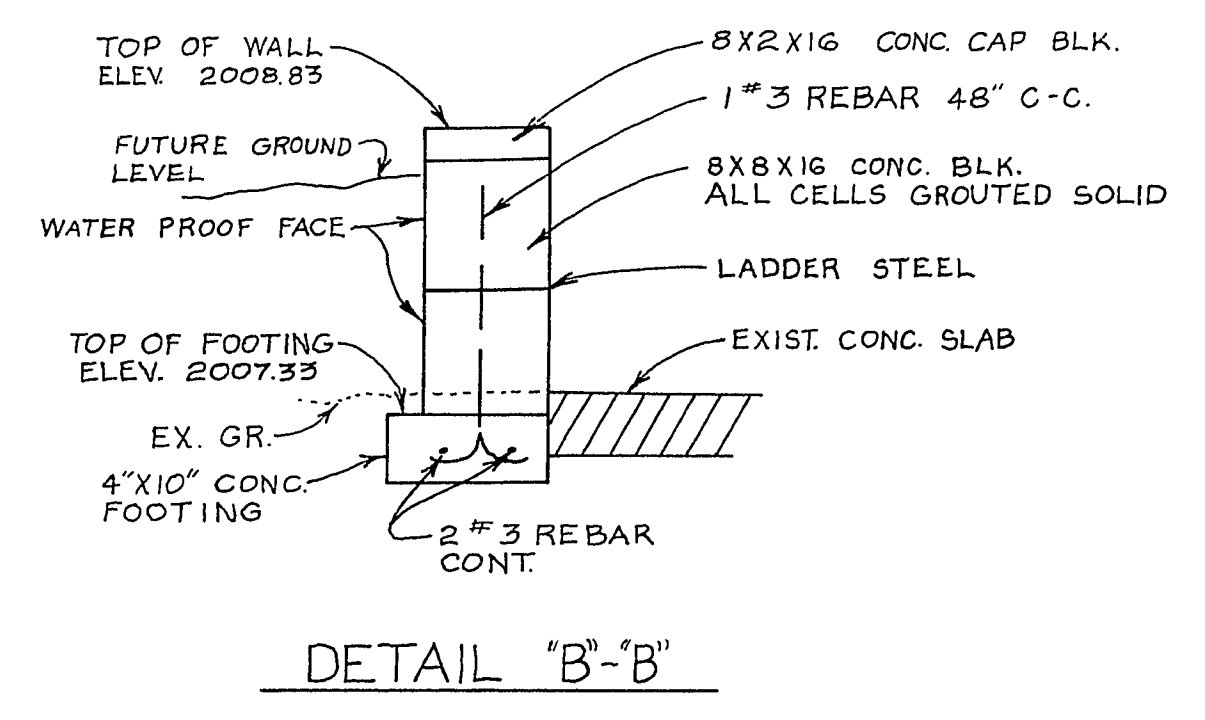
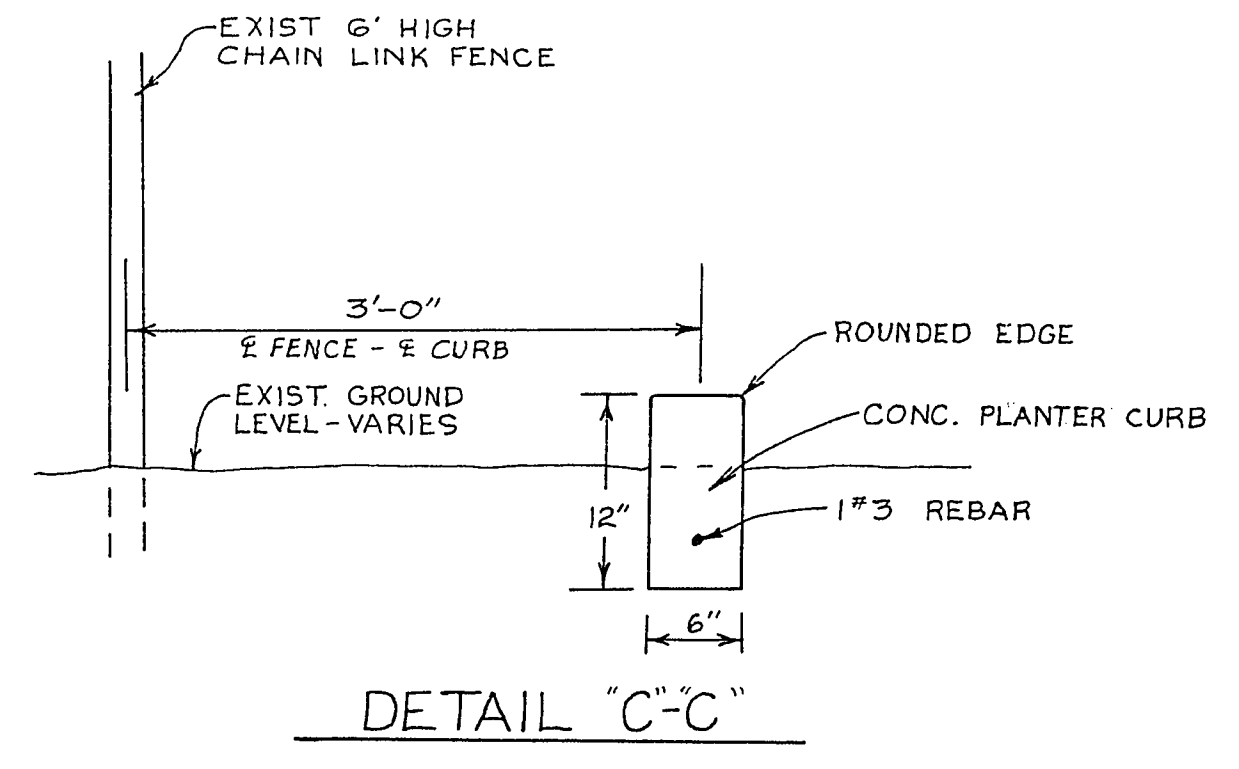
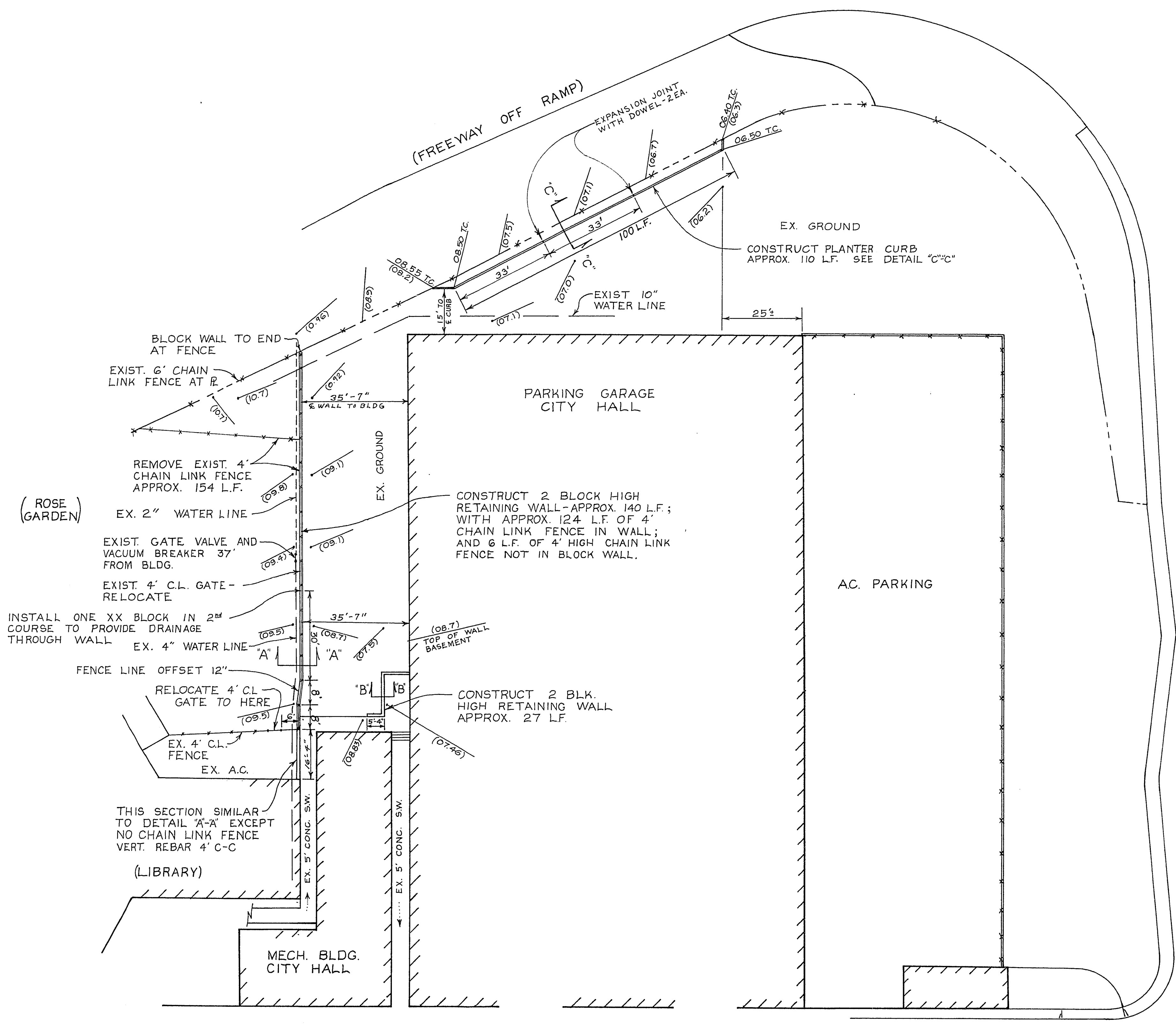


APPROXIMATE QUANTITIES - TOTAL			
ITEM	DESCRIPTION	UNIT	QUANTITY
340.030	CONCRETE PLANTER CURB	LF	110
200.111	FENCE REMOVAL	LF	154
410.204R	GATE RELOCATION (4' C.L.)	EA.	1
410.106	4' CHAIN LINK FENCE WITH TOP RAIL	L.F.	130
510.200	CONC. BLOCK RETAINING WALL	L.F.	140
510.200	CONC. BLOCK RETAINING WALL WITH CAP BLOCK	L.F.	27



**BENCH MARK**  
 CLV BM# NSHD BRASS CAP  
 NE COR. MESQUITE & L.V. BLVD.  
 ELEV. 2004.48

WILLIAM J. PURVIS  
 CIVIL  
 No. 3828

APPROVED		
DATE	RT	DATE
	D.P.W.	
	D.D.P.W.	9/25/73
	SCRV.	
	FIELD	9.22-73
	R/W	
	TRAFF	
	UTIL	
	SUBD	
	SAD	

REVISION NO.	DESCRIPTION	BY	DATE	APPROVAL

**CITY OF LAS VEGAS NEVADA**  
**DEPARTMENT OF PUBLIC WORKS**  
**SERVICES DIVISION**

**FENCING & CURBING**  
**NORTH AREA - CITY HALL**

W.O. NO. 3222	F.BK. NO. 71-4XA	DATE	DRAWING NO.
SC. (H) 1" = 20'	SC. (V)	9-19-73	
DES. D. Mc GONEGLE			
DR. ELLISON - GARLAND			FILE NO.
APPROVED BY DIRECTOR OF PUBLIC WORKS		10-3-73	521-88

SHEET 1 OF 1

*W. J. Purvis*  
 Supt. of Parks + Cemetery  
 DATE 9/21/73