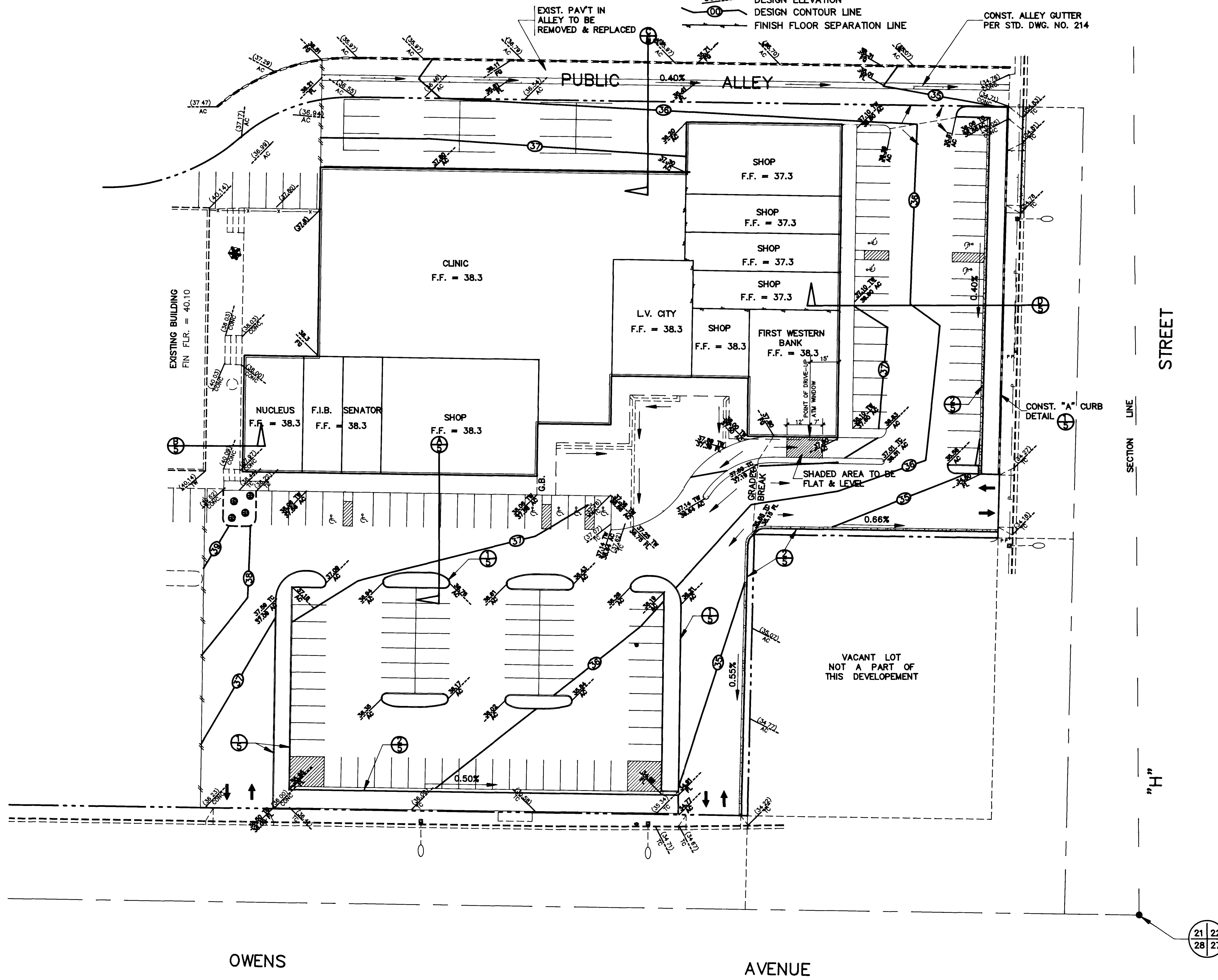
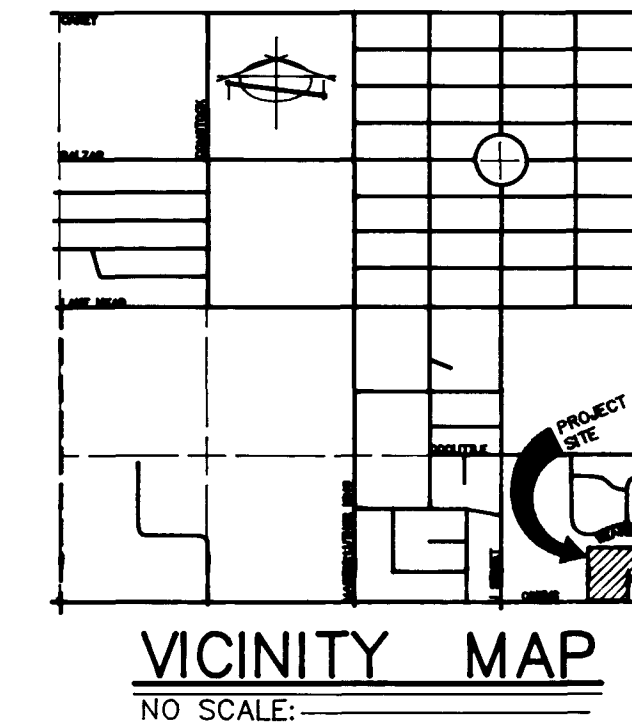
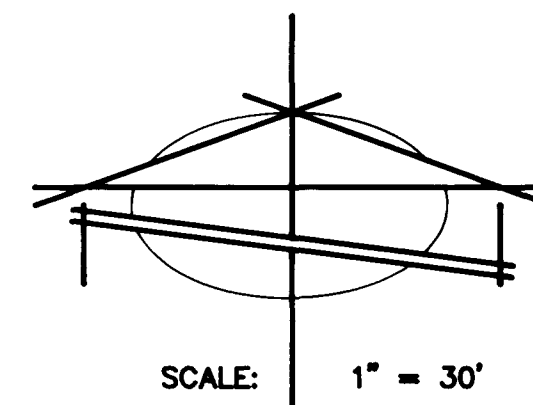


UTILITY NOTE

THE LOCATION OF UNDERGROUND UTILITIES SHOWN HEREON HAS BEEN DETERMINED FROM SURFACE EVIDENCE OF THEIR EXISTENCE OR FROM INFORMATION OBTAINED FROM THE UTILITY COMPANIES. THE ENGINEER ACCEPTS NO LIABILITY FOR THE EXISTENCE OR NON-EXISTENCE OF UTILITY LINES. CONTRACTORS AND OTHERS USING THIS MAP MUST CONFIRM THE LOCATION OF UNDERGROUND LINES OR STRUCTURES WITH THE UTILITY COMPANIES PRIOR TO COMMENCING ANY EXCAVATION.

LEGEND

- PROPERTY LINE
- STREET CENTERLINE
- NEW CONCRETE
- NEW AC PAVEMENT
- BUILDING LINE
- EXIST. WALL
- EXIST. ELEVATION
- DESIGN ELEVATION
- DESIGN CONTOUR LINE
- FINISH FLOOR SEPARATION LINE



Avoid cutting underground utility lines. It's costly.
 Call before you Dig.
 1-800-227-2600
 UNDERGROUND SERVICE (USA)

James W. Lehman
 4/20/93

21 22
 28 27

APP'D	
REVISIONS	
DATE	NO.
PREPARED FOR:	MASANA
DATE:	APRIL 1993
DESIGN:	BAUGHMAN & TURNER, INC.
DRWING:	R.A.J.
CHECK:	NEVADA 89102
SCALE:	1" = 30'
GRADING PLAN	
SECTION 21, TOWNSHIP 20 SOUTH, RANGE 61 EAST, M.D.E. & M. CLARK COUNTY, NEVADA	
CITY OF LAS VEGAS	
ADDITION TO NUCLEUS PLAZA	
PROJ. NO.	
MASANA	

10-41

9335

513-57E



UTILITY NOTE

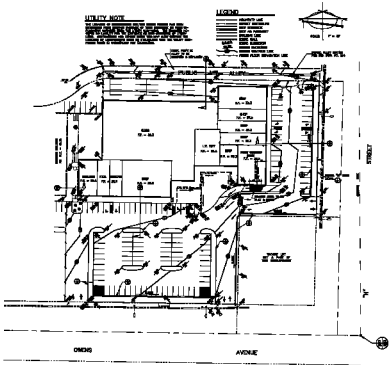
ALL UTILITIES SHOWN ON THIS PLAN ARE BASED ON RECORD DRAWINGS AND FIELD SURVEY. THE ENGINEER HAS CONDUCTED VISUAL INSPECTIONS OF THE EXISTING UTILITIES AND HAS FOUND THEM TO BE IN ACCORDANCE WITH THE RECORD DRAWINGS AND FIELD SURVEY. THE ENGINEER HAS NOT CONDUCTED ANY TESTS OF THE UTILITIES AND IS NOT RESPONSIBLE FOR THE ACCURACY OF THE UTILITIES SHOWN ON THIS PLAN.

LEGEND

- 12" WATER MAIN
- 18" WATER MAIN
- 24" WATER MAIN
- 30" WATER MAIN
- 36" WATER MAIN
- 42" WATER MAIN
- 48" WATER MAIN
- 54" WATER MAIN
- 60" WATER MAIN
- 66" WATER MAIN
- 72" WATER MAIN
- 78" WATER MAIN
- 84" WATER MAIN
- 90" WATER MAIN
- 96" WATER MAIN
- 102" WATER MAIN
- 108" WATER MAIN
- 114" WATER MAIN
- 120" WATER MAIN
- 126" WATER MAIN
- 132" WATER MAIN
- 138" WATER MAIN
- 144" WATER MAIN
- 150" WATER MAIN
- 156" WATER MAIN
- 162" WATER MAIN
- 168" WATER MAIN
- 174" WATER MAIN
- 180" WATER MAIN
- 186" WATER MAIN
- 192" WATER MAIN
- 198" WATER MAIN
- 204" WATER MAIN
- 210" WATER MAIN
- 216" WATER MAIN
- 222" WATER MAIN
- 228" WATER MAIN
- 234" WATER MAIN
- 240" WATER MAIN
- 246" WATER MAIN
- 252" WATER MAIN
- 258" WATER MAIN
- 264" WATER MAIN
- 270" WATER MAIN
- 276" WATER MAIN
- 282" WATER MAIN
- 288" WATER MAIN
- 294" WATER MAIN
- 300" WATER MAIN
- 306" WATER MAIN
- 312" WATER MAIN
- 318" WATER MAIN
- 324" WATER MAIN
- 330" WATER MAIN
- 336" WATER MAIN
- 342" WATER MAIN
- 348" WATER MAIN
- 354" WATER MAIN
- 360" WATER MAIN
- 366" WATER MAIN
- 372" WATER MAIN
- 378" WATER MAIN
- 384" WATER MAIN
- 390" WATER MAIN
- 396" WATER MAIN
- 402" WATER MAIN
- 408" WATER MAIN
- 414" WATER MAIN
- 420" WATER MAIN
- 426" WATER MAIN
- 432" WATER MAIN
- 438" WATER MAIN
- 444" WATER MAIN
- 450" WATER MAIN
- 456" WATER MAIN
- 462" WATER MAIN
- 468" WATER MAIN
- 474" WATER MAIN
- 480" WATER MAIN
- 486" WATER MAIN
- 492" WATER MAIN
- 498" WATER MAIN
- 504" WATER MAIN
- 510" WATER MAIN
- 516" WATER MAIN
- 522" WATER MAIN
- 528" WATER MAIN
- 534" WATER MAIN
- 540" WATER MAIN
- 546" WATER MAIN
- 552" WATER MAIN
- 558" WATER MAIN
- 564" WATER MAIN
- 570" WATER MAIN
- 576" WATER MAIN
- 582" WATER MAIN
- 588" WATER MAIN
- 594" WATER MAIN
- 600" WATER MAIN
- 606" WATER MAIN
- 612" WATER MAIN
- 618" WATER MAIN
- 624" WATER MAIN
- 630" WATER MAIN
- 636" WATER MAIN
- 642" WATER MAIN
- 648" WATER MAIN
- 654" WATER MAIN
- 660" WATER MAIN
- 666" WATER MAIN
- 672" WATER MAIN
- 678" WATER MAIN
- 684" WATER MAIN
- 690" WATER MAIN
- 696" WATER MAIN
- 702" WATER MAIN
- 708" WATER MAIN
- 714" WATER MAIN
- 720" WATER MAIN
- 726" WATER MAIN
- 732" WATER MAIN
- 738" WATER MAIN
- 744" WATER MAIN
- 750" WATER MAIN
- 756" WATER MAIN
- 762" WATER MAIN
- 768" WATER MAIN
- 774" WATER MAIN
- 780" WATER MAIN
- 786" WATER MAIN
- 792" WATER MAIN
- 798" WATER MAIN
- 804" WATER MAIN
- 810" WATER MAIN
- 816" WATER MAIN
- 822" WATER MAIN
- 828" WATER MAIN
- 834" WATER MAIN
- 840" WATER MAIN
- 846" WATER MAIN
- 852" WATER MAIN
- 858" WATER MAIN
- 864" WATER MAIN
- 870" WATER MAIN
- 876" WATER MAIN
- 882" WATER MAIN
- 888" WATER MAIN
- 894" WATER MAIN
- 900" WATER MAIN
- 906" WATER MAIN
- 912" WATER MAIN
- 918" WATER MAIN
- 924" WATER MAIN
- 930" WATER MAIN
- 936" WATER MAIN
- 942" WATER MAIN
- 948" WATER MAIN
- 954" WATER MAIN
- 960" WATER MAIN
- 966" WATER MAIN
- 972" WATER MAIN
- 978" WATER MAIN
- 984" WATER MAIN
- 990" WATER MAIN
- 996" WATER MAIN
- 1002" WATER MAIN
- 1008" WATER MAIN
- 1014" WATER MAIN
- 1020" WATER MAIN
- 1026" WATER MAIN
- 1032" WATER MAIN
- 1038" WATER MAIN
- 1044" WATER MAIN
- 1050" WATER MAIN
- 1056" WATER MAIN
- 1062" WATER MAIN
- 1068" WATER MAIN
- 1074" WATER MAIN
- 1080" WATER MAIN
- 1086" WATER MAIN
- 1092" WATER MAIN
- 1098" WATER MAIN
- 1104" WATER MAIN
- 1110" WATER MAIN
- 1116" WATER MAIN
- 1122" WATER MAIN
- 1128" WATER MAIN
- 1134" WATER MAIN
- 1140" WATER MAIN
- 1146" WATER MAIN
- 1152" WATER MAIN
- 1158" WATER MAIN
- 1164" WATER MAIN
- 1170" WATER MAIN
- 1176" WATER MAIN
- 1182" WATER MAIN
- 1188" WATER MAIN
- 1194" WATER MAIN
- 1200" WATER MAIN
- 1206" WATER MAIN
- 1212" WATER MAIN
- 1218" WATER MAIN
- 1224" WATER MAIN
- 1230" WATER MAIN
- 1236" WATER MAIN
- 1242" WATER MAIN
- 1248" WATER MAIN
- 1254" WATER MAIN
- 1260" WATER MAIN
- 1266" WATER MAIN
- 1272" WATER MAIN
- 1278" WATER MAIN
- 1284" WATER MAIN
- 1290" WATER MAIN
- 1296" WATER MAIN
- 1302" WATER MAIN
- 1308" WATER MAIN
- 1314" WATER MAIN
- 1320" WATER MAIN
- 1326" WATER MAIN
- 1332" WATER MAIN
- 1338" WATER MAIN
- 1344" WATER MAIN
- 1350" WATER MAIN
- 1356" WATER MAIN
- 1362" WATER MAIN
- 1368" WATER MAIN
- 1374" WATER MAIN
- 1380" WATER MAIN
- 1386" WATER MAIN
- 1392" WATER MAIN
- 1398" WATER MAIN
- 1404" WATER MAIN
- 1410" WATER MAIN
- 1416" WATER MAIN
- 1422" WATER MAIN
- 1428" WATER MAIN
- 1434" WATER MAIN
- 1440" WATER MAIN
- 1446" WATER MAIN
- 1452" WATER MAIN
- 1458" WATER MAIN
- 1464" WATER MAIN
- 1470" WATER MAIN
- 1476" WATER MAIN
- 1482" WATER MAIN
- 1488" WATER MAIN
- 1494" WATER MAIN
- 1500" WATER MAIN
- 1506" WATER MAIN
- 1512" WATER MAIN
- 1518" WATER MAIN
- 1524" WATER MAIN
- 1530" WATER MAIN
- 1536" WATER MAIN
- 1542" WATER MAIN
- 1548" WATER MAIN
- 1554" WATER MAIN
- 1560" WATER MAIN
- 1566" WATER MAIN
- 1572" WATER MAIN
- 1578" WATER MAIN
- 1584" WATER MAIN
- 1590" WATER MAIN
- 1596" WATER MAIN
- 1602" WATER MAIN
- 1608" WATER MAIN
- 1614" WATER MAIN
- 1620" WATER MAIN
- 1626" WATER MAIN
- 1632" WATER MAIN
- 1638" WATER MAIN
- 1644" WATER MAIN
- 1650" WATER MAIN
- 1656" WATER MAIN
- 1662" WATER MAIN
- 1668" WATER MAIN
- 1674" WATER MAIN
- 1680" WATER MAIN
- 1686" WATER MAIN
- 1692" WATER MAIN
- 1698" WATER MAIN
- 1704" WATER MAIN
- 1710" WATER MAIN
- 1716" WATER MAIN
- 1722" WATER MAIN
- 1728" WATER MAIN
- 1734" WATER MAIN
- 1740" WATER MAIN
- 1746" WATER MAIN
- 1752" WATER MAIN
- 1758" WATER MAIN
- 1764" WATER MAIN
- 1770" WATER MAIN
- 1776" WATER MAIN
- 1782" WATER MAIN
- 1788" WATER MAIN
- 1794" WATER MAIN
- 1800" WATER MAIN
- 1806" WATER MAIN
- 1812" WATER MAIN
- 1818" WATER MAIN
- 1824" WATER MAIN
- 1830" WATER MAIN
- 1836" WATER MAIN
- 1842" WATER MAIN
- 1848" WATER MAIN
- 1854" WATER MAIN
- 1860" WATER MAIN
- 1866" WATER MAIN
- 1872" WATER MAIN
- 1878" WATER MAIN
- 1884" WATER MAIN
- 1890" WATER MAIN
- 1896" WATER MAIN
- 1902" WATER MAIN
- 1908" WATER MAIN
- 1914" WATER MAIN
- 1920" WATER MAIN
- 1926" WATER MAIN
- 1932" WATER MAIN
- 1938" WATER MAIN
- 1944" WATER MAIN
- 1950" WATER MAIN
- 1956" WATER MAIN
- 1962" WATER MAIN
- 1968" WATER MAIN
- 1974" WATER MAIN
- 1980" WATER MAIN
- 1986" WATER MAIN
- 1992" WATER MAIN
- 1998" WATER MAIN
- 2004" WATER MAIN
- 2010" WATER MAIN
- 2016" WATER MAIN
- 2022" WATER MAIN
- 2028" WATER MAIN
- 2034" WATER MAIN
- 2040" WATER MAIN
- 2046" WATER MAIN
- 2052" WATER MAIN
- 2058" WATER MAIN
- 2064" WATER MAIN
- 2070" WATER MAIN
- 2076" WATER MAIN
- 2082" WATER MAIN
- 2088" WATER MAIN
- 2094" WATER MAIN
- 2100" WATER MAIN
- 2106" WATER MAIN
- 2112" WATER MAIN
- 2118" WATER MAIN
- 2124" WATER MAIN
- 2130" WATER MAIN
- 2136" WATER MAIN
- 2142" WATER MAIN
- 2148" WATER MAIN
- 2154" WATER MAIN
- 2160" WATER MAIN
- 2166" WATER MAIN
- 2172" WATER MAIN
- 2178" WATER MAIN
- 2184" WATER MAIN
- 2190" WATER MAIN
- 2196" WATER MAIN
- 2202" WATER MAIN
- 2208" WATER MAIN
- 2214" WATER MAIN
- 2220" WATER MAIN
- 2226" WATER MAIN
- 2232" WATER MAIN
- 2238" WATER MAIN
- 2244" WATER MAIN
- 2250" WATER MAIN
- 2256" WATER MAIN
- 2262" WATER MAIN
- 2268" WATER MAIN
- 2274" WATER MAIN
- 2280" WATER MAIN
- 2286" WATER MAIN
- 2292" WATER MAIN
- 2298" WATER MAIN
- 2304" WATER MAIN
- 2310" WATER MAIN
- 2316" WATER MAIN
- 2322" WATER MAIN
- 2328" WATER MAIN
- 2334" WATER MAIN
- 2340" WATER MAIN
- 2346" WATER MAIN
- 2352" WATER MAIN
- 2358" WATER MAIN
- 2364" WATER MAIN
- 2370" WATER MAIN
- 2376" WATER MAIN
- 2382" WATER MAIN
- 2388" WATER MAIN
- 2394" WATER MAIN
- 2400" WATER MAIN
- 2406" WATER MAIN
- 2412" WATER MAIN
- 2418" WATER MAIN
- 2424" WATER MAIN
- 2430" WATER MAIN
- 2436" WATER MAIN
- 2442" WATER MAIN
- 2448" WATER MAIN
- 2454" WATER MAIN
- 2460" WATER MAIN
- 2466" WATER MAIN
- 2472" WATER MAIN
- 2478" WATER MAIN
- 2484" WATER MAIN
- 2490" WATER MAIN
- 2496" WATER MAIN
- 2502" WATER MAIN
- 2508" WATER MAIN
- 2514" WATER MAIN
- 2520" WATER MAIN
- 2526" WATER MAIN
- 2532" WATER MAIN
- 2538" WATER MAIN
- 2544" WATER MAIN
- 2550" WATER MAIN
- 2556" WATER MAIN
- 2562" WATER MAIN
- 2568" WATER MAIN
- 2574" WATER MAIN
- 2580" WATER MAIN
- 2586" WATER MAIN
- 2592" WATER MAIN
- 2598" WATER MAIN
- 2604" WATER MAIN
- 2610" WATER MAIN
- 2616" WATER MAIN
- 2622" WATER MAIN
- 2628" WATER MAIN
- 2634" WATER MAIN
- 2640" WATER MAIN
- 2646" WATER MAIN
- 2652" WATER MAIN
- 2658" WATER MAIN
- 2664" WATER MAIN
- 2670" WATER MAIN
- 2676" WATER MAIN
- 2682" WATER MAIN
- 2688" WATER MAIN
- 2694" WATER MAIN
- 2700" WATER MAIN
- 2706" WATER MAIN
- 2712" WATER MAIN
- 2718" WATER MAIN
- 2724" WATER MAIN
- 2730" WATER MAIN
- 2736" WATER MAIN
- 2742" WATER MAIN
- 2748" WATER MAIN
- 2754" WATER MAIN
- 2760" WATER MAIN
- 2766" WATER MAIN
- 2772" WATER MAIN
- 2778" WATER MAIN
- 2784" WATER MAIN
- 2790" WATER MAIN
- 2796" WATER MAIN
- 2802" WATER MAIN
- 2808" WATER MAIN
- 2814" WATER MAIN
- 2820" WATER MAIN
- 2826" WATER MAIN
- 2832" WATER MAIN
- 2838" WATER MAIN
- 2844" WATER MAIN
- 2850" WATER MAIN
- 2856" WATER MAIN
- 2862" WATER MAIN
- 2868" WATER MAIN
- 2874" WATER MAIN
- 2880" WATER MAIN
- 2886" WATER MAIN
- 2892" WATER MAIN
- 2898" WATER MAIN
- 2904" WATER MAIN
- 2910" WATER MAIN
- 2916" WATER MAIN
- 2922" WATER MAIN
- 2928" WATER MAIN
- 2934" WATER MAIN
- 2940" WATER MAIN
- 2946" WATER MAIN
- 2952" WATER MAIN
- 2958" WATER MAIN
- 2964" WATER MAIN
- 2970" WATER MAIN
- 2976" WATER MAIN
- 2982" WATER MAIN
- 2988" WATER MAIN
- 2994" WATER MAIN
- 3000" WATER MAIN



VICINITY MAP



Handwritten signature and date: J. Smith 10/10/10

PROJECT: **MARANA**
 SHEET: **10-41**
 DRAWING: **GRADING PLAN**
 CLIENT: **WATSON & ASSOCIATES, INC.**
 ENGINEER: **WATSON & ASSOCIATES, INC.**
 DATE: **10/10/10**
 SCALE: **AS SHOWN**
 DRAWN BY: **J. SMITH**
 CHECKED BY: **J. SMITH**
 APPROVED BY: **J. SMITH**
 PROJECT NO.: **10-41**
 SHEET NO.: **10-41**
 TOTAL SHEETS: **10-41**