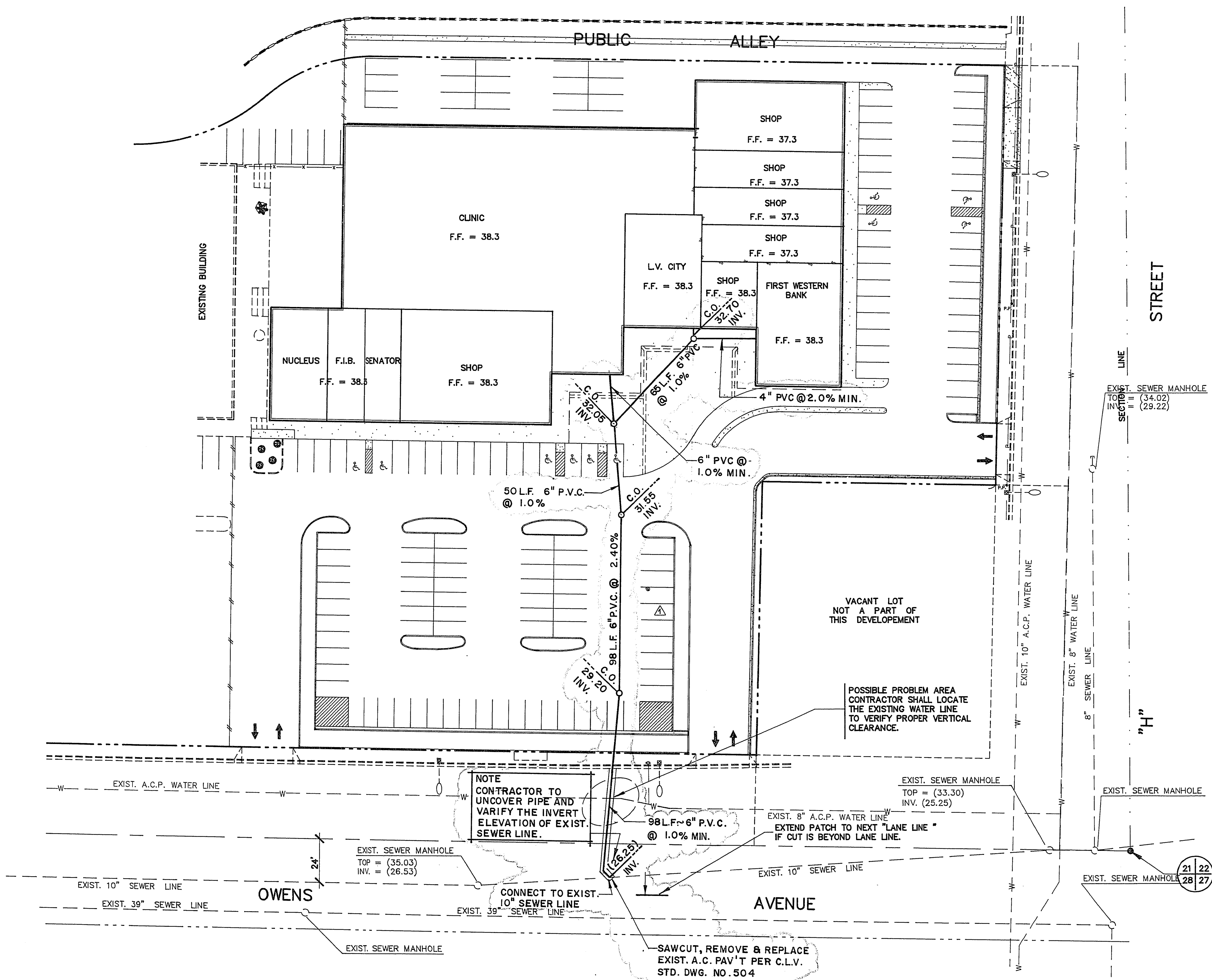
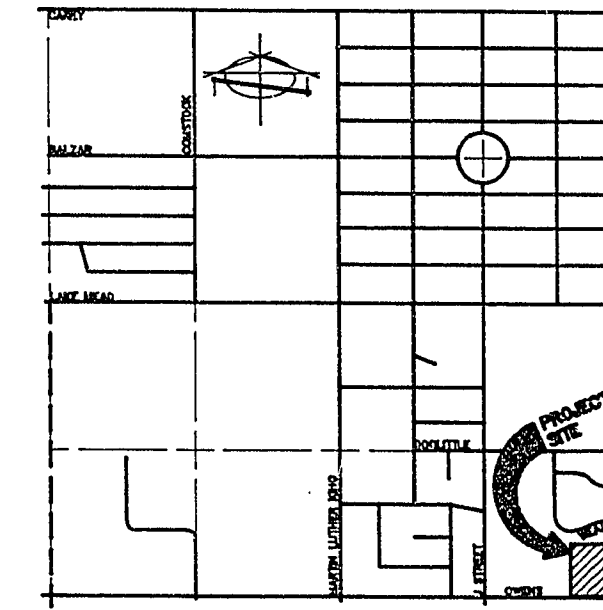
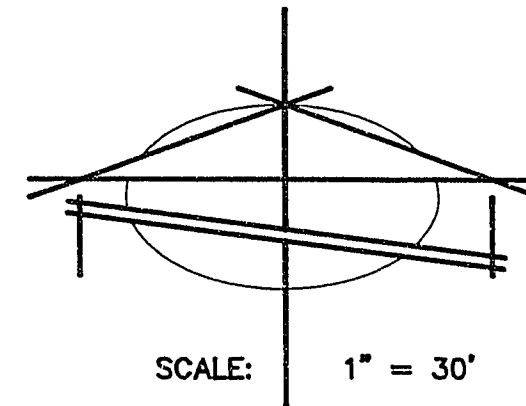


UTILITY NOTE

THE LOCATION OF UNDERGROUND UTILITIES SHOWN HEREON HAS BEEN DETERMINED FROM SURFACE EVIDENCE OF THEIR EXISTENCE OR FROM INFORMATION OBTAINED FROM THE UTILITY COMPANIES. THE ENGINEER ACCEPTS NO LIABILITY FOR THE EXISTENCE OR NON-EXISTENCE OF UTILITY LINES. CONTRACTORS AND OTHERS USING THIS MAP MUST CONFIRM THE LOCATION OF UNDERGROUND LINES OR STRUCTURES WITH THE UTILITY COMPANIES PRIOR TO COMMENCING ANY EXCAVATION.

LEGEND

- PROPERTY LINE
- STREET CENTERLINE
- NEW CONCRETE
- NEW AC PAVEMENT
- BUILDING LINE
- EXIST. WALL
- FINISH FLOOR SEPARATION LINE



SEWER NOTES

1. ALL CONSTRUCTION MATERIALS SHALL BE IN ACCORDANCE WITH THE LATEST EDITION OF THE DESIGN AND CONSTRUCTION STANDARDS FOR WASTEWATER COLLECTION SYSTEMS AND THE UNIFORM STANDARD SPECIFICATIONS FOR PUBLIC WORKS' CONSTRUCTION OFF-SITE IMPROVEMENTS, CLARK COUNTY AREA, NEVADA, AS AMENDED. IN ALL CASES, THESE STANDARDS SHALL SUPERSEDE THE UNIFORM STANDARD SPECIFICATIONS. IT WILL BE THE RESPONSIBILITY OF THE CONTRACTOR TO BE AWARE OF THE CONTENTS OF THE ABOVE SPECIFICATION BOOKS.
2. IT SHALL BE THE CONTRACTOR'S RESPONSIBILITY TO PERFORM CONSTRUCTION AS PER PLANS. ANY ADDITIONS, DELETIONS, OR CHANGES SHALL FIRST MEET WITH THE APPROVAL OF THE CONTROLLING AGENCY.
3. CHISEL "S" OR "O" IN CURBS WHERE SEWER OR GAS LATERALS PASS UNDER THE CURB.
4. POLYVINYL (PVC) SEWER PIPE SHALL MEET ASTM D-3034 SDR 35 SPECIFICATIONS, INSTALLED WITH SAND BEDDING AND BACKFILL OR TYPE II GRAVEL.
5. ALL MANHOLES IN PAVED STREETS 80' R/W AND LARGER, SHALL HAVE CONCRETE COLLARS.
6. TEE SADDLES SHALL BE USED TO CONNECT SEWER LATERALS TO EXISTING MAIN LINES UP TO 12" DIA. SIZE. CONNECTIONS TO 15" OR LARGER MAINS SHALL REQUIRE SPECIAL PROCEDURES.
7. A SEWER MAIN CROSSING OVER A WATER MAIN OR LESS THAN 18" UNDER A WATER MAIN MUST BE REINFORCED CONCRETE ENCASED PIPE FOR A DISTANCE NOT LESS THAN TEN FEET (10') TO EACH SIDE OF THE CENTERLINE OF THE WATER MAIN.
8. ALL CONTRACTORS INSTALLING SEWER MAINS THAT WILL BE UNDER THE JURISDICTION OF THE CONTROLLING AGENCY MUST BE CLASS "A" CONTRACTORS.

BENCH MARK

B.M. - U.S.C. & G.S. BRASS CAP AT THE SOUTHWEST CORNER OF OWENS AVENUE & "H" STREET.
ELEV. = 2032.60 C.L.V. DATUM.

ESTIMATED QUANTITIES

	ONSITE	OFFSITE
6" PVC SEWER LINE	273 L.F.	66 L.F.
6" SEWER CLEANOUT	4 EA.	0
4" PVC SEWER LINE	34 L.F.	0

NOTE:

CONTRACTOR TO PROVIDE "AS-BUILT" OF 6" SEWER LATERAL LOCATION AND "MARK" ON CURB (S).

Avoid cutting underground utility lines. It's costly.
Call before you Dig.
1-800-227-2600
UNDERGROUND SERVICE (USA)

APPROVED FOR: [Signature]

REVISIONS: [Table]

DATE: APRIL 1993

PREPARED FOR: MASANA

DESIGN: BAUGHMAN & TURNER, INC.

DRAWN: R.A.J.

CHECK: LAS VEGAS, NEVADA 89102

SCALE: 1" = 30'

SECTION 21, TOWNSHIP 20 SOUTH, RANGE 61 EAST, M.D.B. & M. CLARK COUNTY, NEVADA

ADDITION TO NUCLEUS PLAZA

SHEET NO. 513-57E

16-43

James W. Ireland
4/26/93