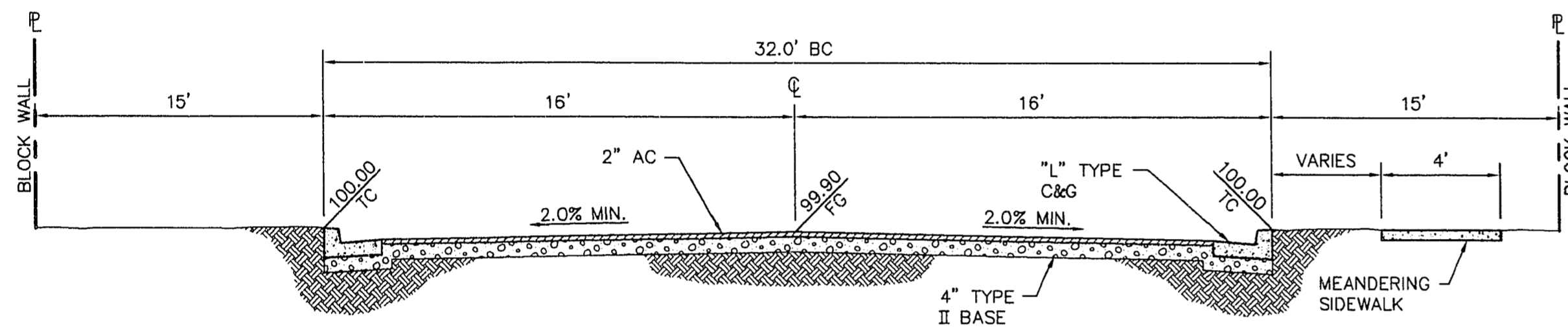


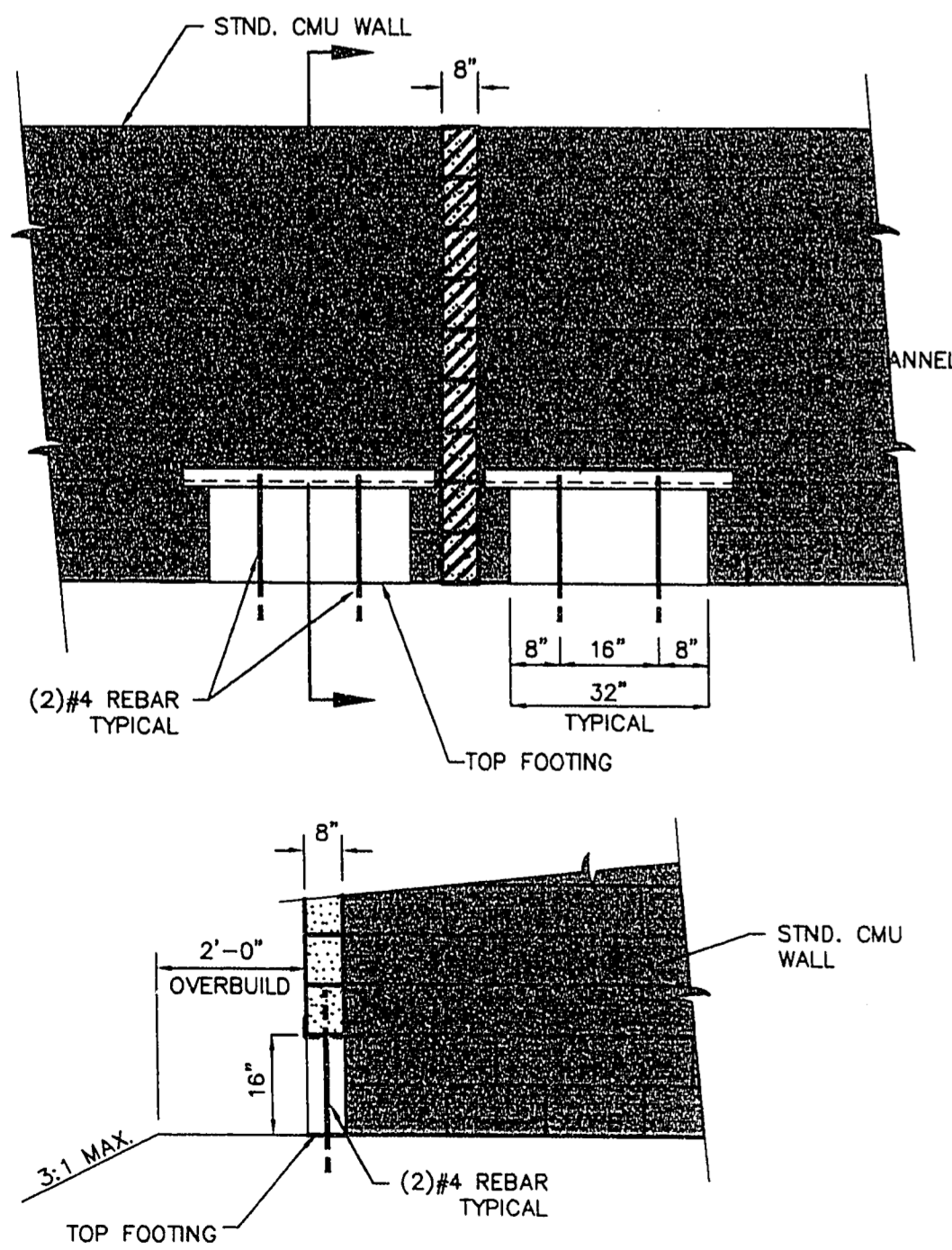
CHELMSFORD LANE - TYPICAL SECTION
SCALE: 1" = 50'

10
22



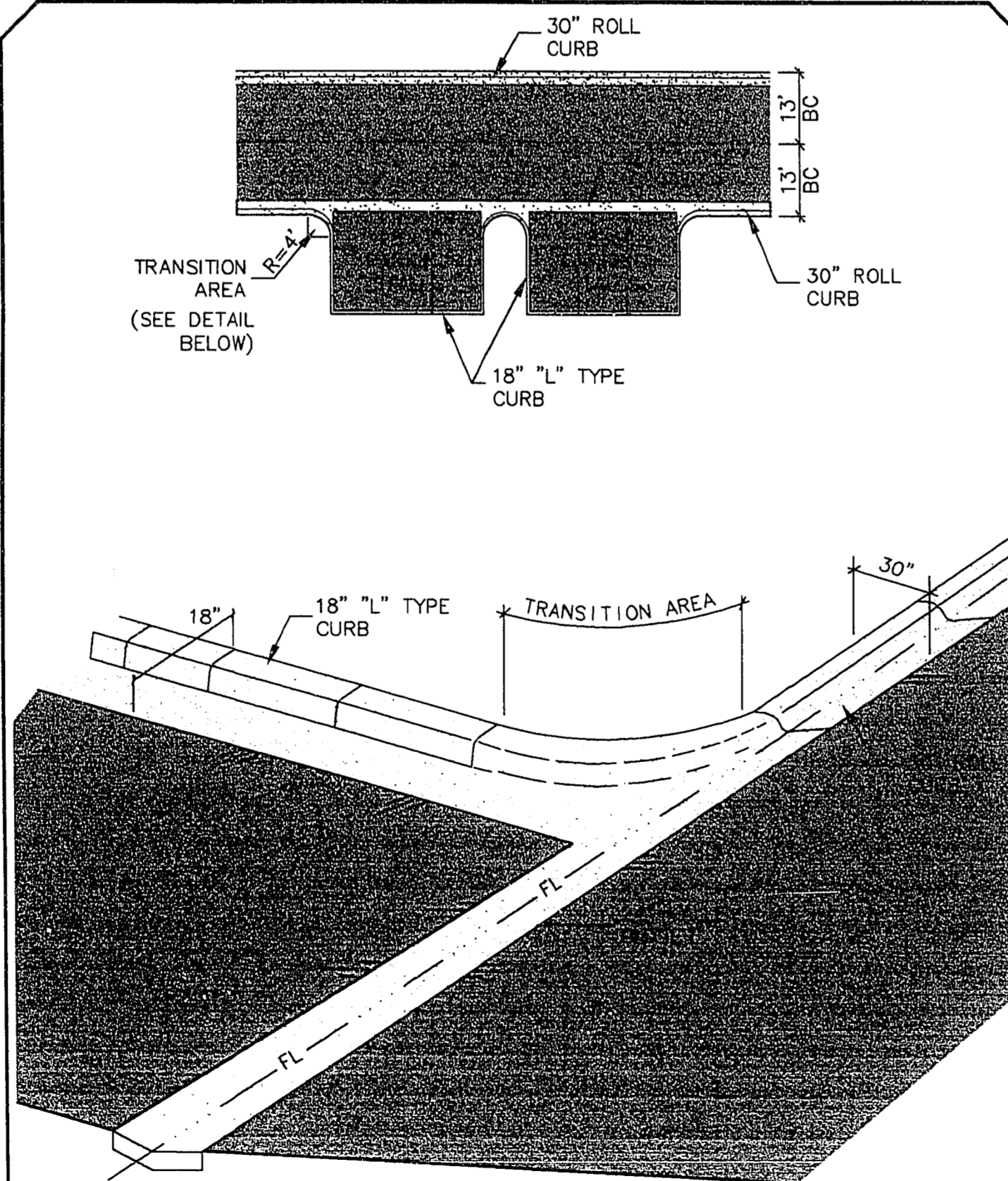
CRESCENT VISTA AVENUE - TYPICAL SECTION
SCALE: 1" = 50'

9
22



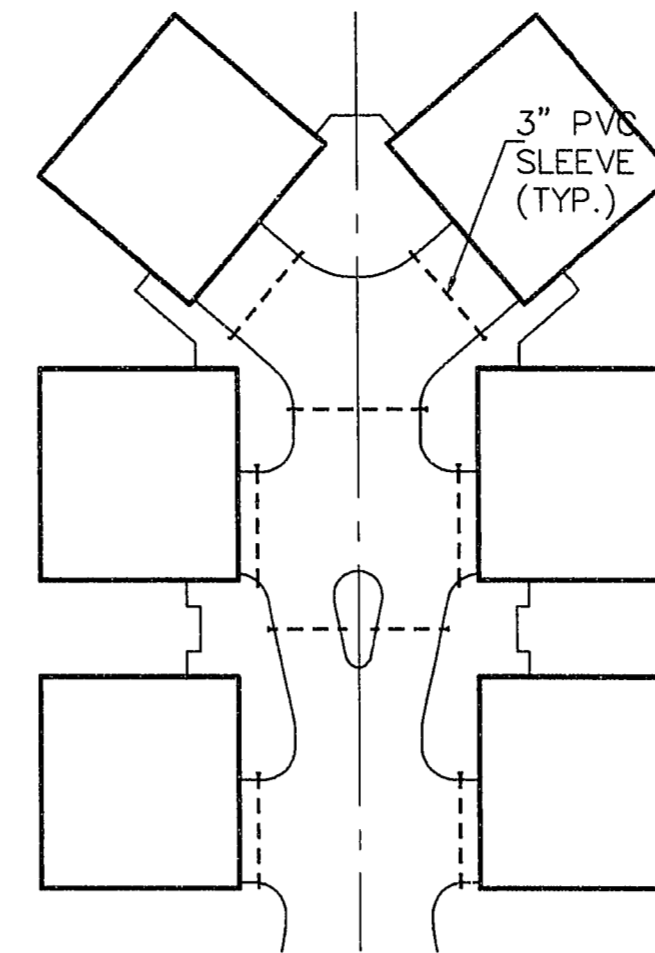
YARD DRAINAGE DETAIL
(NOT TO SCALE)

8
22



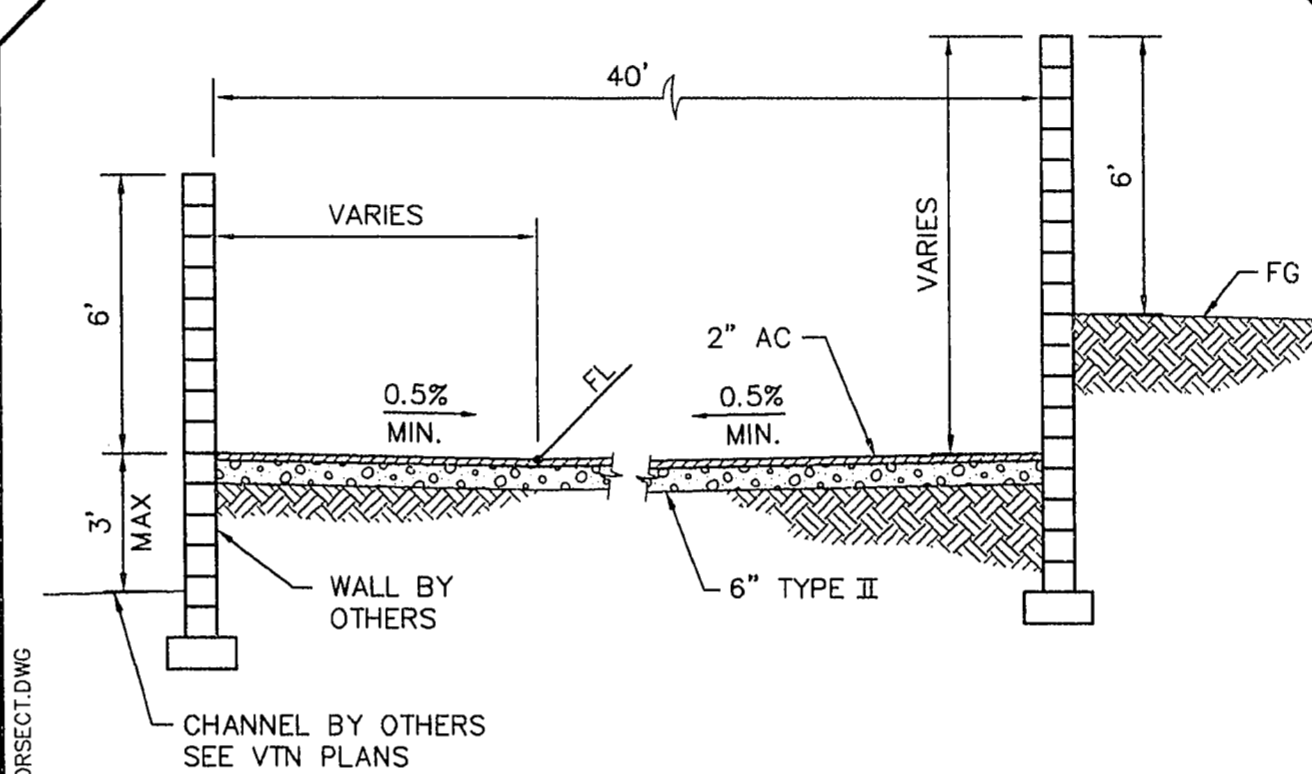
TYPICAL CURB TRANSITION
(NOT TO SCALE)

7
22



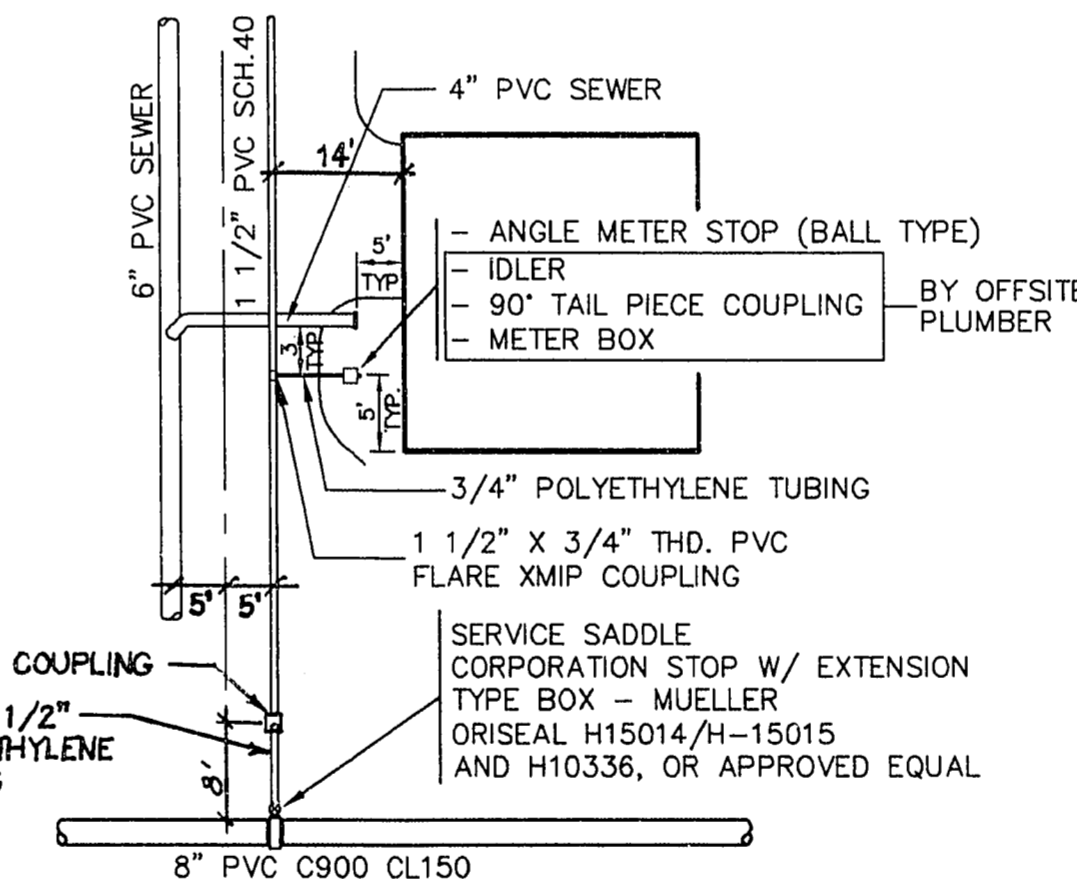
TYPICAL CLUSTER 3\"/>

6
22



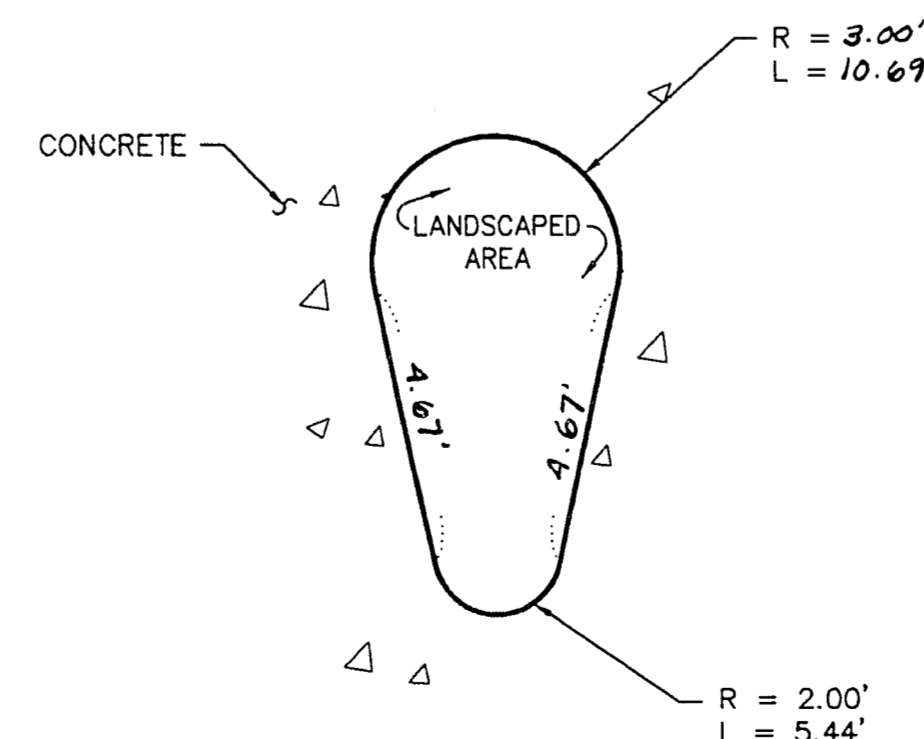
STORAGE AREA SECTION
(NOT TO SCALE)

5
22



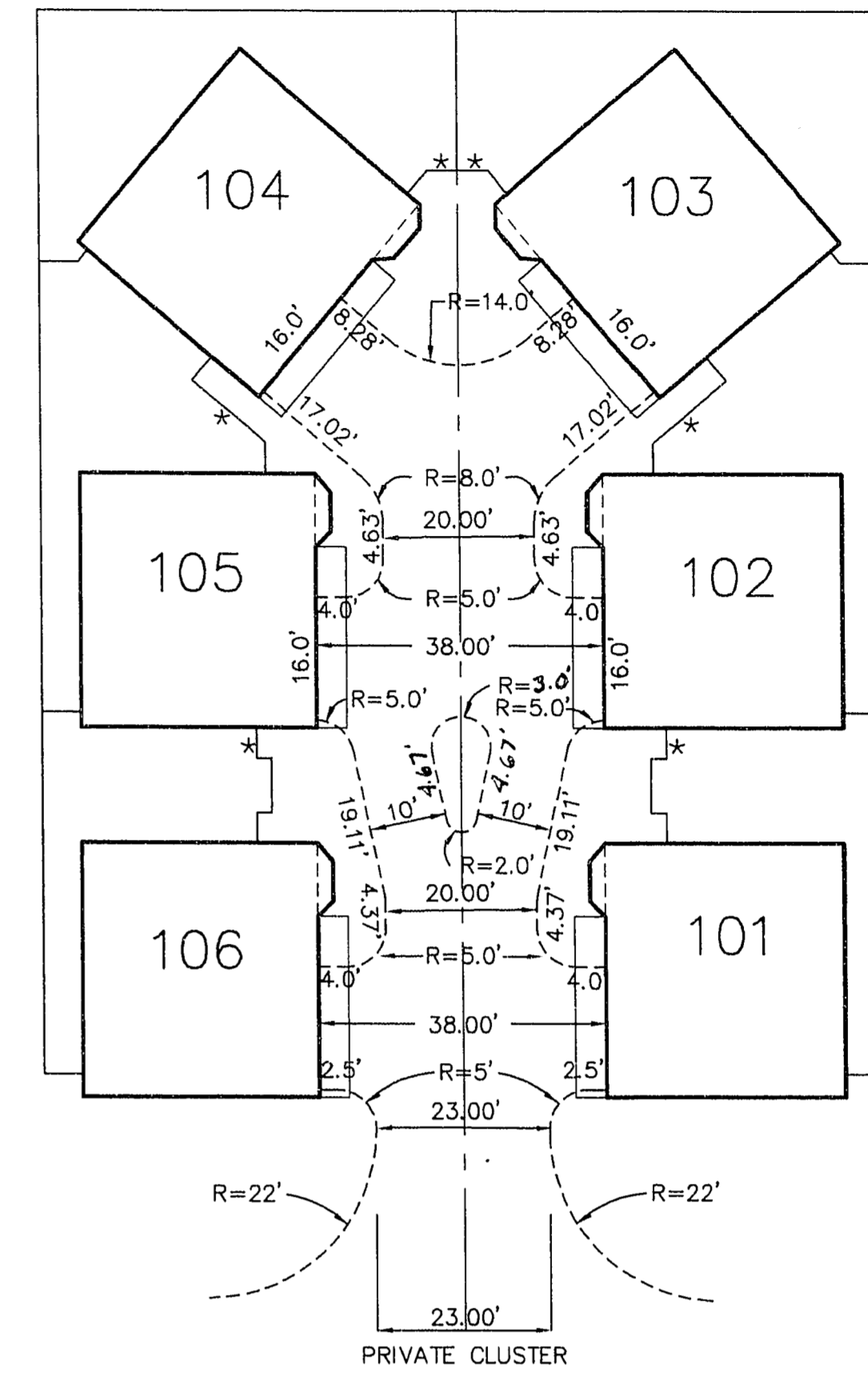
TYPICAL UTILITY STUB DETAIL
SCALE: 1" = 20'

4
22



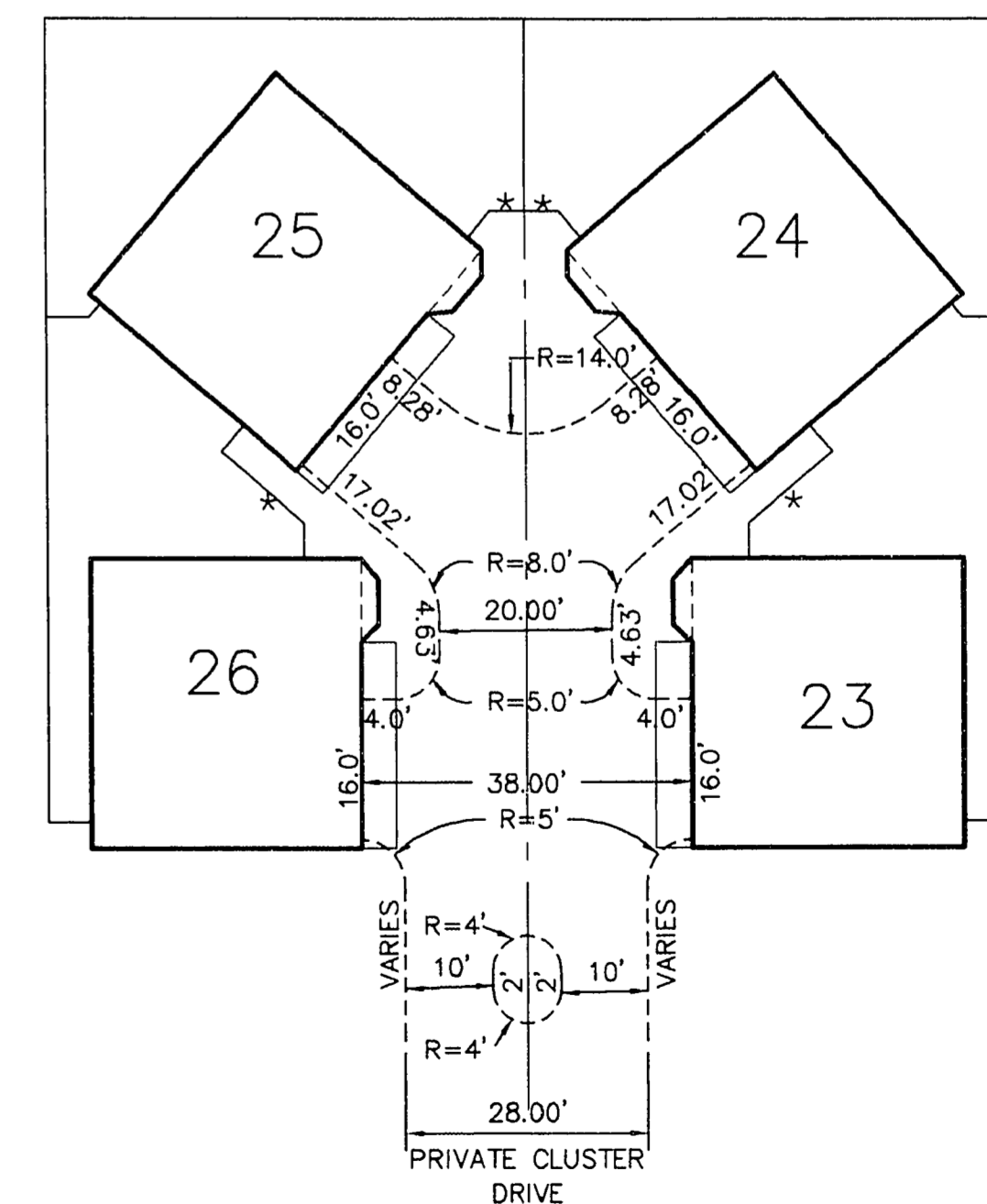
TYPICAL 6 CLUSTER ISLAND DETAIL
SCALE: 1" = 6'

3
22



TYPICAL 6 UNIT CLUSTER DIMENSIONS DETAIL
SCALE: 1" = 20'

2
22



TYPICAL 4 UNIT CLUSTER DIMENSIONS DETAIL
SCALE: 1" = 20'

1
22

4	REV. TYP. ISLAND DETAIL	11/29/94
3	DATE LOCATIONS MARKED	10/7/94
2	C.L.V. REVIEW COMMENTS	10/7/94
1	REVISED YARD DRAINAGE DETAIL	9/2/94
NO.	DESCRIPTION	DATE / APPD.

RECOMMENDED:

 LENNARD GRODZINSKI
 R. E. # 8000

DATE: 10/05/94
 DRAWN BY: D.D.
 DESIGNED BY: M.S.G.
 CHECKED BY:
 JOB NO.: 0134.0004
 SCALE: AS SHOWN

PENTACORE
 Engineering, Inc.
 6763 West Charleston Boulevard
 Las Vegas, Nevada 89102
 (702) 258-0115

AMERICAN WEST HOMES
 AMERICAN WEST VILLAGE - UNIT NO. 1
 GRADING DETAILS

SHEET
22
 OF 23

11-19-166

107Y-4325