

DESIGNED BY: PK	DRAWN BY: PA/PH	CHD BY:	DATE: 11-15-94
JOB NUMBER: 218-055-942	REVISION:	DATE APPL:	
NO.			

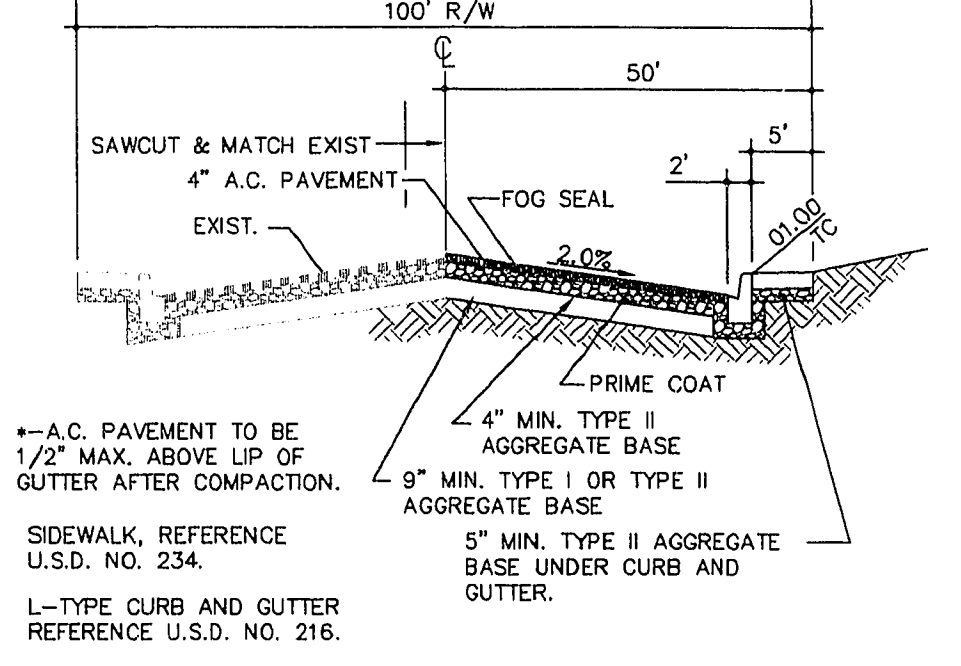
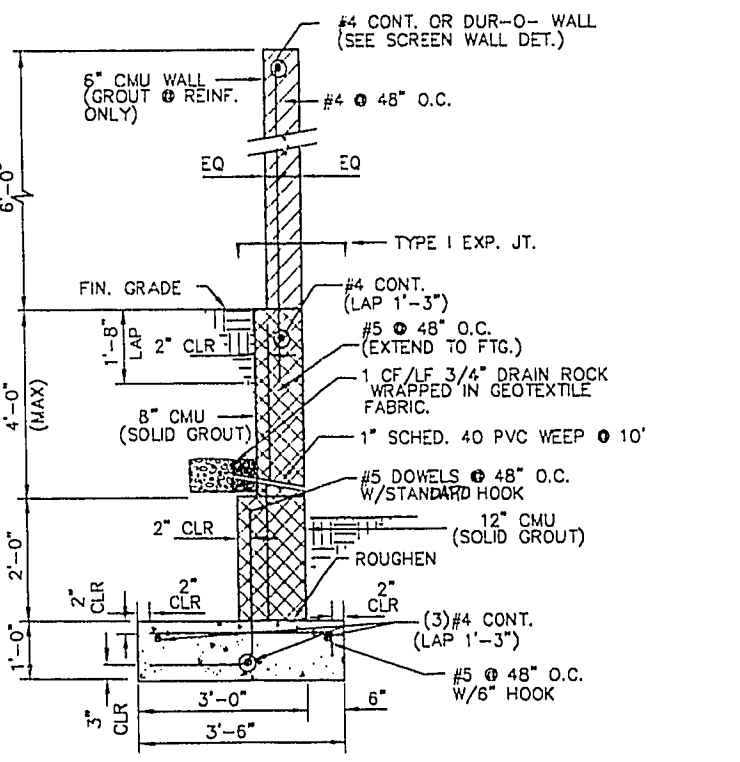
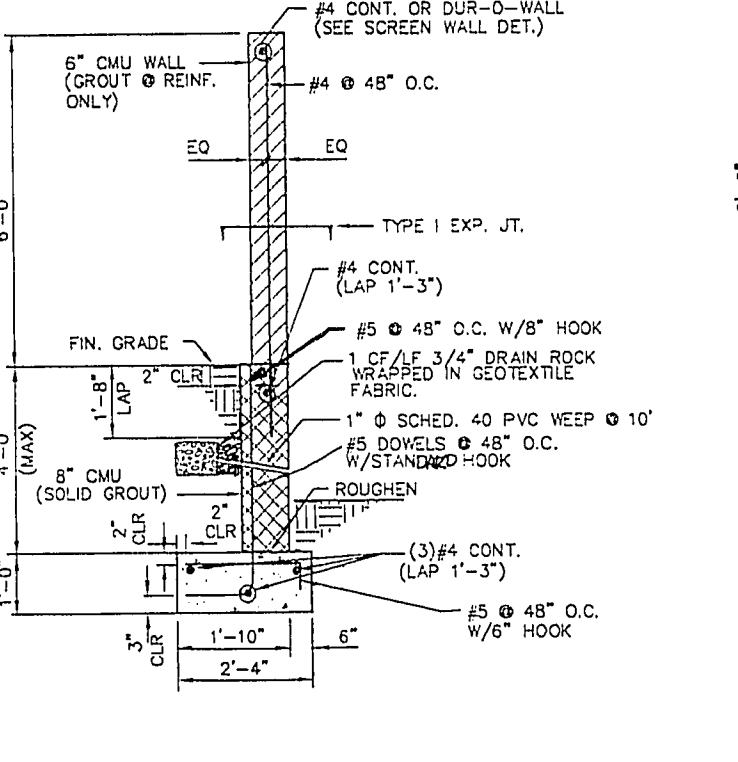
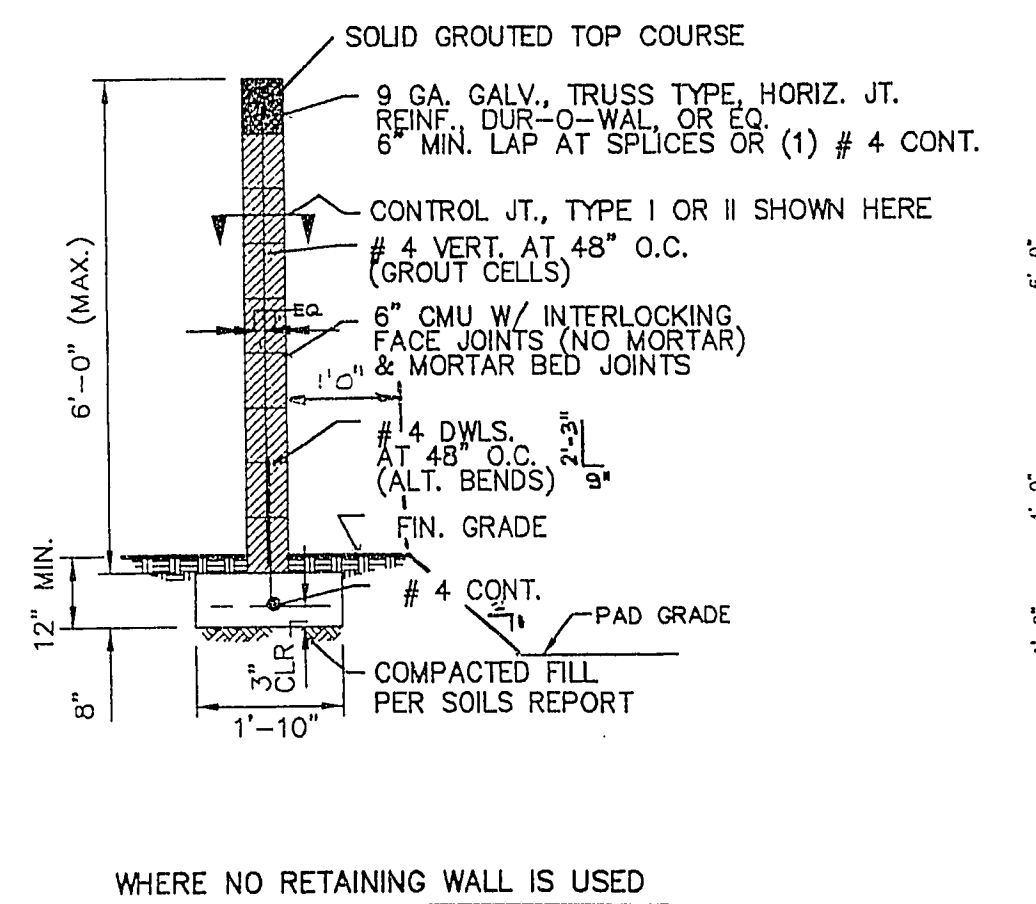
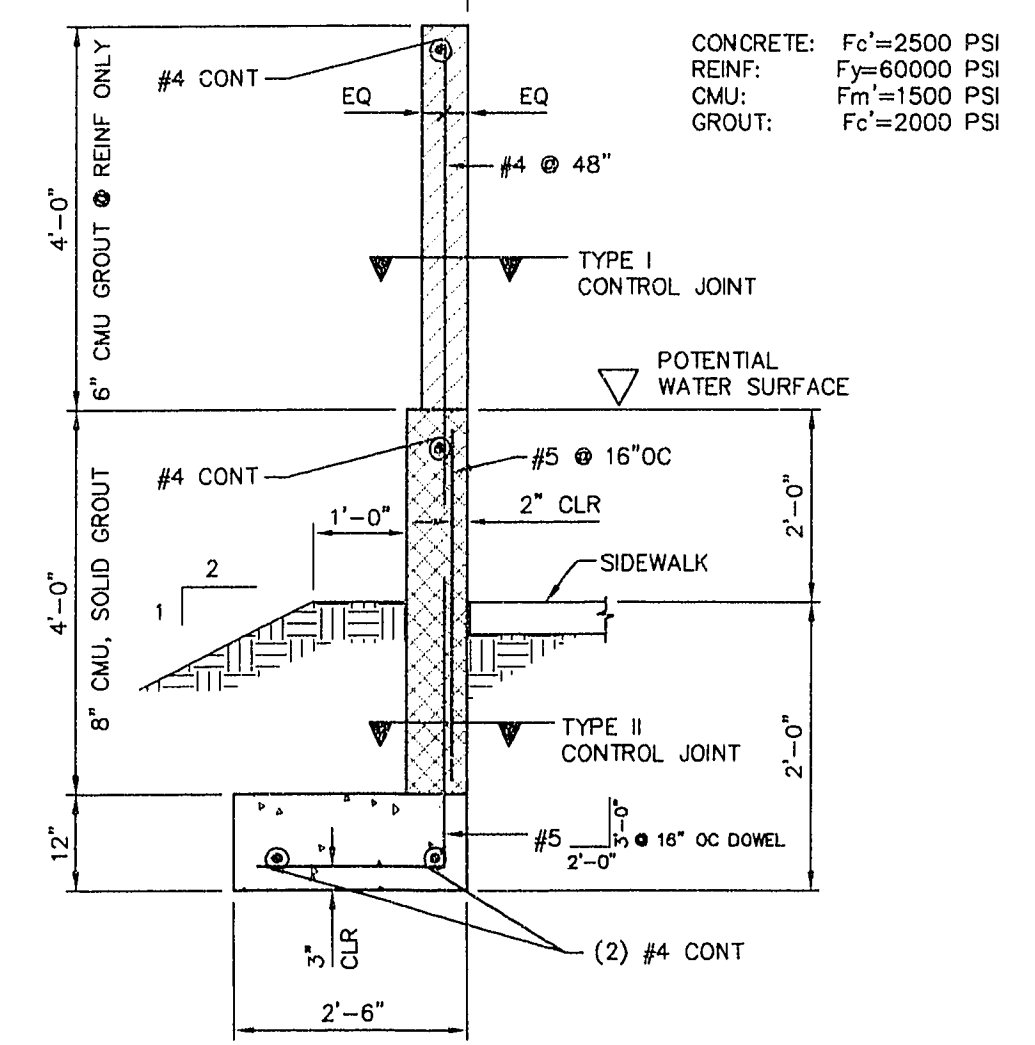
L. R. NELSON CONSULTING ENGINEERS, INC.
 • STRUCTURAL
 • CIVIL
 • SURVEY

3035 East Patrick Lane Suite 9
 Las Vegas, Nevada 89120
 (702) 798-7978
 (702) 451-2296 FAX

DETAIL SHEET
CANYON CREEK WEST UNIT 1
 ROBERT V. JONES, CORP.
 CITY OF LAS VEGAS NEVADA

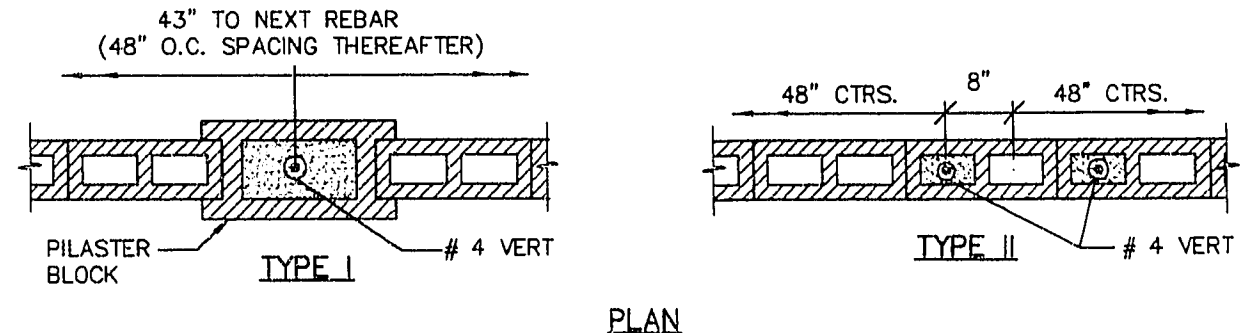
SHEET NUMBER
18
 OF 18 SHEETS

DRAWING NAME DETL. LATEST REVISION DATE 5-18-95

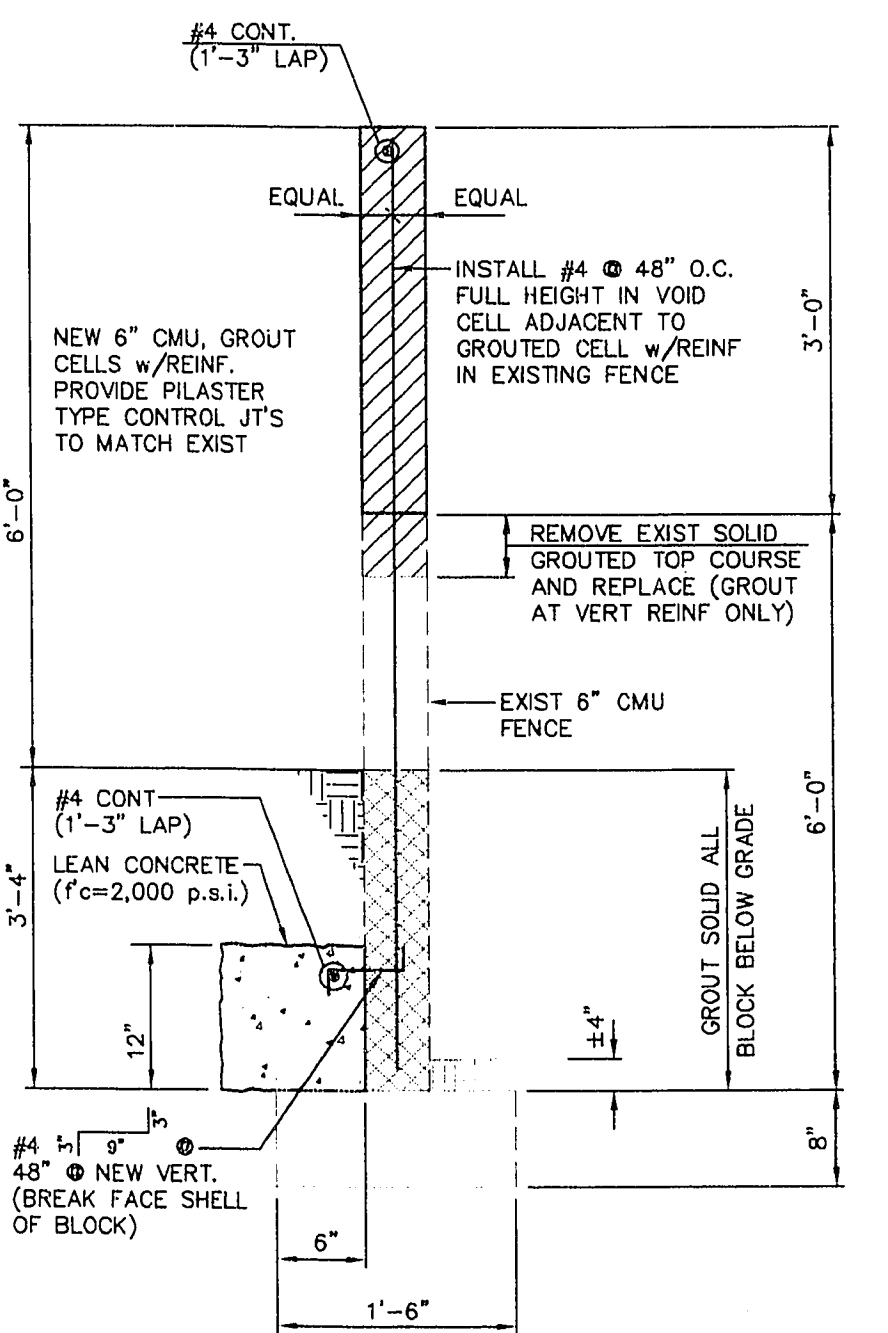


REAR YARD - TYPICAL SECTION
 NO SCALE

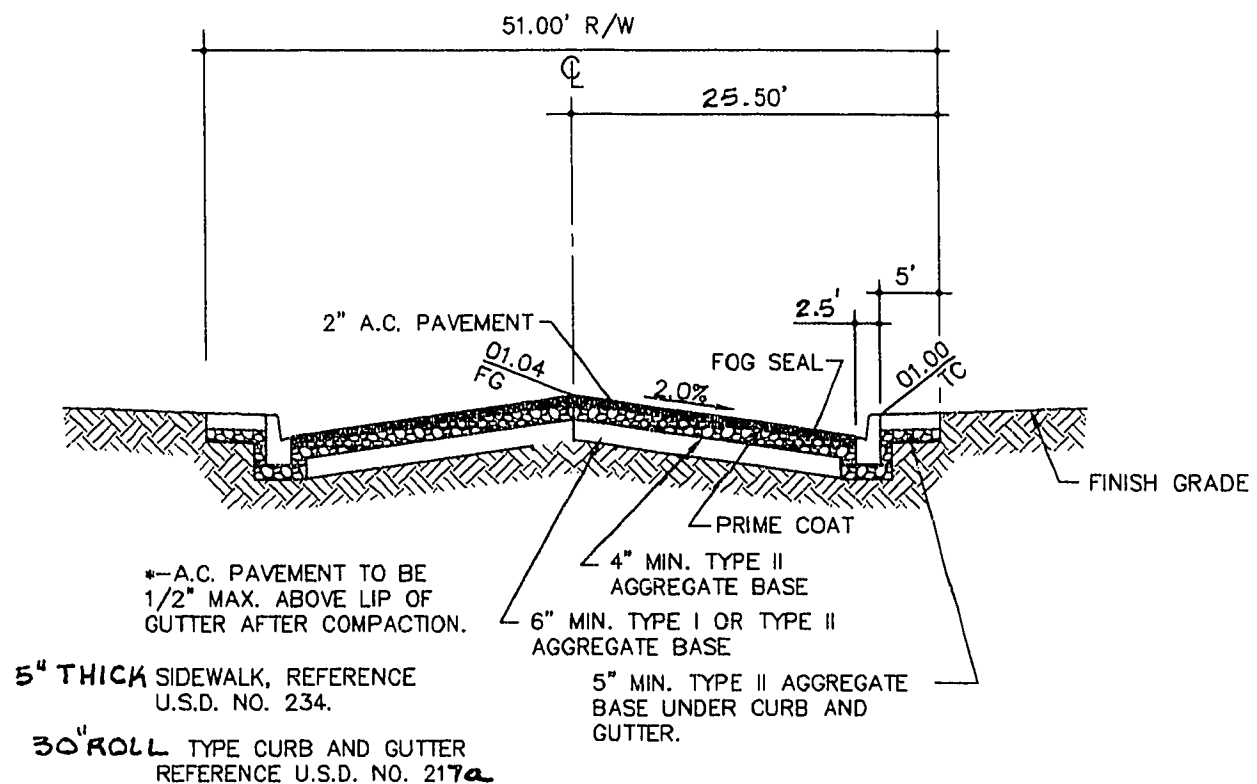
100' WIDE HALF STREET (U.S.D. #208)
 NO SCALE



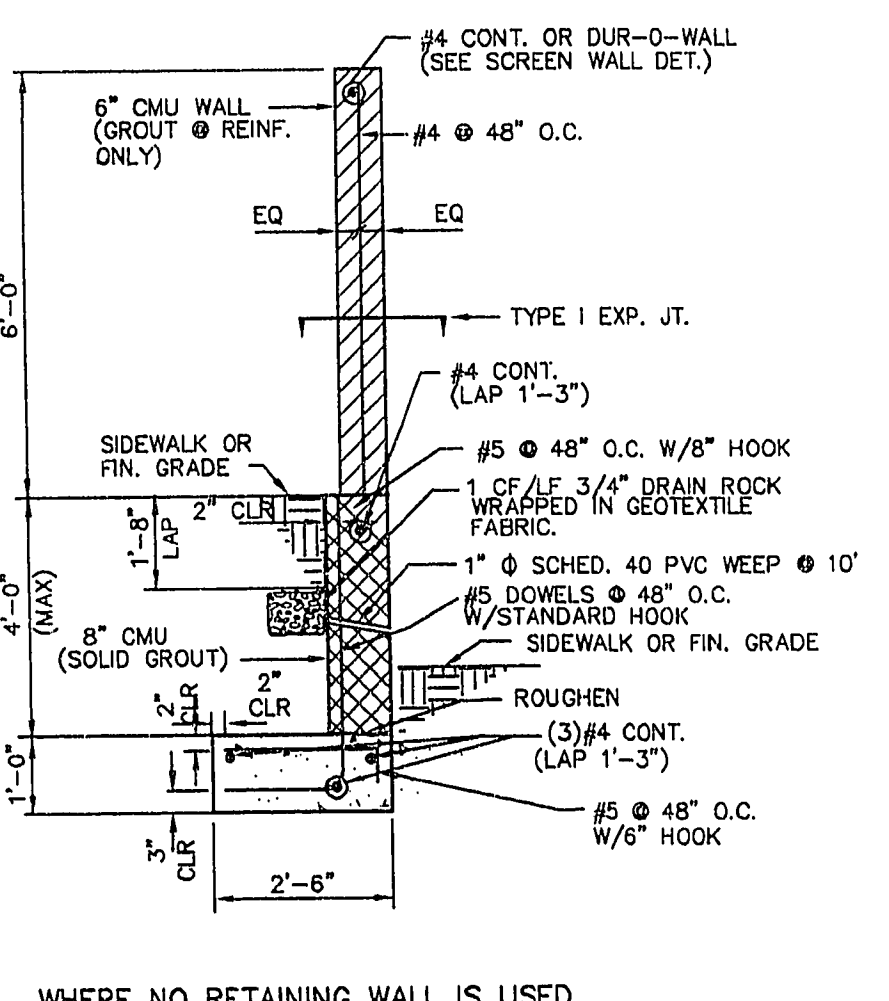
FLOODWALL DETAIL
 NO SCALE



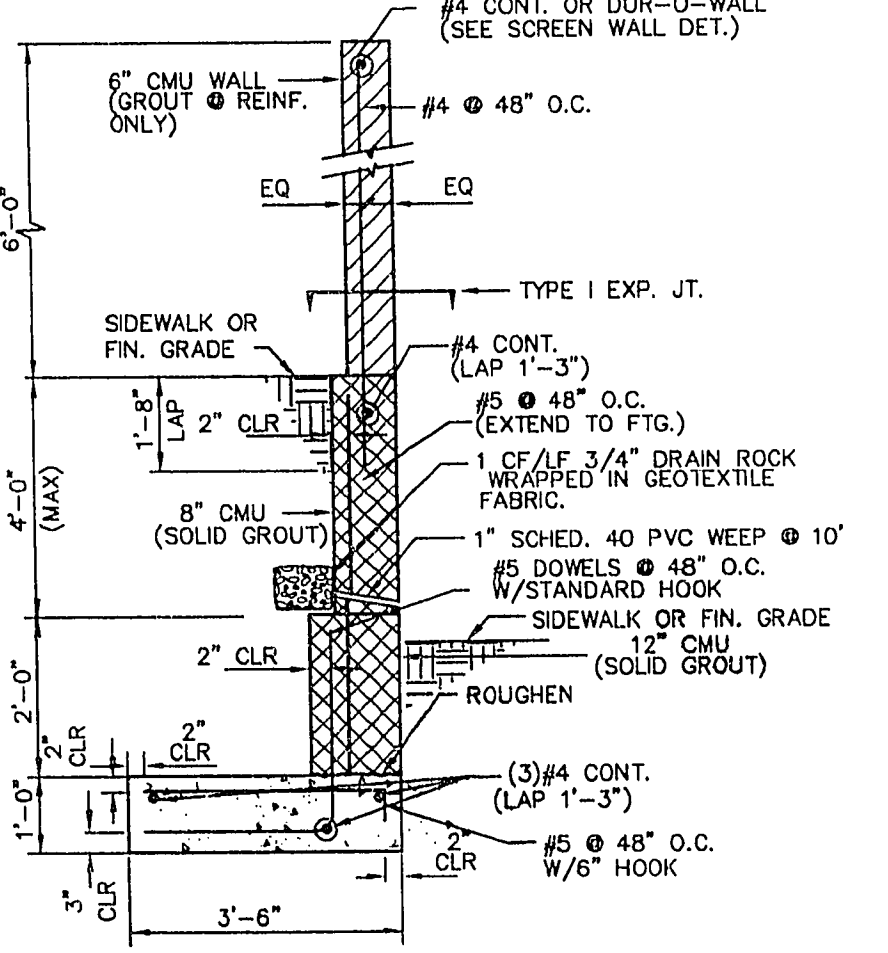
EXIST. CMU BLOCK WALL EXTEN. DET.
REAR YARD - LOTS 5, 6 & PORTION OF 7, BLOCK 2
 NO SCALE



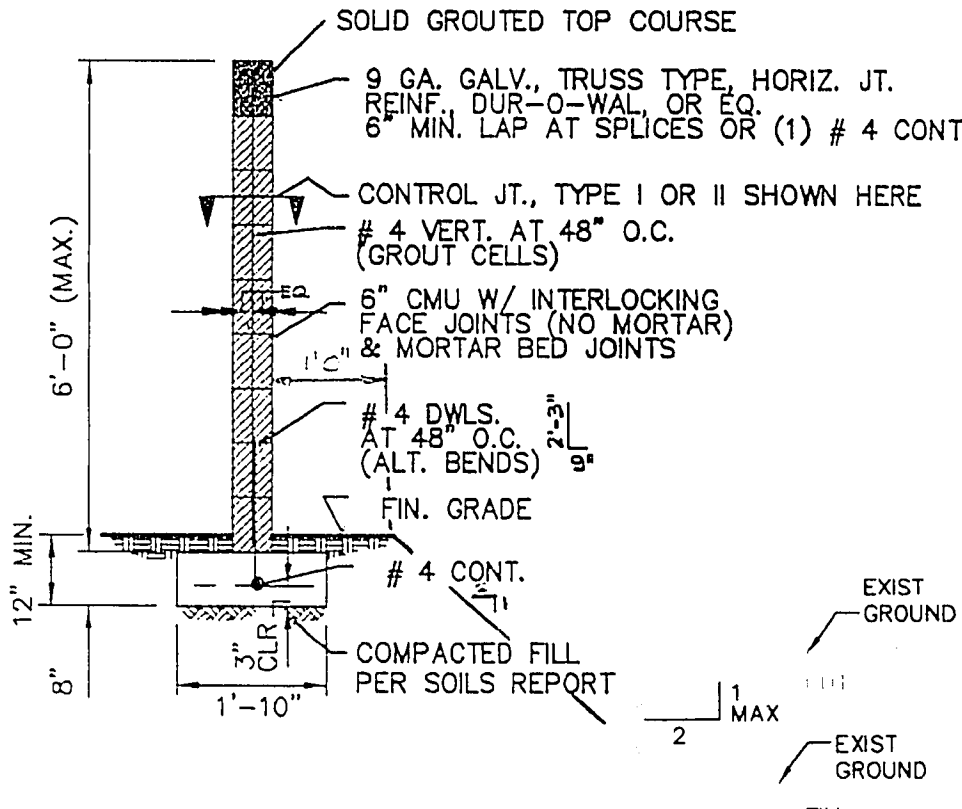
51' WIDE STREET (U.S.D. #207)
 NO SCALE



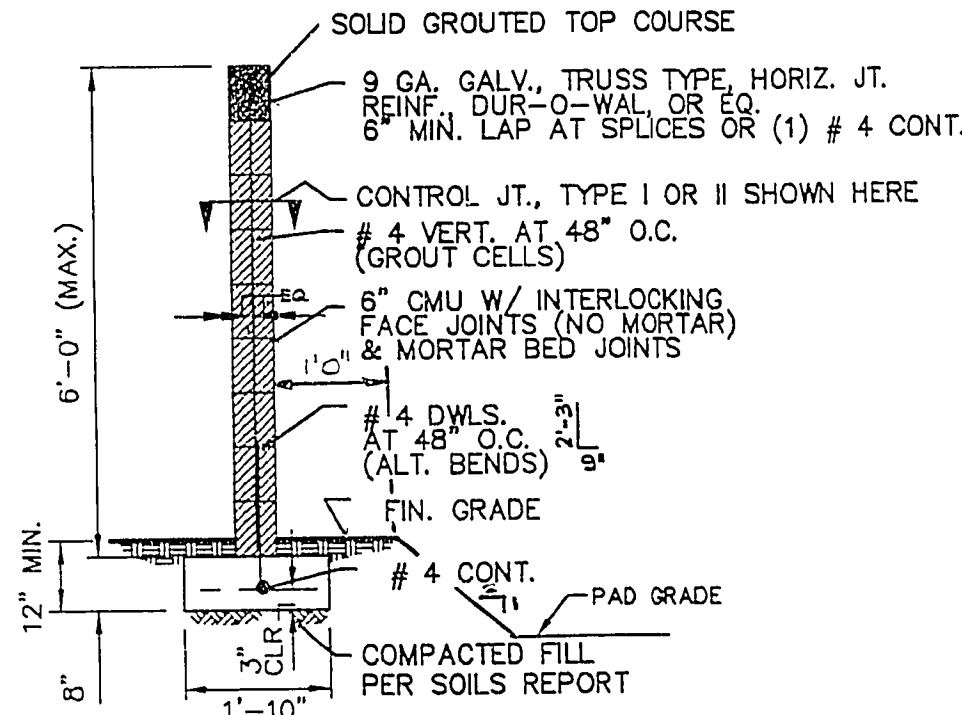
NOTE: SEE SECTION C & D FOR DESIGN CRITERIA.



SECTION
 NO SCALE

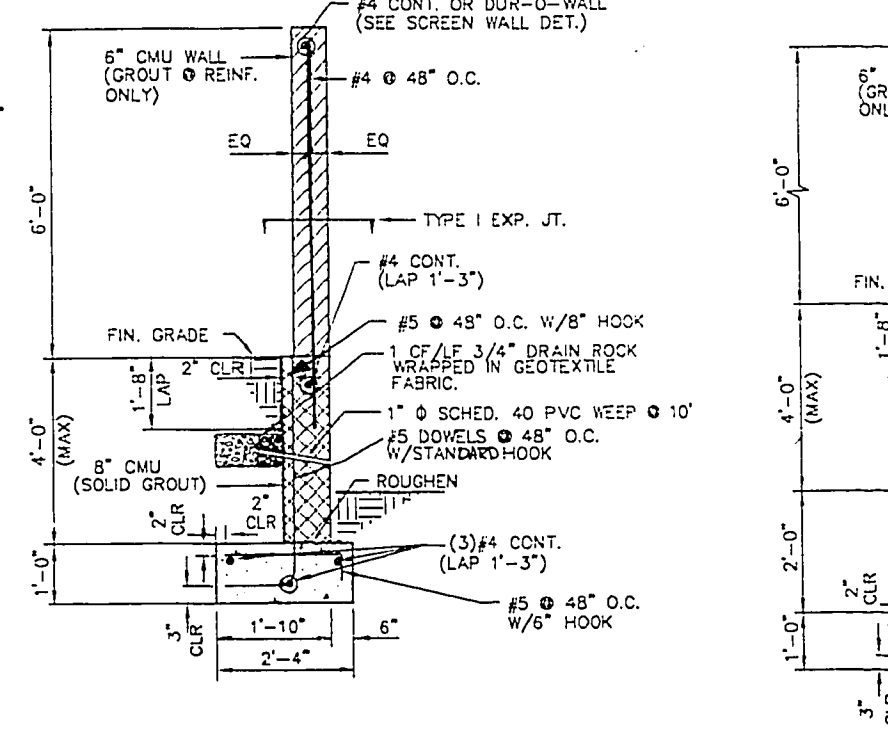


SECTION
 NO SCALE



WHERE NO RETAINING WALL IS USED

SECTION
 NO SCALE



WHERE RETAINING WALL IS USED

SECTION
 NO SCALE

SIDE YARD - TYPICAL SECTION
 NO SCALE

11-20-132

218-055-942 1074-4385-1