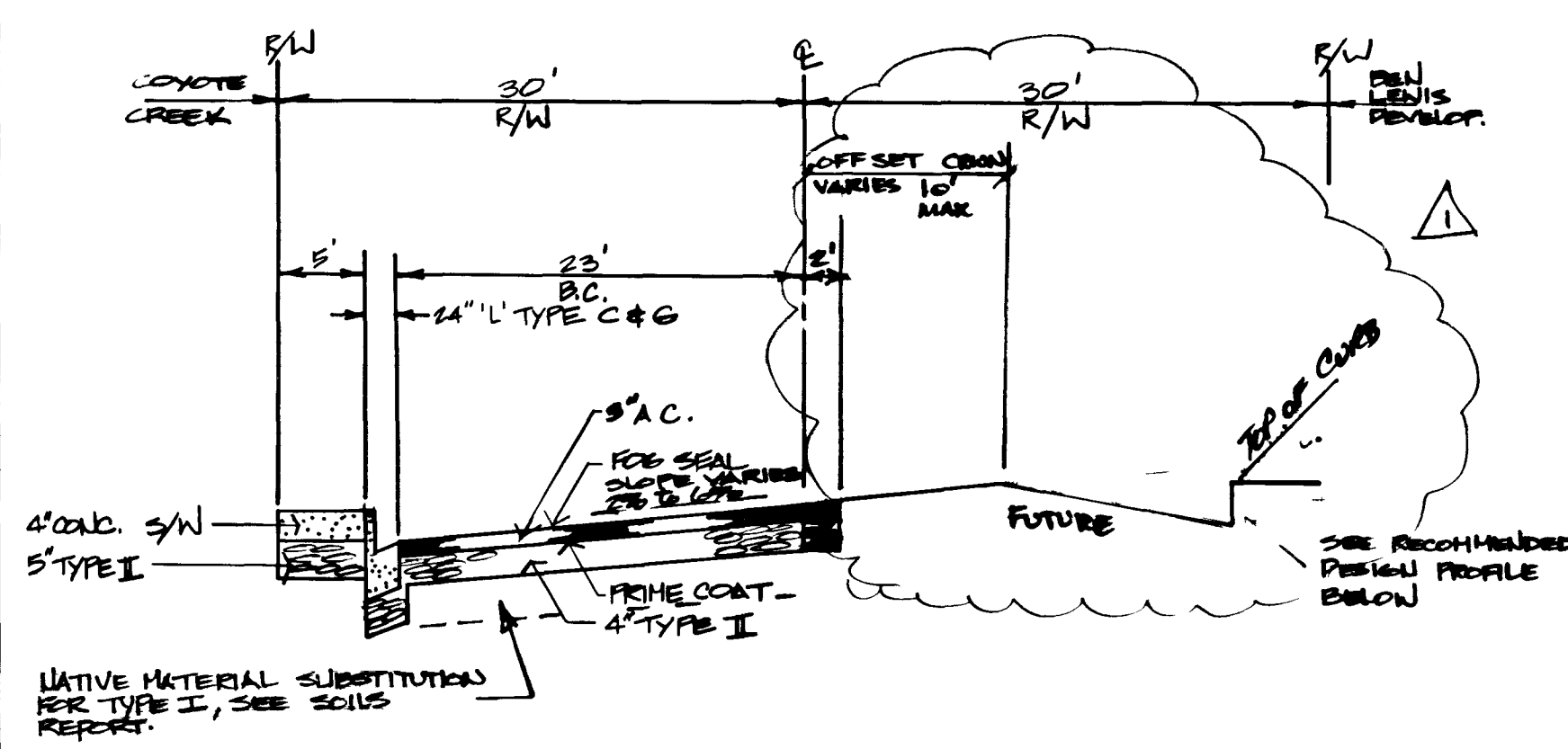
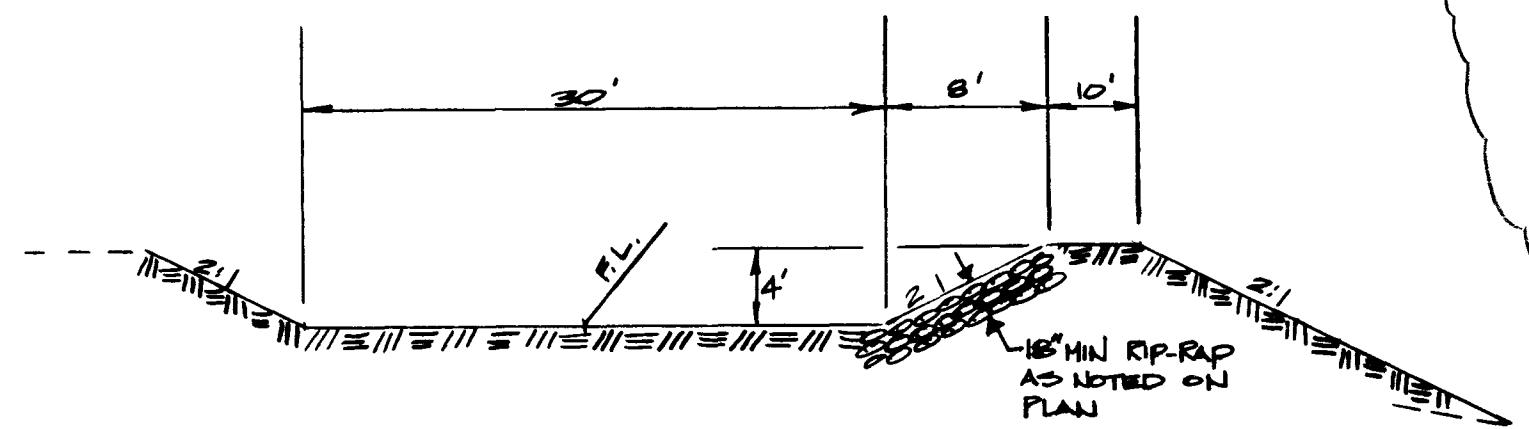


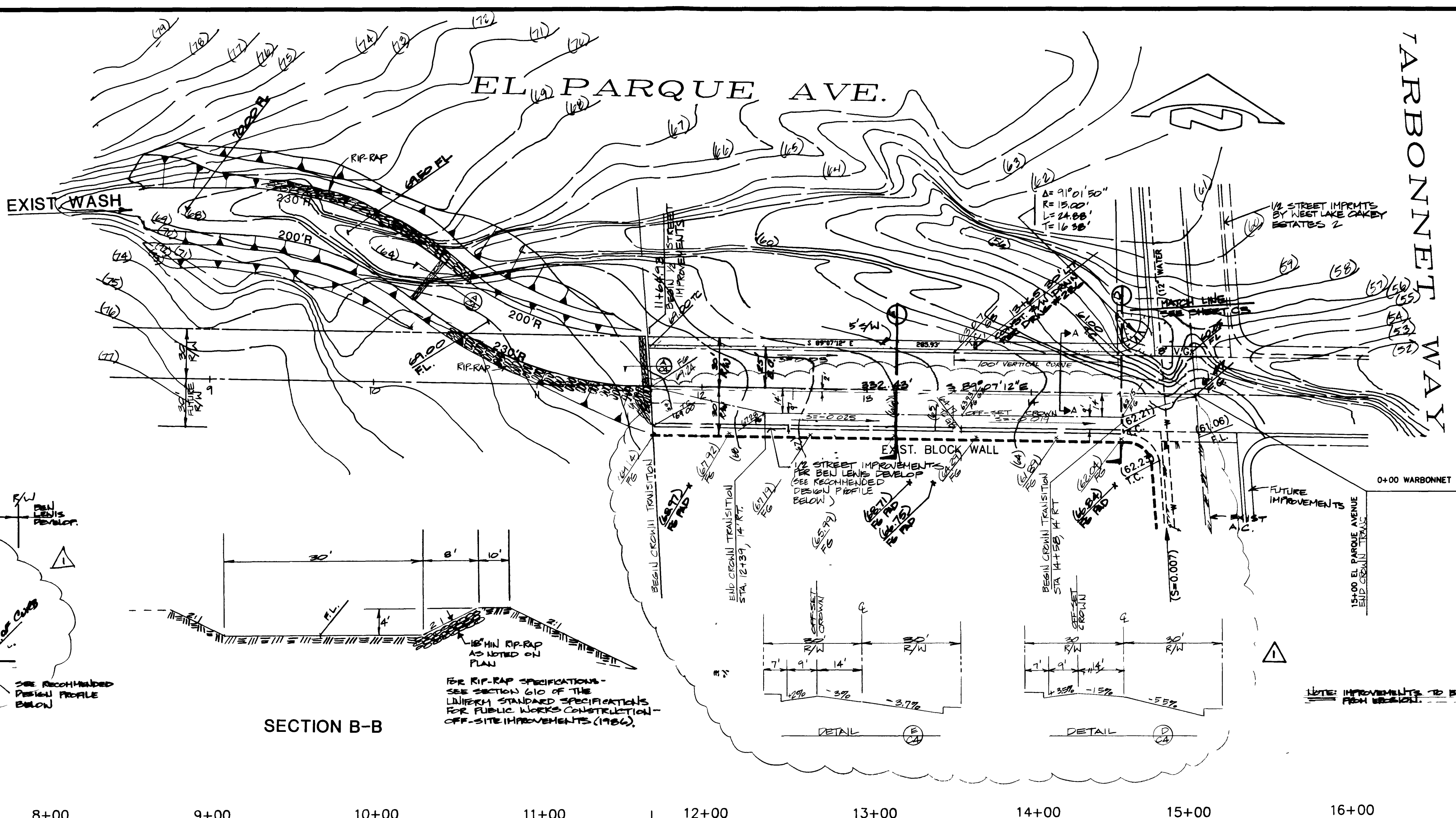
GRADE STABILIZER DETAIL (A)



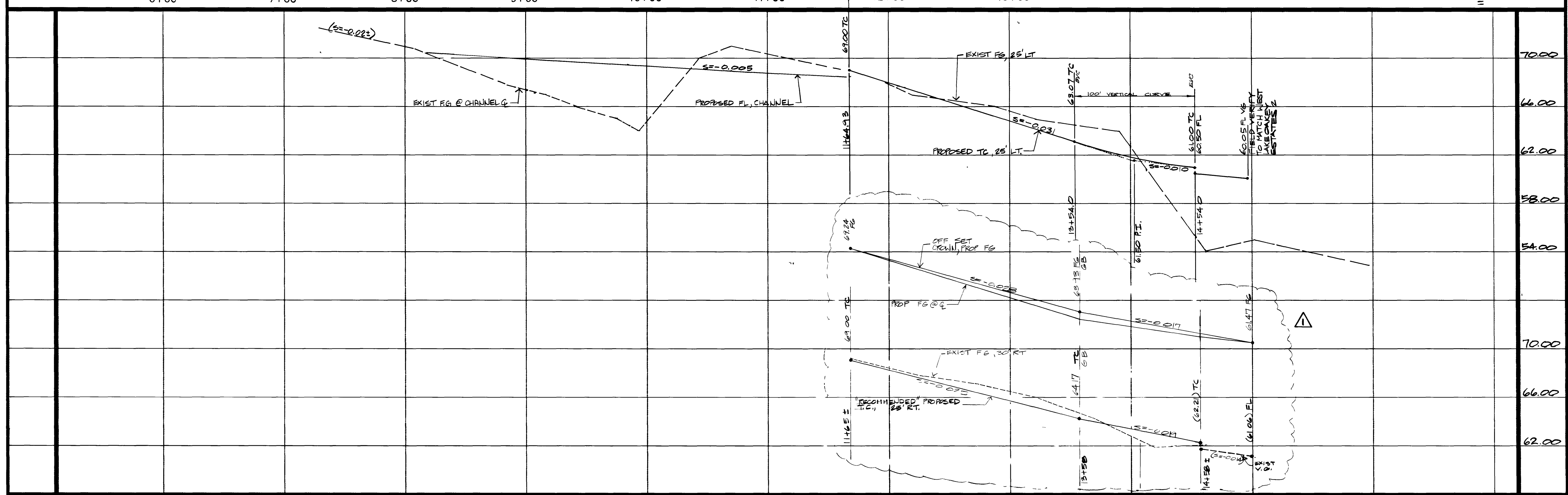
ROADWAY SECTION A-A



SECTION B-B



C.L.V. APPROVAL - REVISION  $\Delta$   
 DATE 12-2-84  
 CITY ENGINEER



62.00

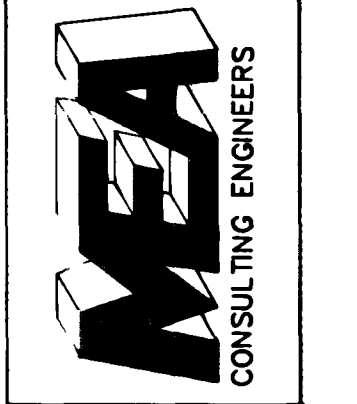
REVISIONS

No.	Date	Description
1	12/2/84	ISSUE FOR PERMITS
2	12/2/84	ISSUE FOR PERMITS

PREPARED FOR:  
**REINIGER**  
 AND ASSOCIATES, INC.  
 Scott G. Reinger  
 President

DESIGNED:  
 DRAWN:  
 CHECKED:  
 SCALE: HORIZ - 1"=40'  
 VERT - 1"=4'

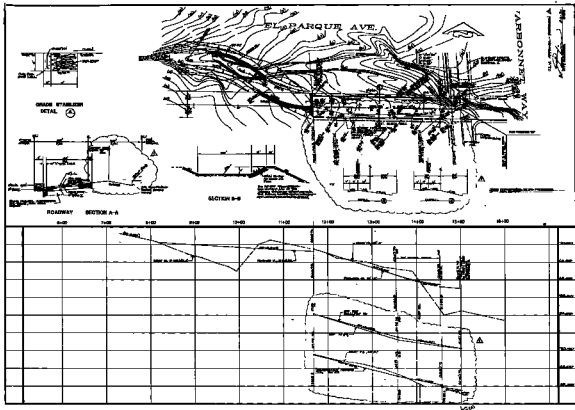
1500 EAST TROPICANA AVENUE  
 SUITE 125  
 LAS VEGAS, NEVADA 89119  
 (702) 798-1007



COYOTE CREEK  
 EL PARQUE AVENUE

SHEET  
**C4**  
 OF  
 11

1074-4061



PROJECT NO. \_\_\_\_\_  
 SHEET NO. \_\_\_\_\_  
 DATE \_\_\_\_\_  
 DRAWN BY \_\_\_\_\_  
 CHECKED BY \_\_\_\_\_  
 APPROVED BY \_\_\_\_\_  
 TITLE \_\_\_\_\_  
 COYOOTE CREEK  
 S. W. 1/4 SEC. 10, T. 10 N., R. 10 W., S. 1000  
 24 8  
 C