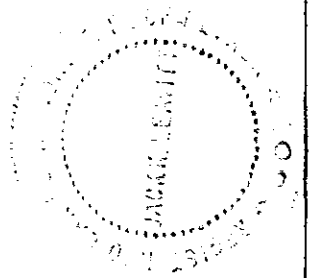


5 3 2 1 7 1 5 4 3 2 1

I, Jack K. Leavitt, Registered Professional Engineer and Land Surveyor, do hereby certify that this map truly and correctly represents the results of a survey made under my supervision and completed on the 15th day of February, 1964, of and for the City of Las Vegas, Nevada. This survey does not constitute a subdivision as defined by Nevada State Law.

Jack K. Leavitt
 JACK K. LEAVITT
 Registered Professional Engineer
 Land Surveyor E.L. 5807

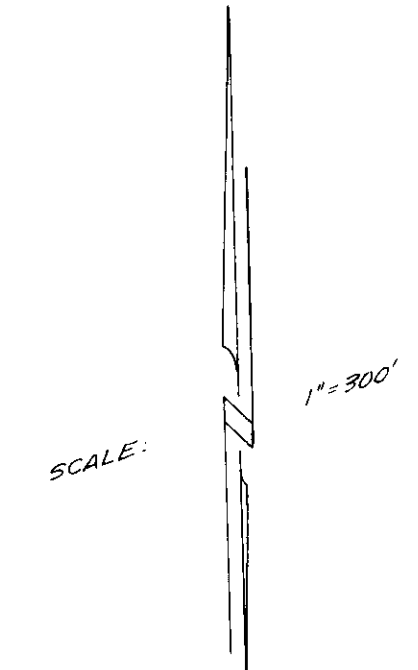


APPROVALS
 Approved this 9th day of Sept., 1964.

R. P. Sauef
 R. P. SAUEF
 City Engineer E.E. 396

LEGEND

- Indicates point found - as shown
 - Indicates point set - 3/8" reinforcing bar with aluminum cap tagged E.L. 5807-C.L.V. set in concrete.
 - *Origin of Bearings:* East Line Southwest 1/4 Section 19, T.20S, R.61E, M.D.B.&M, as per Book 5 of Plats, Page 65, Clark County Records, Clark County, Nevada
 - *Reference Surveys:* Registered Professional Engineer's File 12, Page 89, File 1, Page 3, File 4, Page 16, and Book 5 of Plats, Page 65, Clark County Records, Clark County, Nevada
 - Indicates point set - as shown
 - Indicates point set - 3/8" reinforcing bar with aluminum cap stamped E.L. 5807-C.L.V. set flush with surface of A.C. Paving
- Scale: 1" = 300'



NO. 473993
 FILED AT THE REQUEST OF
 CITY OF LAS VEGAS
 Date 12-2-64 at 11:01 A.M.
 FILE 15 PAGE 57
 of Surveys
 OFFICIAL RECORDS BOOK NO. 289
 CLARK COUNTY, NEVADA, RECORDS
 PAUL E. HORN, RECORDER
 Fee \$ dh gt Deputy

CITY OF LAS VEGAS, NEVADA
 CITY ENGINEERING DEPT.

BOUNDARY SURVEY OF PORTIONS OF SECTION 19, T.20S, R.61E, M.D.B.&M, CLARK COUNTY, NEVADA ANNEXED TO THE CITY OF LAS VEGAS, NEVADA UNDER ORDINANCE N^o 1101, 1096, 1053, 1033, & 1024

OWN BY <i>J. K. L.</i>	CHD BY	APPROVED	FILE REF
DATE	DATE	DATE	053-141