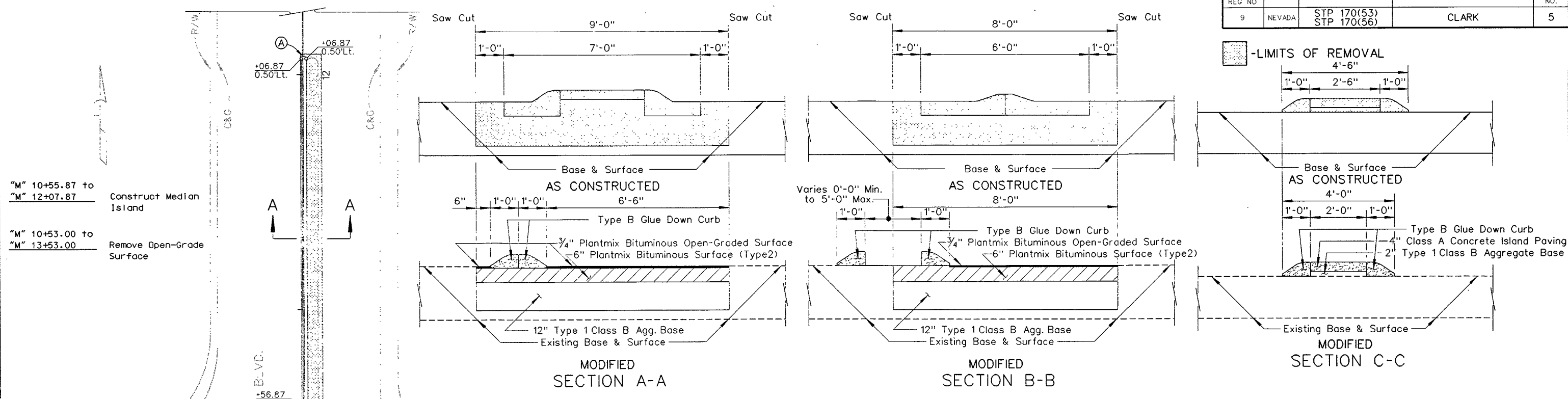
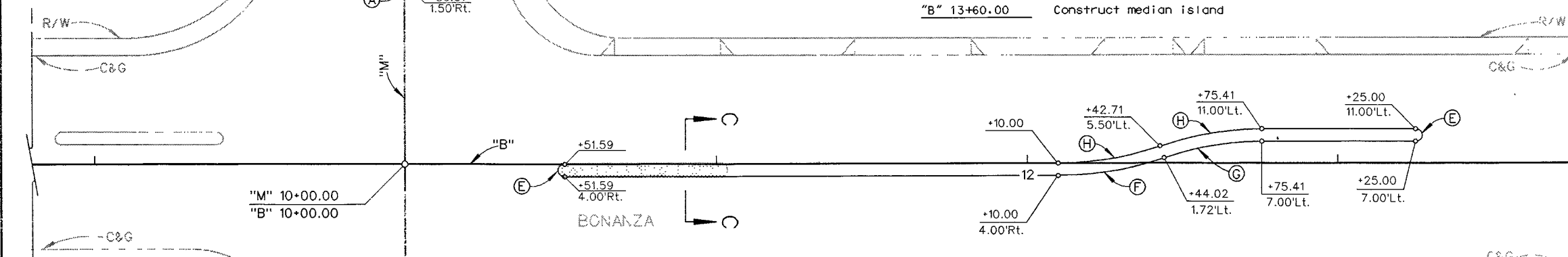


FED. RD. REG. NO.	STATE	PROJECT NO.	COUNTY	SHEET NO.
9	NEVADA	STP 170(53) STP 170(56)	CLARK	5

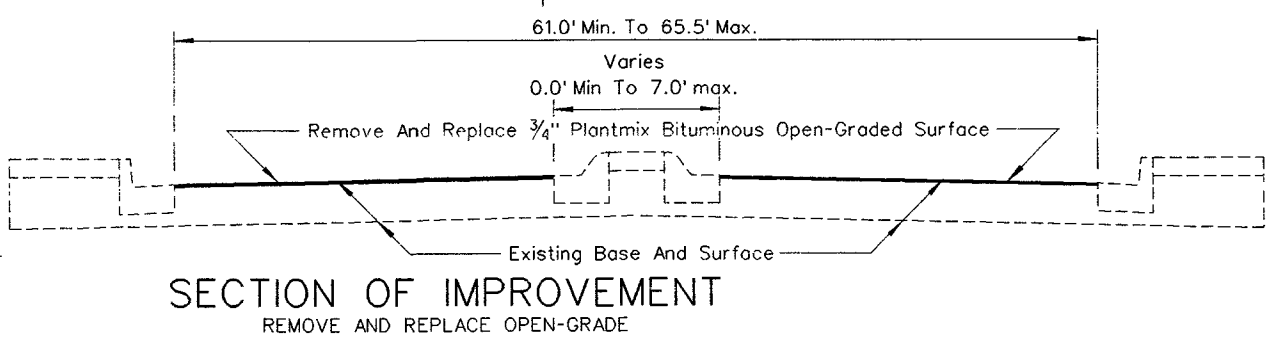
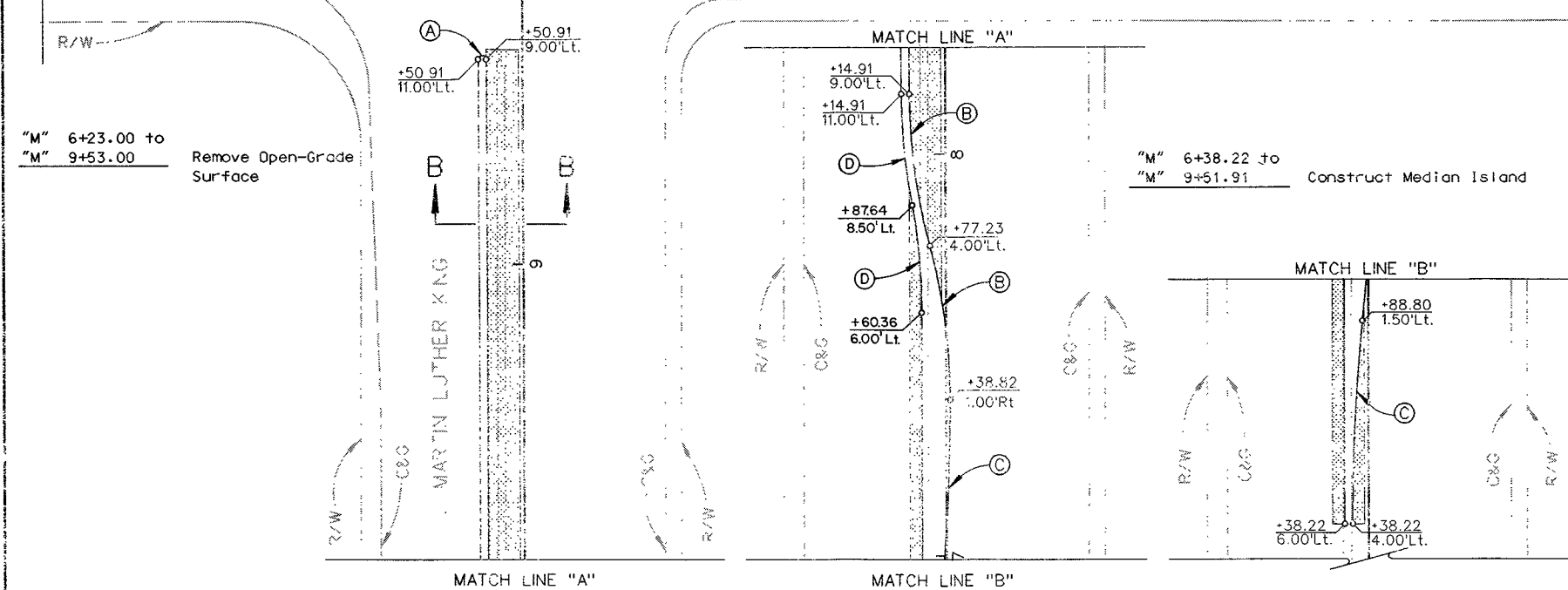


"M" 10+55.87 to "M" 12+07.87 Construct Median Island
 "M" 10+53.00 to "M" 13+53.00 Remove Open-Grade Surface

"B" 10+49.59 to "B" 13+60.00 Construct median island



ISLAND CURVE DATA				
Δ	R	L	T	
A 180°00'00"	1.00'	3.14'	∞	
B 14°50'06"	150.00'	38.84'	19.53'	
C 5°43'55"	500.00'	50.02'	25.03'	
D 10°28'31"	150.00'	27.42'	13.75'	
E 180°00'00"	2.00'	6.28'	∞	
F 18°43'01"	104.00'	33.97'	17.14'	
G 19°29'19"	96.00'	32.65'	16.49'	
H 19°05'28"	100.00'	33.32'	16.82'	



SECTION OF IMPROVEMENT
REMOVE AND REPLACE OPEN-GRADE

"M" 6+23.00 P.O.T. TO "M" 9+23.00 P.O.T.
 "M" 10+53.00 P.O.T. TO "M" 13+53.00 P.O.T.

STATE OF NEVADA
DEPARTMENT OF TRANSPORTATION

ISLAND GEOMETRICS