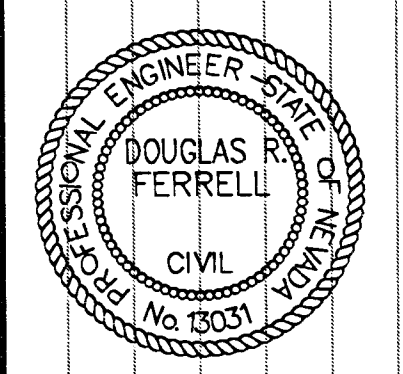


Disclaimer: These record drawings prepared by Lucchesi Architects, Inc. are based on information provided by others. Lucchesi Architects, Inc. has not verified the accuracy and/or completeness of its information supplied by others, and shall not be responsible for any errors or omissions, which may be incorporated herein as a result.

CITY OF LAS VEGAS
 CENTENNIAL HILLS COMMUNITY CENTER
 RECORD DRAWINGS
 TEACHING / INDOOR POOL SECTIONS

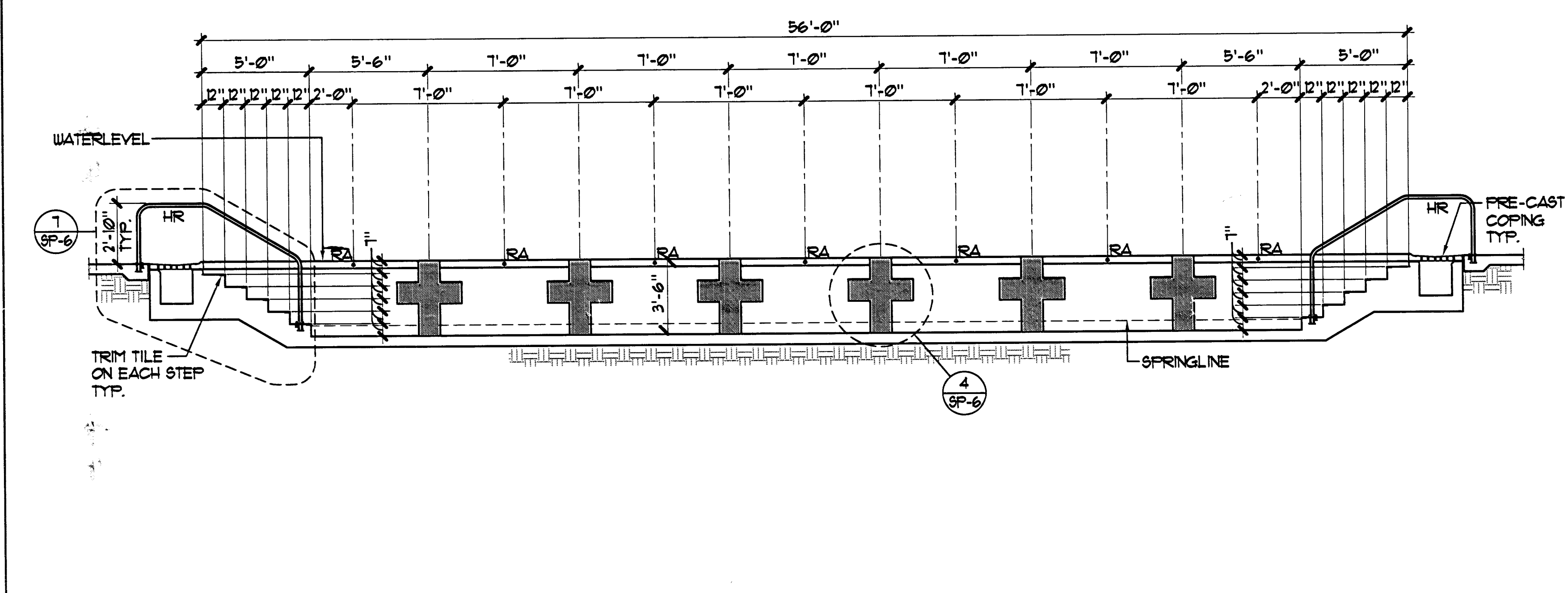


OWNER: CITY OF LAS VEGAS
 DEPARTMENT OF PUBLIC WORKS
 ARCHITECTURAL SERVICES

400 EAST STEWART AVENUE
 LAS VEGAS, NEVADA 89101
 PHONE: (702) 229-5535
 FAX: (702) 384-8846
 TDD: (702) 386-9108

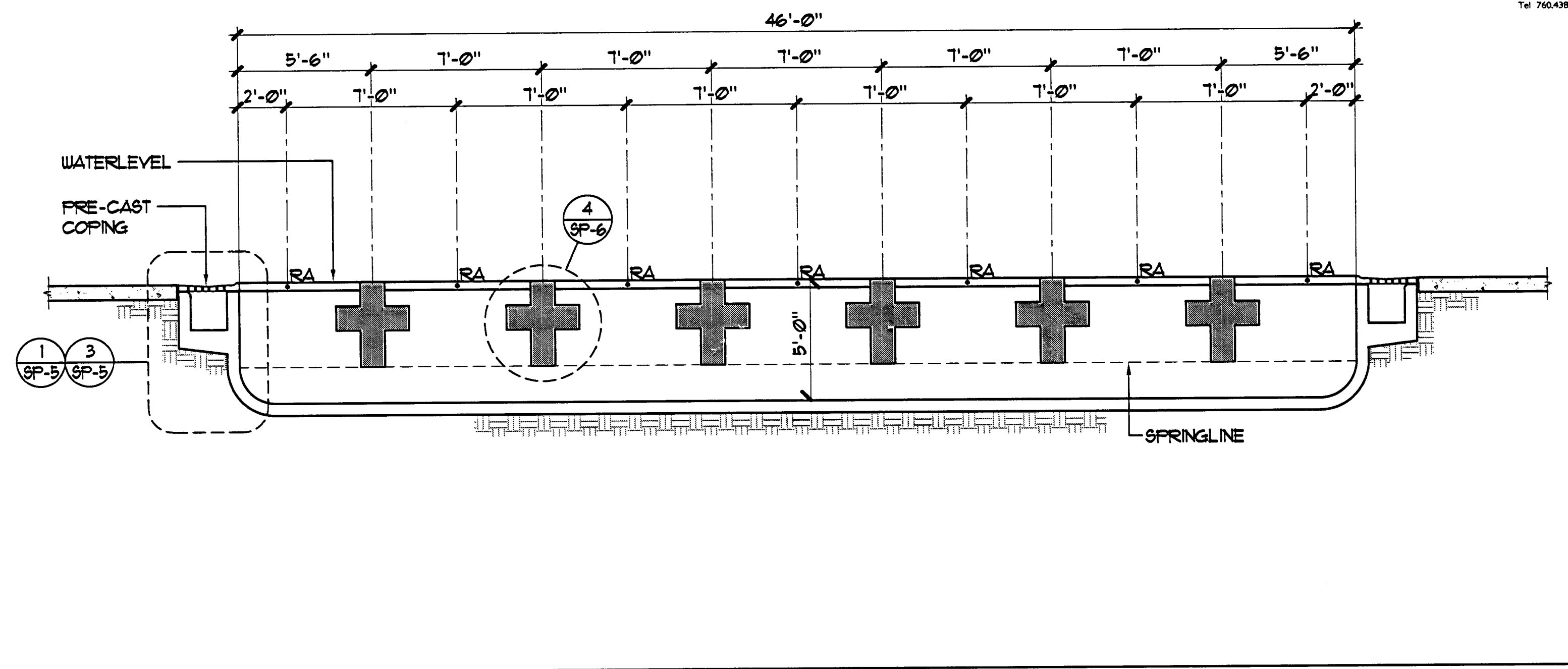
DATE	REV
TITLE	CE-114
DATE	05/04/05
SCALE	AS NOTED
NO	05.15341.01
REVISED	6.11.05

IP-4



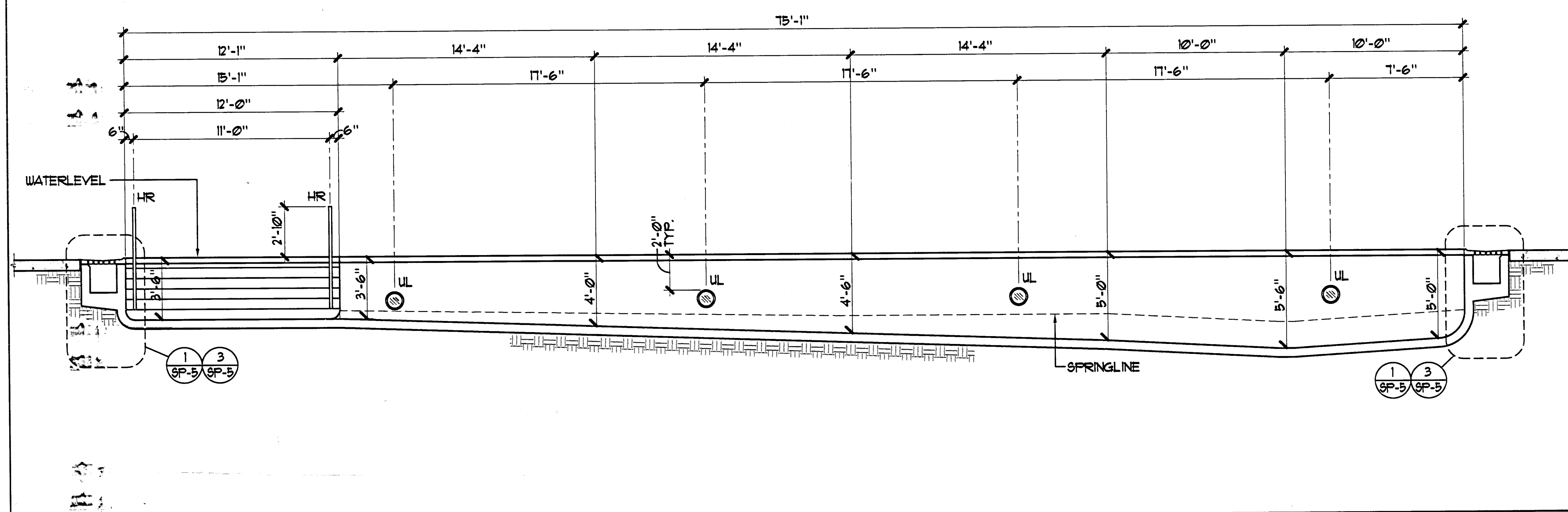
INDOOR POOL SECTION 1/4"=1'-0"

A



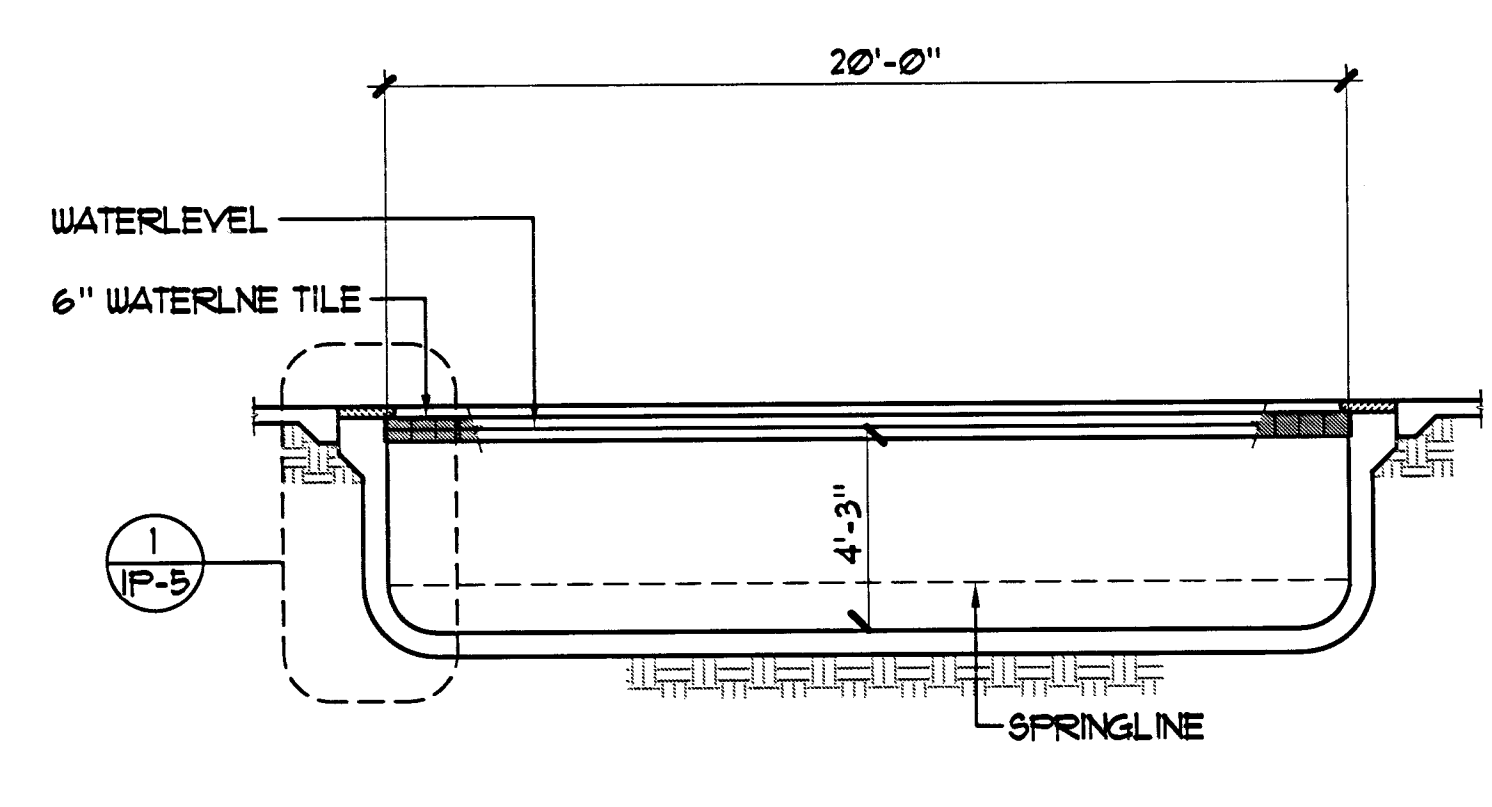
INDOOR POOL SECTION 1/4"=1'-0"

B



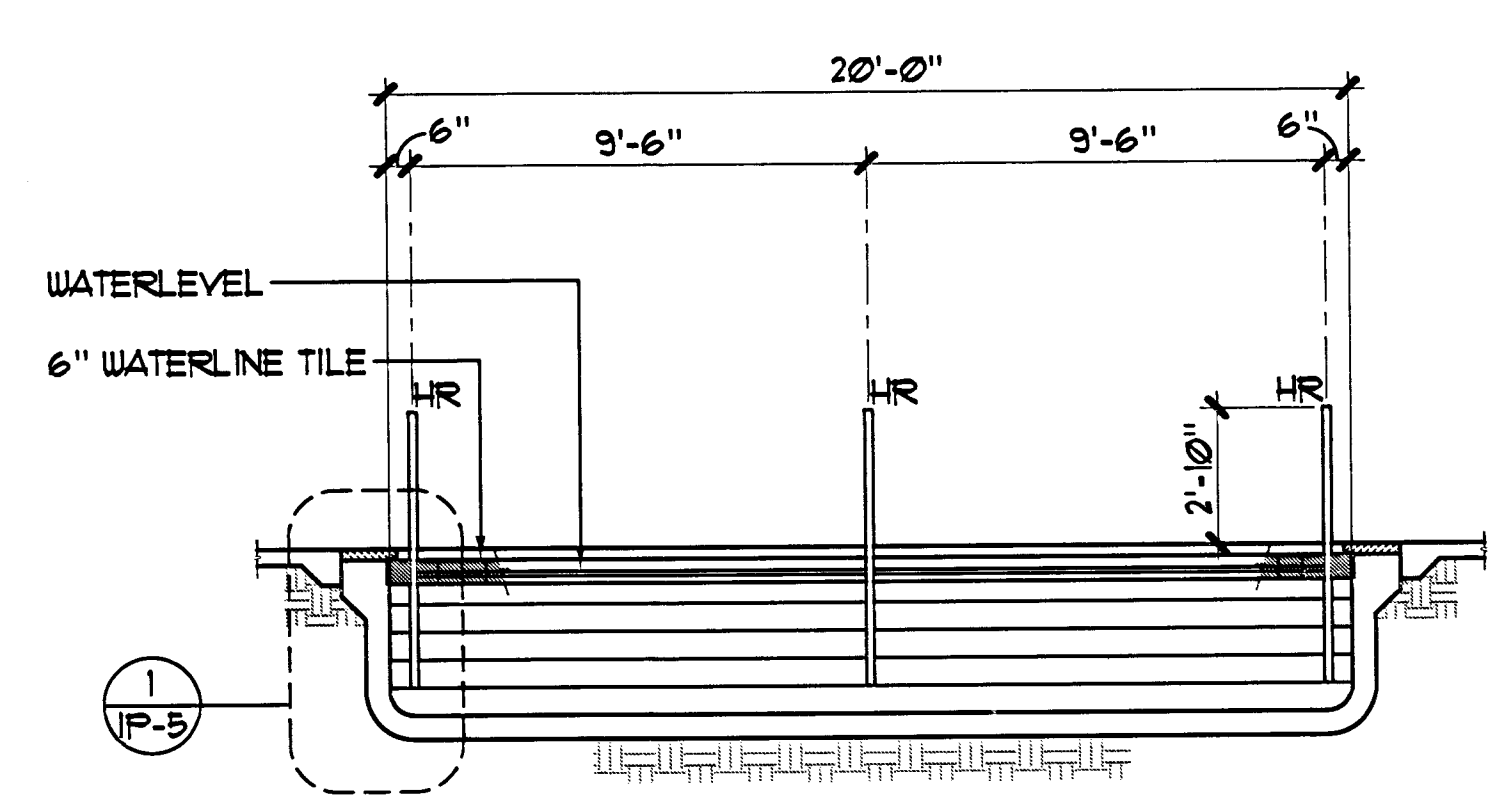
INDOOR POOL SECTION 1/4"=1'-0"

C



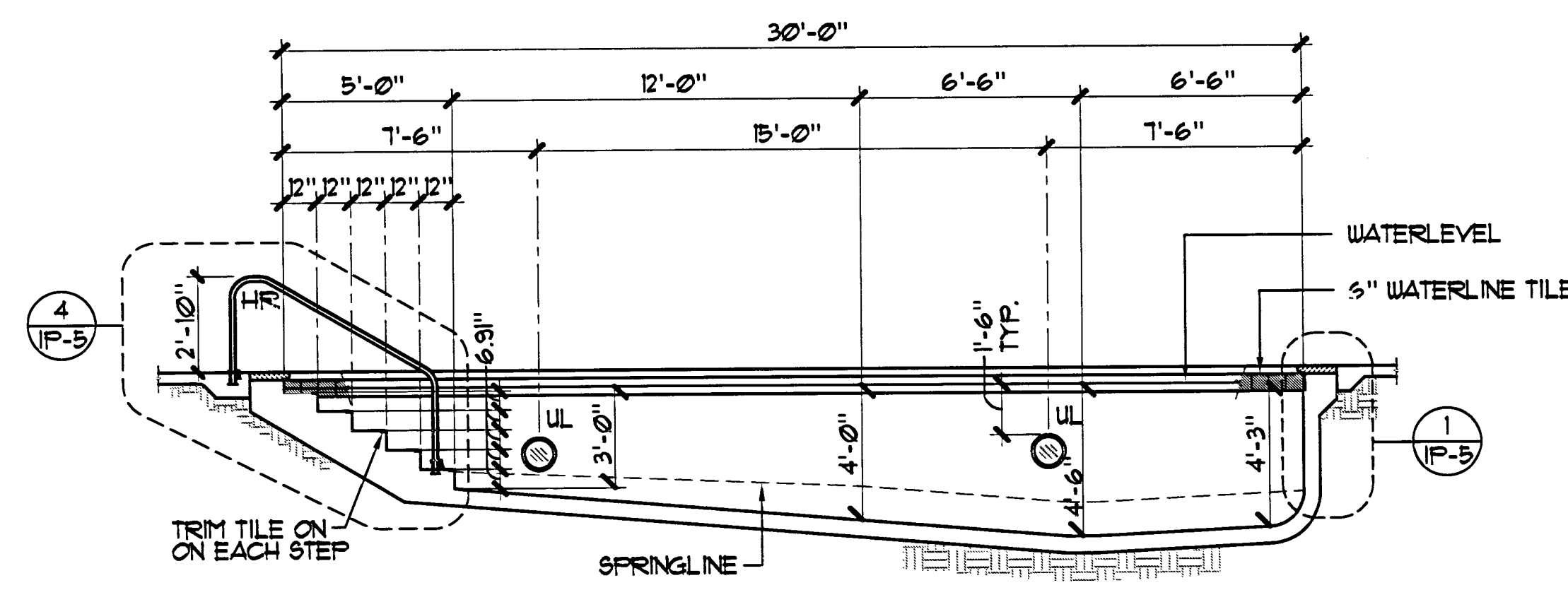
TEACHING POOL SECTION 1/4"=1'-0"

D



TEACHING POOL SECTION 1/4"=1'-0"

E



TEACHING POOL SECTION 1/4"=1'-0"

F

076 IP4.TIF 1271403