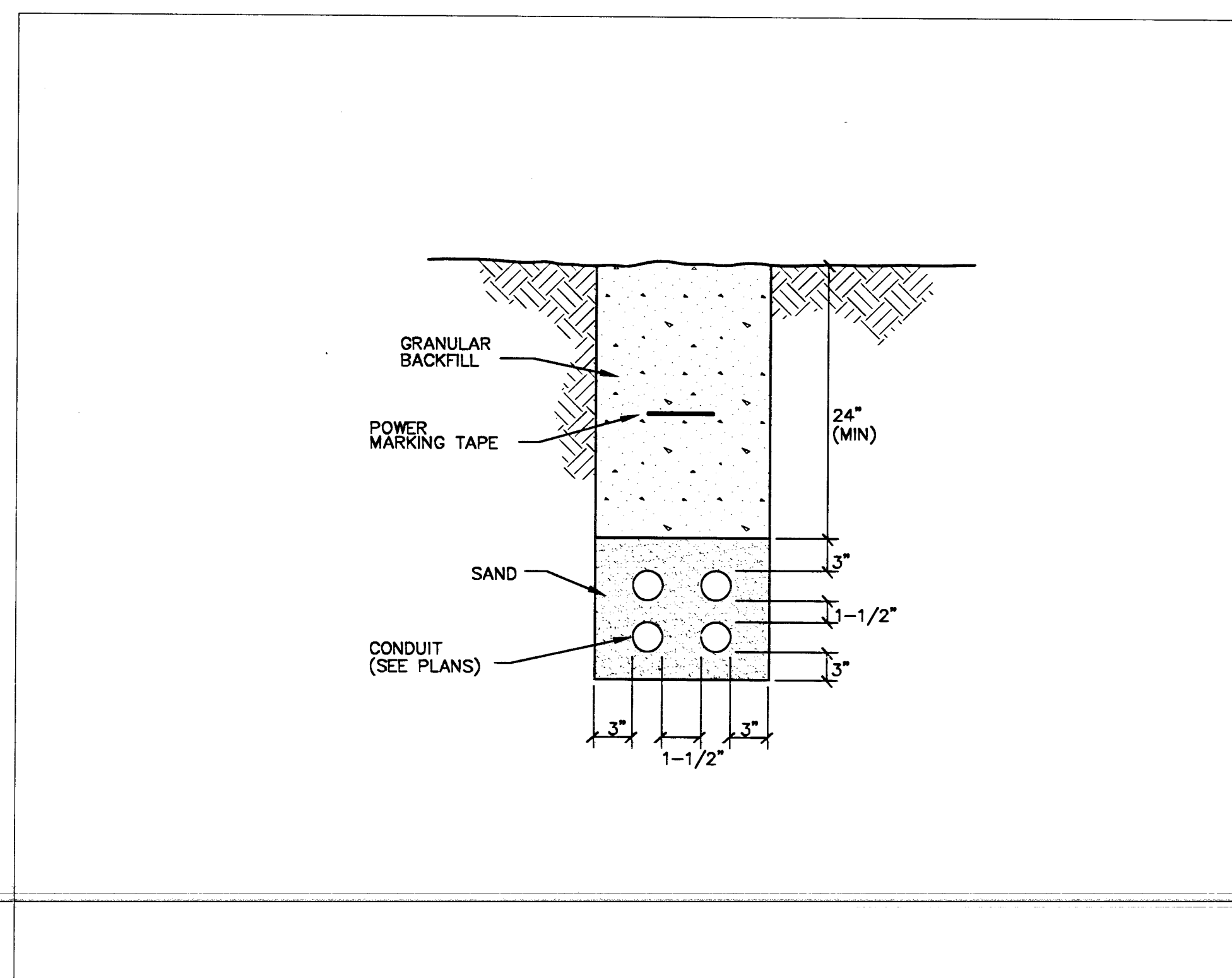
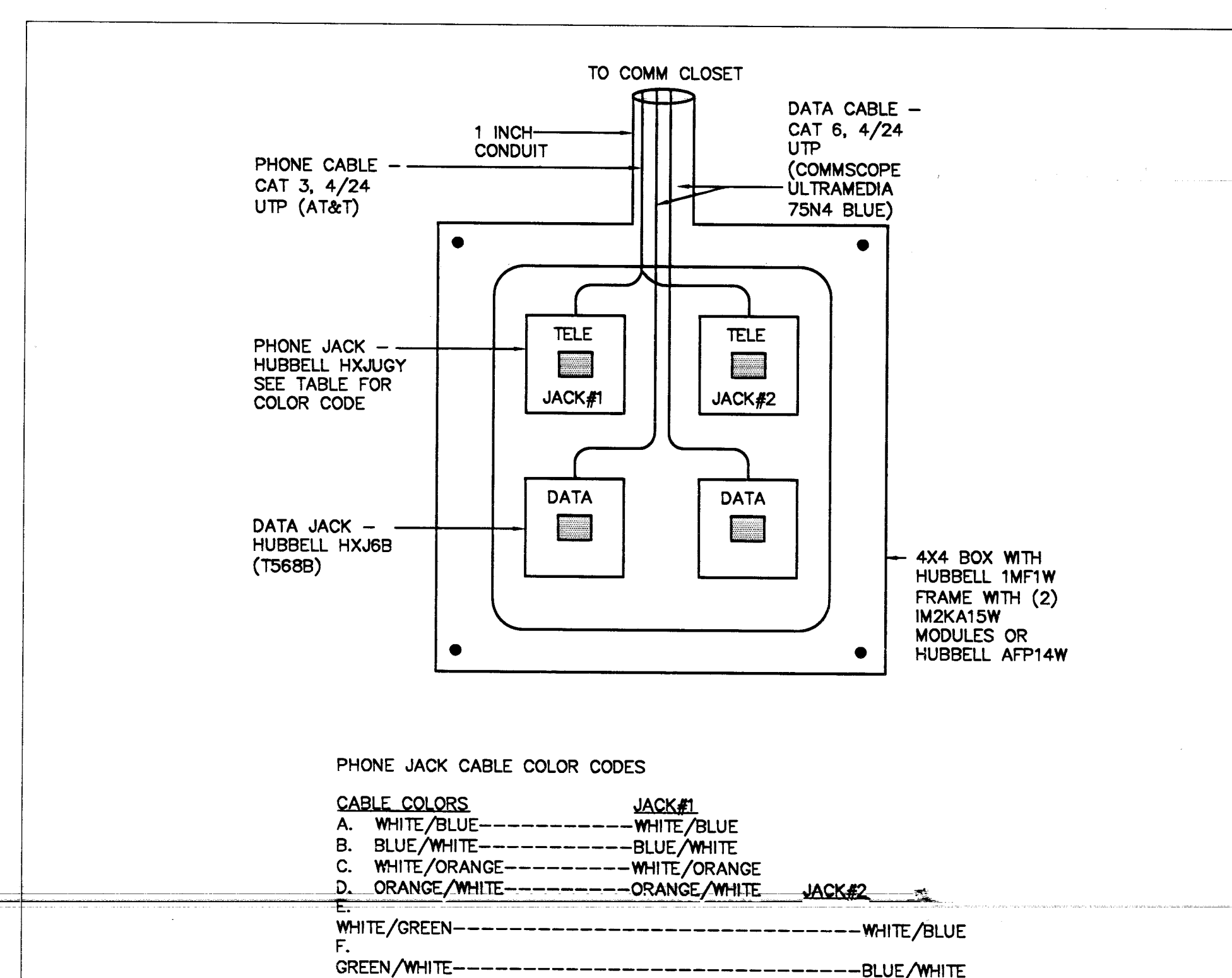


\*POOL EQUIPMENT ONLY.

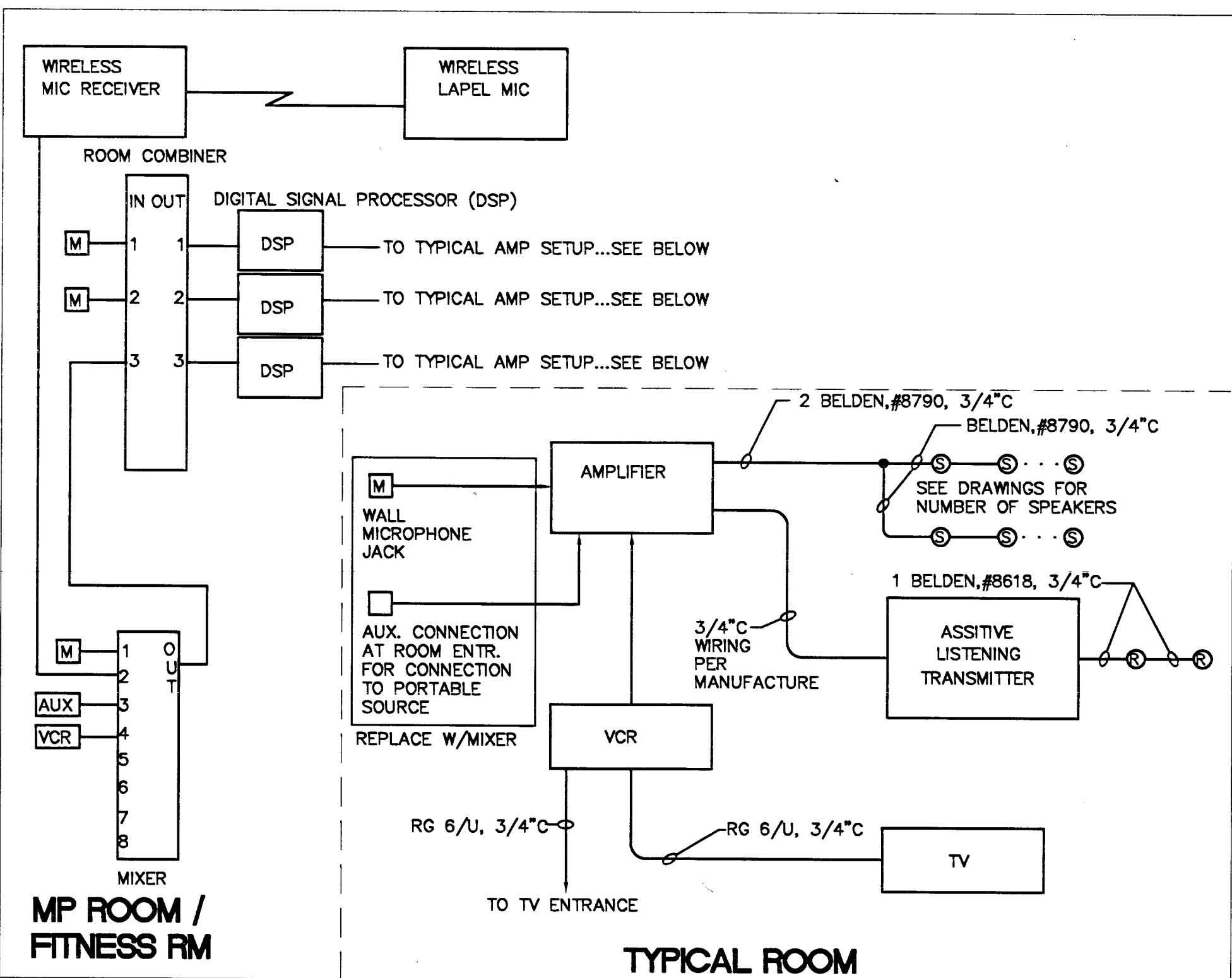
**1 MOTOR STARTER DIAGRAM**  
E4.01 NOT TO SCALE



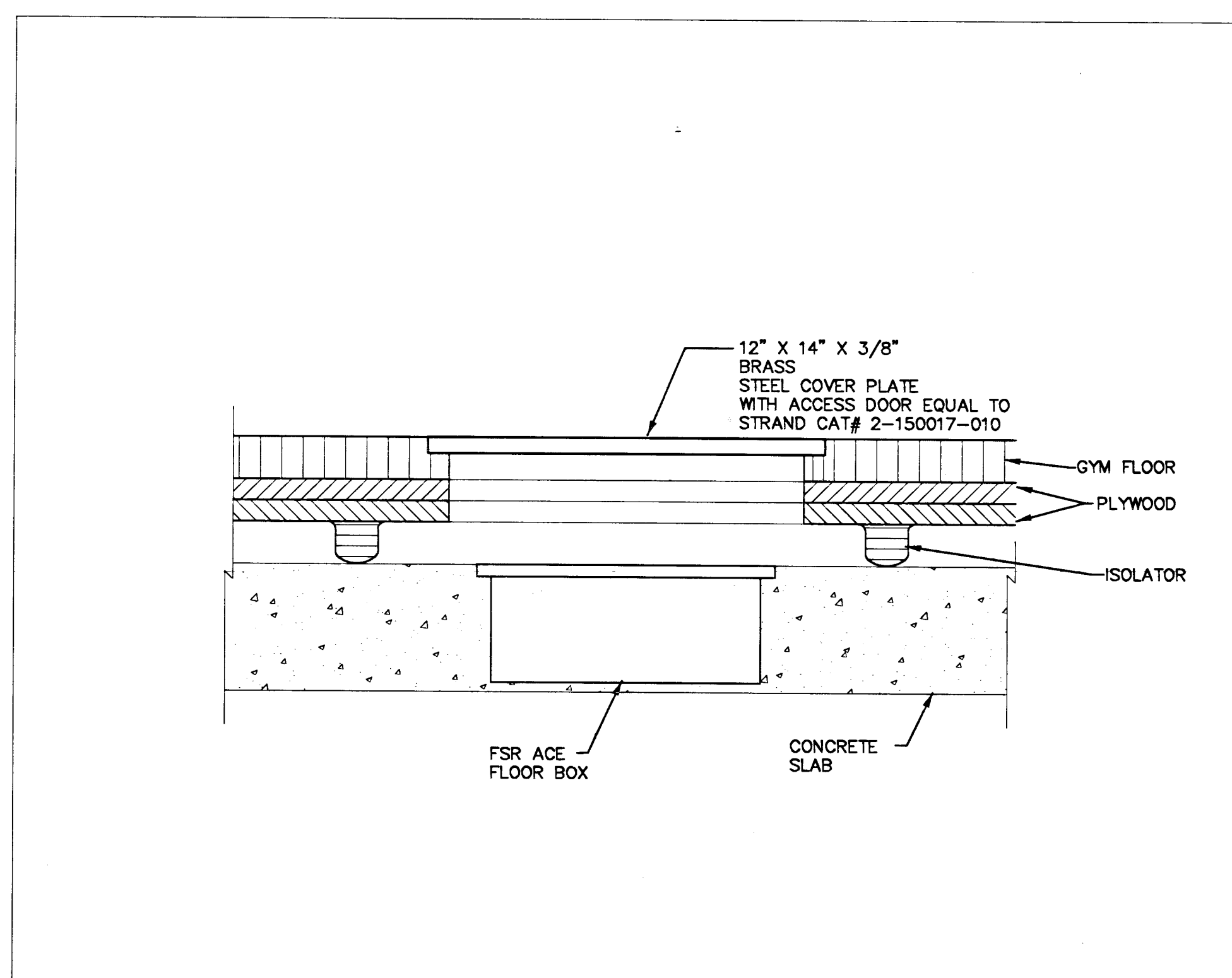
**2 TRENCH DETAIL**  
E4.01 NOT TO SCALE



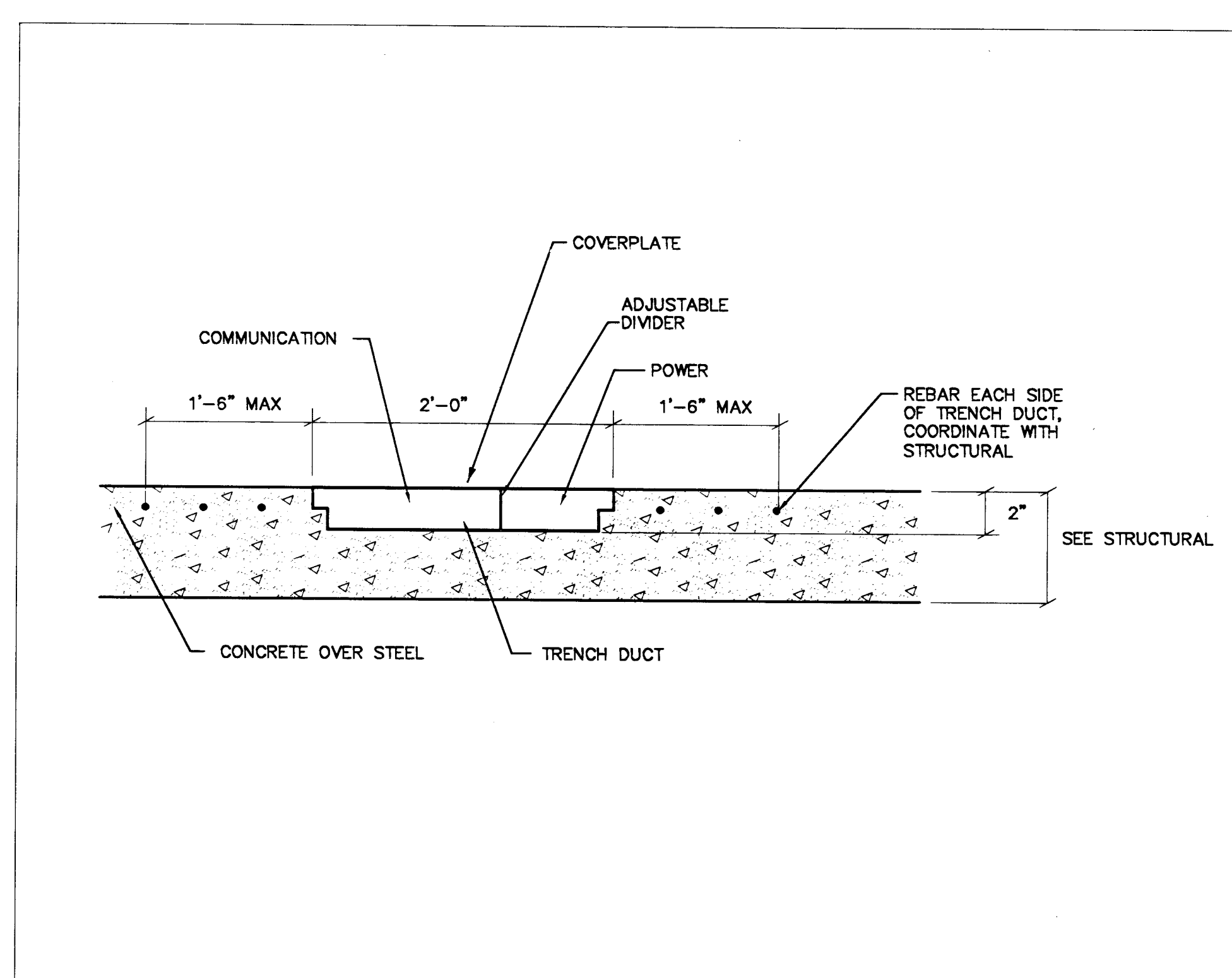
**3 TYPICAL COMMUNICATION OUTLET DETAIL**  
E4.01 NOT TO SCALE



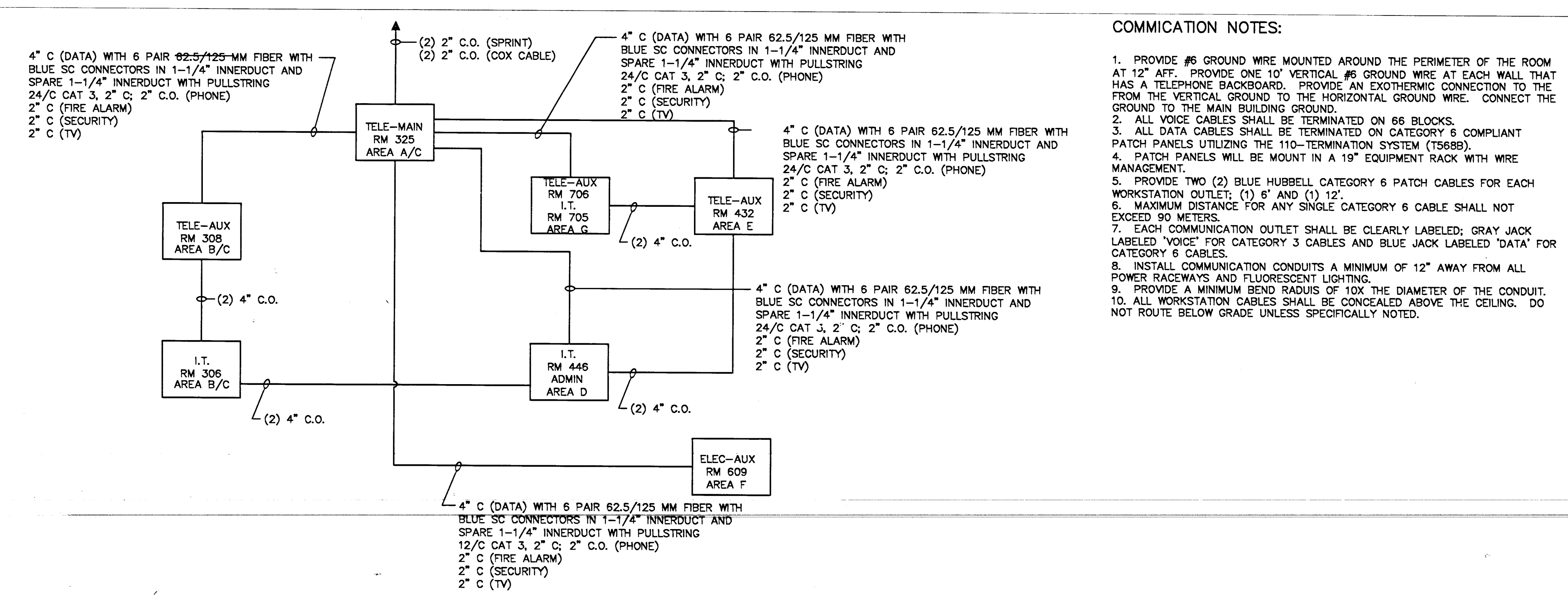
**4 SOUND SYSTEM BLOCK DIAGRAM**  
E4.01 NOT TO SCALE



**5 GYM FLOOR BOX AND COVER DETAIL**  
E4.01 NOT TO SCALE



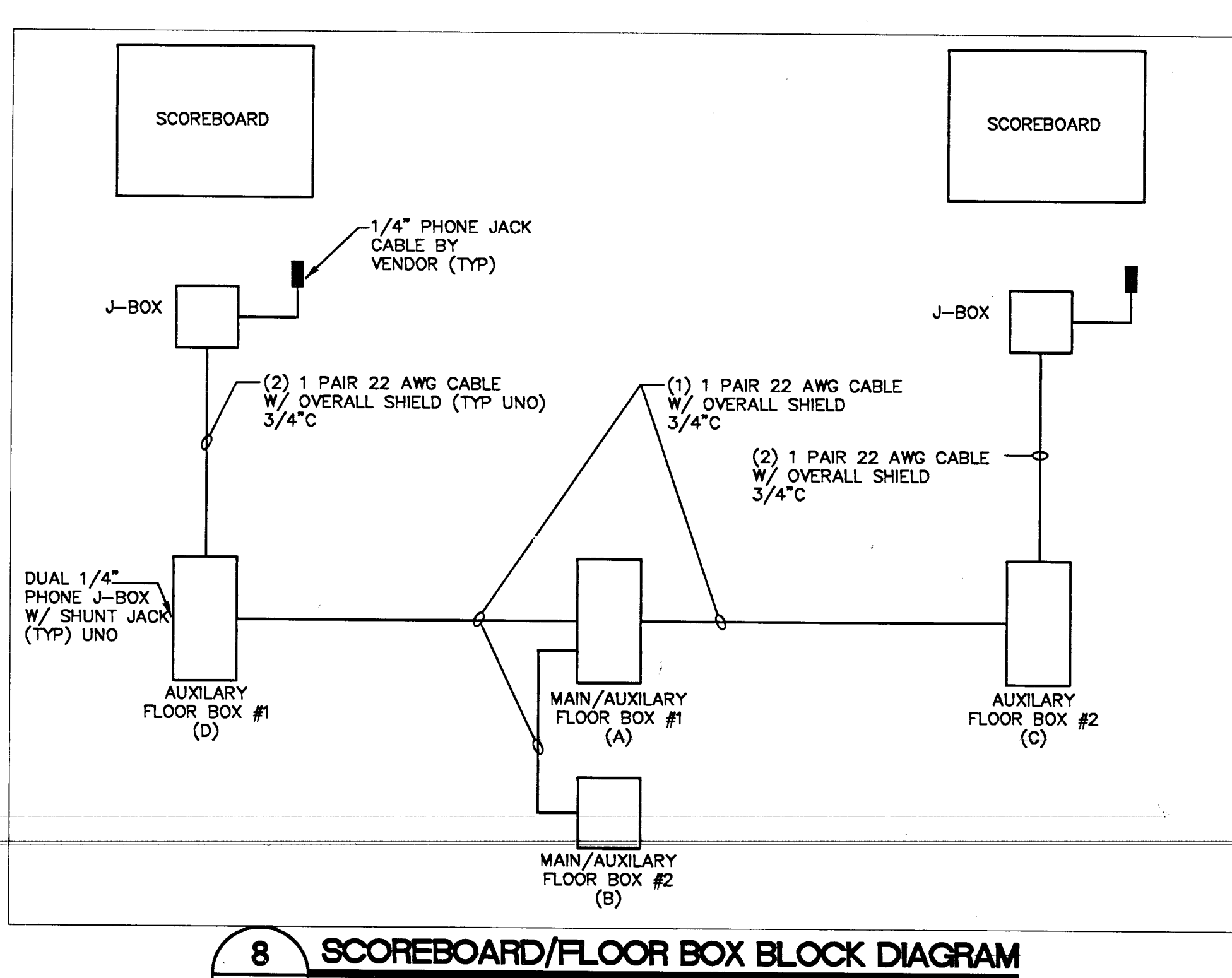
**6 TRENCH DUCT DETAIL**  
E4.01 NOT TO SCALE



**COMMUNICATION NOTES:**

1. PROVIDE #8 GROUND WIRE MOUNTED AROUND THE PERIMETER OF THE ROOM AT 12" AFT. PROVIDE ONE 10' VERTICAL #8 GROUND WIRE AT EACH WALL THAT HAS A TELEPHONE BACKBOARD. PROVIDE AN EXOTHERMIC CONNECTION TO THE GROUND TO THE MAIN BUILDING GROUND.
2. ALL VOICE CABLES SHALL BE TERMINATED ON 66 BLOCKS.
3. ALL DATA CABLES SHALL BE TERMINATED ON CATEGORY 6 COMPLIANT PATCH PANELS UTILIZING THE 110-TERMINATION SYSTEM (T568B).
4. PATCH PANELS WILL BE MOUNT IN A 19" EQUIPMENT RACK WITH WIRE MANAGEMENT.
5. PROVIDE TWO (2) BLUE HUBBELL CATEGORY 6 PATCH CABLES FOR EACH WORKSTATION OUTLET; (1) 6" AND (1) 12".
6. MAXIMUM DISTANCE FOR ANY SINGLE CATEGORY 6 CABLE SHALL NOT EXCEED 90 METERS.
7. EACH COMMUNICATION OUTLET SHALL BE CLEARLY LABELED; GRAY JACK LABELED 'VOICE' FOR CATEGORY 3 CABLES AND BLUE JACK LABELED 'DATA' FOR CATEGORY 6 CABLES.
8. INSTALL COMMUNICATION CONDUITS A MINIMUM OF 12" AWAY FROM ALL POWER RACEWAYS AND FLUORESCENT LIGHTING.
9. PROVIDE A MINIMUM BEND RADIUS OF 10X THE DIAMETER OF THE CONDUIT.
10. ALL WORKSTATION CABLES SHALL BE CONCEALED ABOVE THE CEILING. DO NOT ROUTE BELOW GRADE UNLESS SPECIFICALLY NOTED.

**7 COMMUNICATION RISER DIAGRAM**  
E4.01 NOT TO SCALE



**8 SCOREBOARD/FLOOR BOX BLOCK DIAGRAM**  
E4.01 NOT TO SCALE

THESE RECORD DOCUMENTS HAVE BEEN PREPARED BASED ON INFORMATION PROVIDED BY OTHERS. THE DESIGN PROFESSIONAL HAS NOT VERIFIED THE ACCURACY AND/OR COMPLETENESS OF THIS INFORMATION AND SHALL NOT BE RESPONSIBLE FOR ANY ERRORS OR OMISSIONS WHICH MAY BE INCORPORATED HEREIN AS A RESULT.

REVISIONS

NO.	DATE	DESCRIPTION

CONTRACT NO.

OWNER: CITY OF LAS VEGAS  
DEPARTMENT OF PUBLIC WORKS  
ARCHITECTURAL SERVICES

400 EAST STEWART AVENUE  
LAS VEGAS, NEVADA 89101  
PHONE: (702) 733-8533  
FAX: (702) 384-8945  
TDD: (702) 384-8106

DATE: 03/05  
SCALE:  
SHEET NO: 05153410  
CIVIL NO: 671-49

DESIGNER: LUCCHESI GALLATI  
500 FLOTT ROAD, SUITE A  
LAS VEGAS, NEVADA 89119  
(702) 263-7111  
FAX: (702) 263-8111

CITY OF LAS VEGAS  
CENTENNIAL HILLS COMMUNITY CENTER  
RECORD DRAWINGS  
ELECTRICAL DETAILS - 1 OF 4

E4.01