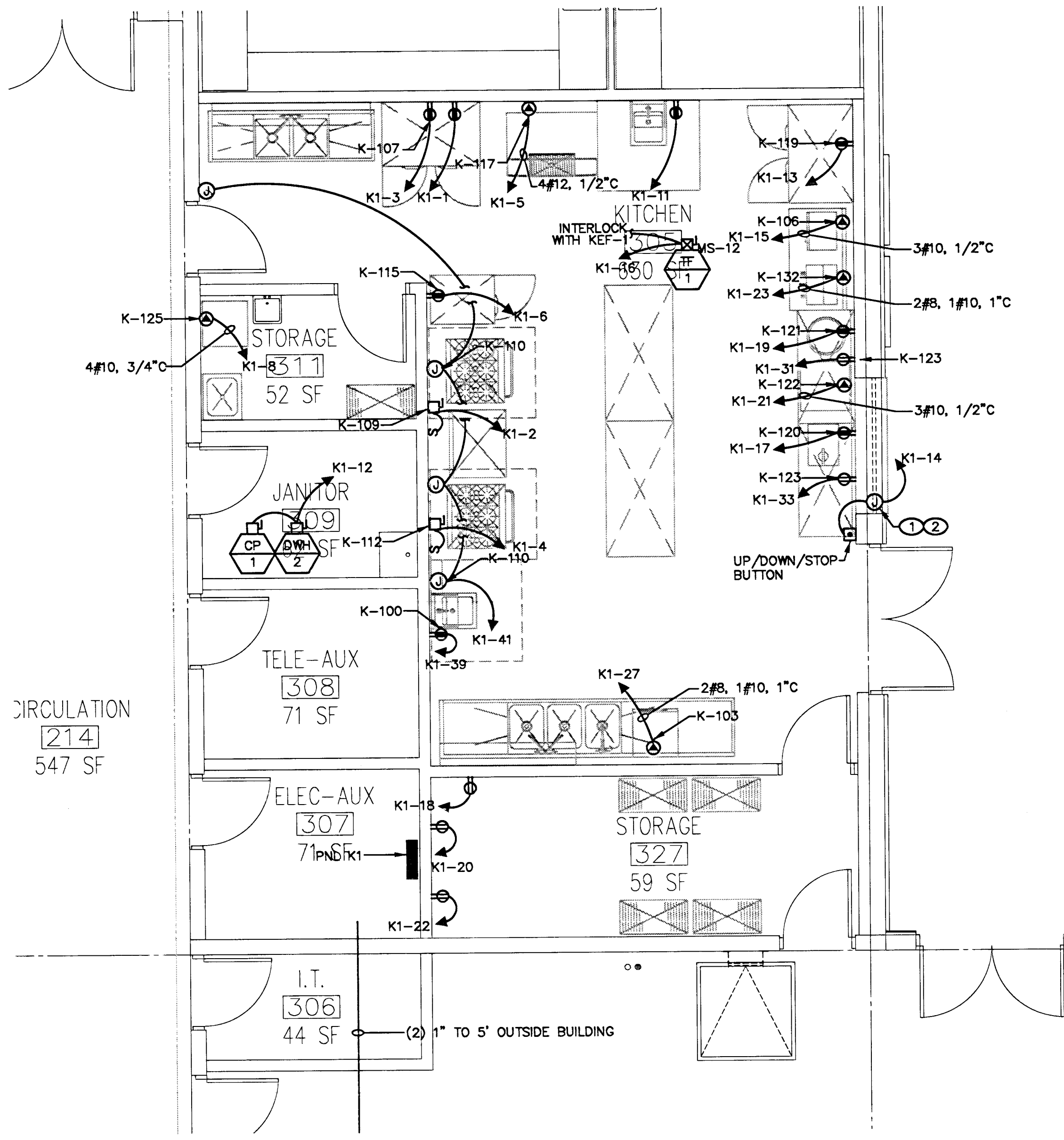


2 EQUIPMENT FLOOR PLAN - SENIOR CENTER
 E2.08 SCALE: 1/4"=1'-0"



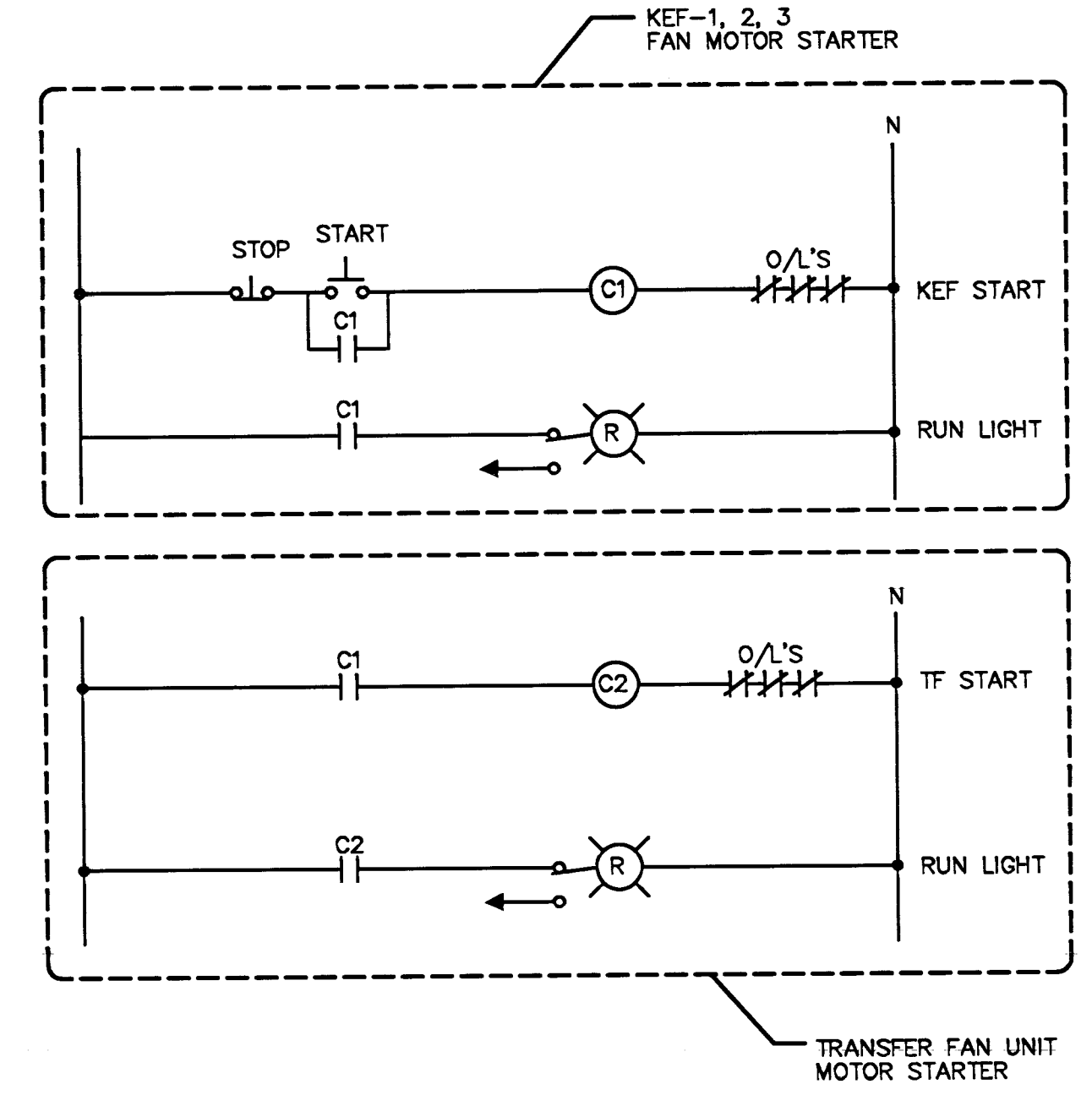
1 EQUIPMENT FLOOR PLAN - RECREATION CENTER
 E2.08 SCALE: 1/4"=1'-0"

PANEL K1 3 PH, 4 WIRE, 208Y/120 VOLTS 150A MLO SURFACE MOUNTED MIN INTERRUPTING RATING 10,000 RMS SYM AMPS LOCATION ELEC 307 NEMA 1												
SPACE	CIRCUIT USE	DKT	CONNECTED LOAD VA			DKT	CIRCUIT USE	POLE	SPACE	DKT		
#	#	RATING	A	B	C	RATING	#	#	#			
1	K-107	20	830			20	M - EXHAUST	2	2			
3	K-107	20	500			20	M - EXHAUST	4	4			
5	K-117	20/3	910		1550	20	M - EXHAUST	6	6			
7	K-117	X	1550		830	20	M - EXHAUST	8	8			
9	K-100	X	2610			30/2	M - WASHER/DRYER	10	10			
11	K-119	X	1550			X	M - X	12	12			
13	K-119	20	180			20	M - DWH-2/CP-1	14	14			
15	K-106	20	1630			20	M - COILING SHUTTER	16	16			
17	K-120	30	1200	2040		20	M - TF-1	18	18			
19	K-121	20	1180		820	20	M - TF-1	20	20			
21	K-122	20	1080			20	R - FUTURE REFRIG.	22	22			
23	K-132	30	2400			20	R - FUTURE REFRIG.	24	24			
25	K-103	50/2			3050	20	SC	26	26			
27	K-103	X	3050			X	SC	28	28			
29	K-123	X			3920	20	SC	30	30			
31	K-123	20	180			20	SC	32	32			
33	K-123	20	180			20	SC	34	34			
35	SC	20				20	SC	36	36			
37	SC	20				20	SC	38	38			
39	K-100	20			180	20	SC	40	40			
41	F - FIRE SUPPRESSION	20			500	20	SC	42	42			
			12630	15470	11050	CALCULATED DEMAND = 80 AMPS						
			39150									

PANEL K2 3 PH, 4 WIRE, 208Y/120 VOLTS 150A MLO FLUSH MOUNTED MIN INTERRUPTING RATING 22,000 RMS SYM AMPS LOCATION KITCHEN 709 NEMA 1												
SPACE	CIRCUIT USE	DKT	CONNECTED LOAD VA			DKT	CIRCUIT USE	POLE	SPACE	DKT		
#	#	RATING	A	B	C	RATING	#	#	#			
1	M - DWH-2/CP-1	20	200			20	K-2	2	2			
3	K-18	20	180			20	K-2	4	4			
5	K-15	20/3	1090			20	K-2	6	6			
7	K-15	X	180			20	M - TF-2	8	8			
9	K-27	X	4530			20	M - TF-3	10	10			
11	K-100	X	1180			20	M - TF-3	12	12			
13	K-27	X	4530			20	K-17	14	14			
15	K-100	X	530			20	K-17	16	16			
17	K-100	20/3	1550			20	K-17	18	18			
19	K-100	X	530			20	K-17	20	20			
21	K-100	X	1550			20	K-17	22	22			
23	K-100	X	530			20	K-17	24	24			
25	K-100	X	1550			20	K-17	26	26			
27	K-100	X	530			20	K-17	28	28			
29	K-100	X	1550			20	K-17	30	30			
31	K-100	X	530			20	K-17	32	32			
33	K-100	X	1550			20	K-17	34	34			
35	K-100	X	530			20	K-17	36	36			
37	K-100	X	1550			20	K-17	38	38			
39	K-100	X	530			20	K-17	40	40			
41	SC	20				20	SC	42	42			
			14300	14910	12930	CALCULATED DEMAND = 86 AMPS						
			42140									

NOTES:
 1 J-BOX FOR FIRE SHUTTER.
 2 SEE FIRE ALARM DRAWINGS FOR ADDITIONAL INFORMATION.

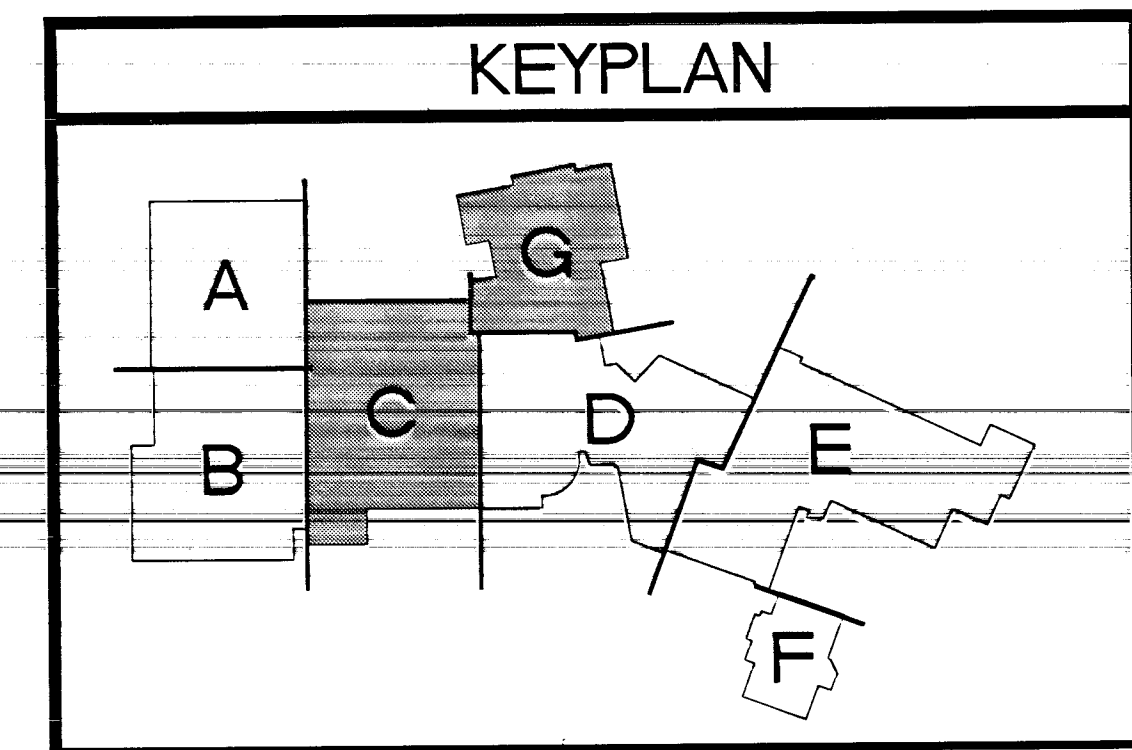
GENERAL NOTES:
 1. COORDINATE RECEPTACLE TYPE WITH FOOD SERVICE DRAWINGS AND EQUIPMENT REQUIREMENTS.
 2. ADJUST DEVICE HEIGHTS AS INDICATED ON THE FOOD SERVICE DRAWING SCHEDULE.



3 TYPICAL KITCHEN EXHAUST FAN/TRANSFER FAN CONTROL DIAGRAM
 E2.08 NOT TO SCALE

GENERAL NOTE:
 1. SEE MECHANICAL DRAWINGS FOR ADDITIONAL MAKE-UP UNIT/KEF INTERLOCK INFORMATION.

THESE RECORD DOCUMENTS HAVE BEEN PREPARED BASED ON INFORMATION PROVIDED BY OTHERS. THE DESIGN PROFESSIONAL HAS NOT VERIFIED THE ACCURACY AND/OR COMPLETENESS OF THIS INFORMATION AND SHALL NOT BE RESPONSIBLE FOR ANY ERRORS OR OMISSIONS WHICH MAY BE INCORPORATED HEREIN AS A RESULT.



REVISIONS
 MICRO-DRAWINGS (SCALE)
 CONSULTANT
 500 PLOT ROAD, SUITE A
 LAS VEGAS, NEVADA 89119
 (702) 263-7111
 (702) 263-8111 FAX
LUCCHESI GALATI

Disclaimer: These record drawings prepared by Lucchesi Galati Architects, Inc., are based on information provided by others. Lucchesi Galati Architects, Inc. has not verified the accuracy and/or completeness of its information supplied by others, and shall not be responsible for any errors or omissions, which may be incorporated herein as a result.

CITY OF LAS VEGAS
 CENTENNIAL HILLS COMMUNITY CENTER
 RECORD DRAWINGS
 FOOD SERVICE EQUIPMENT - EQUIPMENT FLOOR PLANS & SCHEDULE

OWNER: CITY OF LAS VEGAS
 DEPARTMENT OF PUBLIC WORKS
 ARCHITECTURAL SERVICES

400 EAST STEWART AVENUE
 LAS VEGAS, NEVADA 89101
 PHONE: (702) 229-8330
 FAX: (702) 229-8330
 (702) 386-8330
 (702) 386-9108

DATE: 05/05/05
 SCALE: AS SHOWN
 SHEET NO: 05.034101
 REVISED: 6-11-05

E2.08