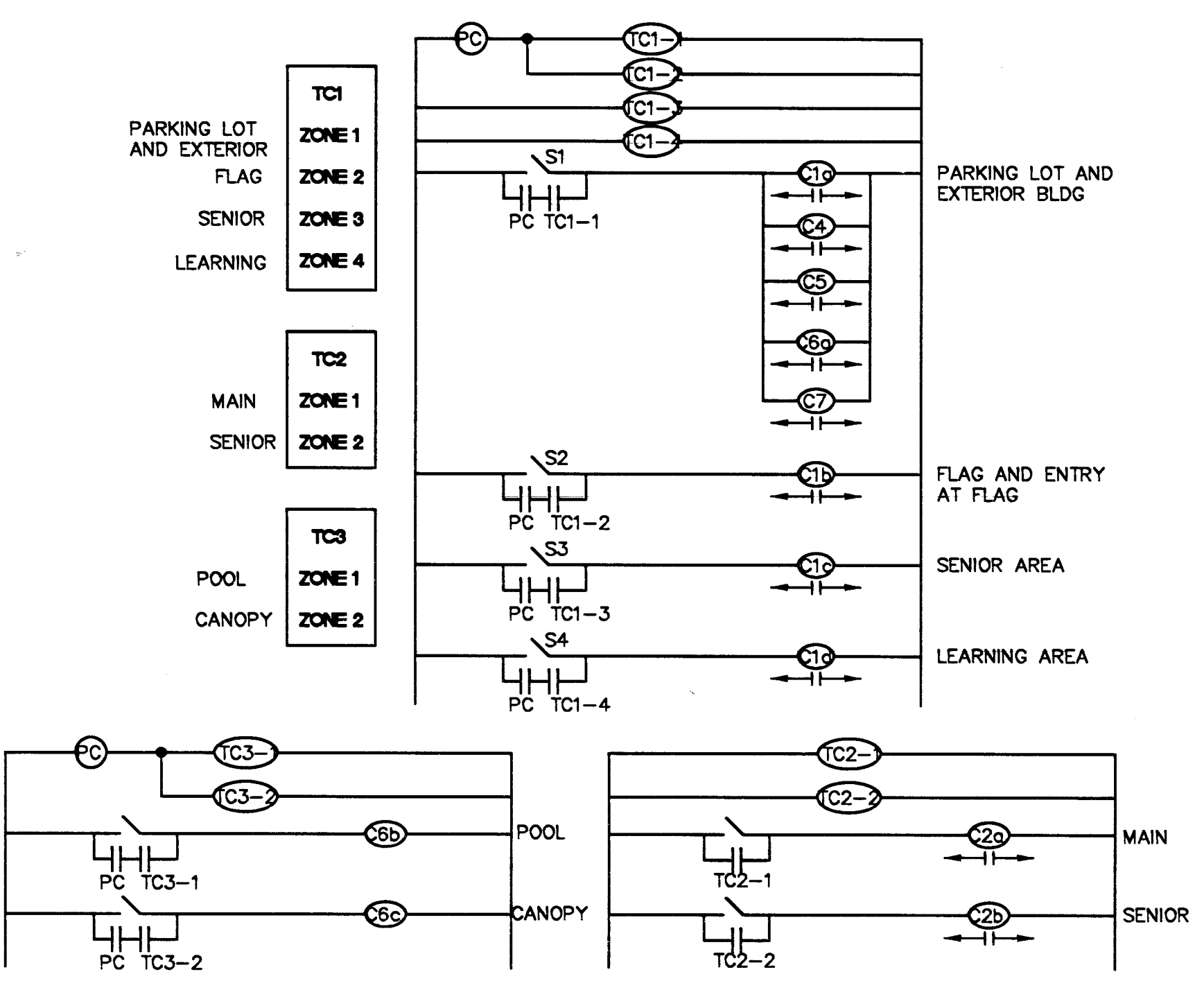


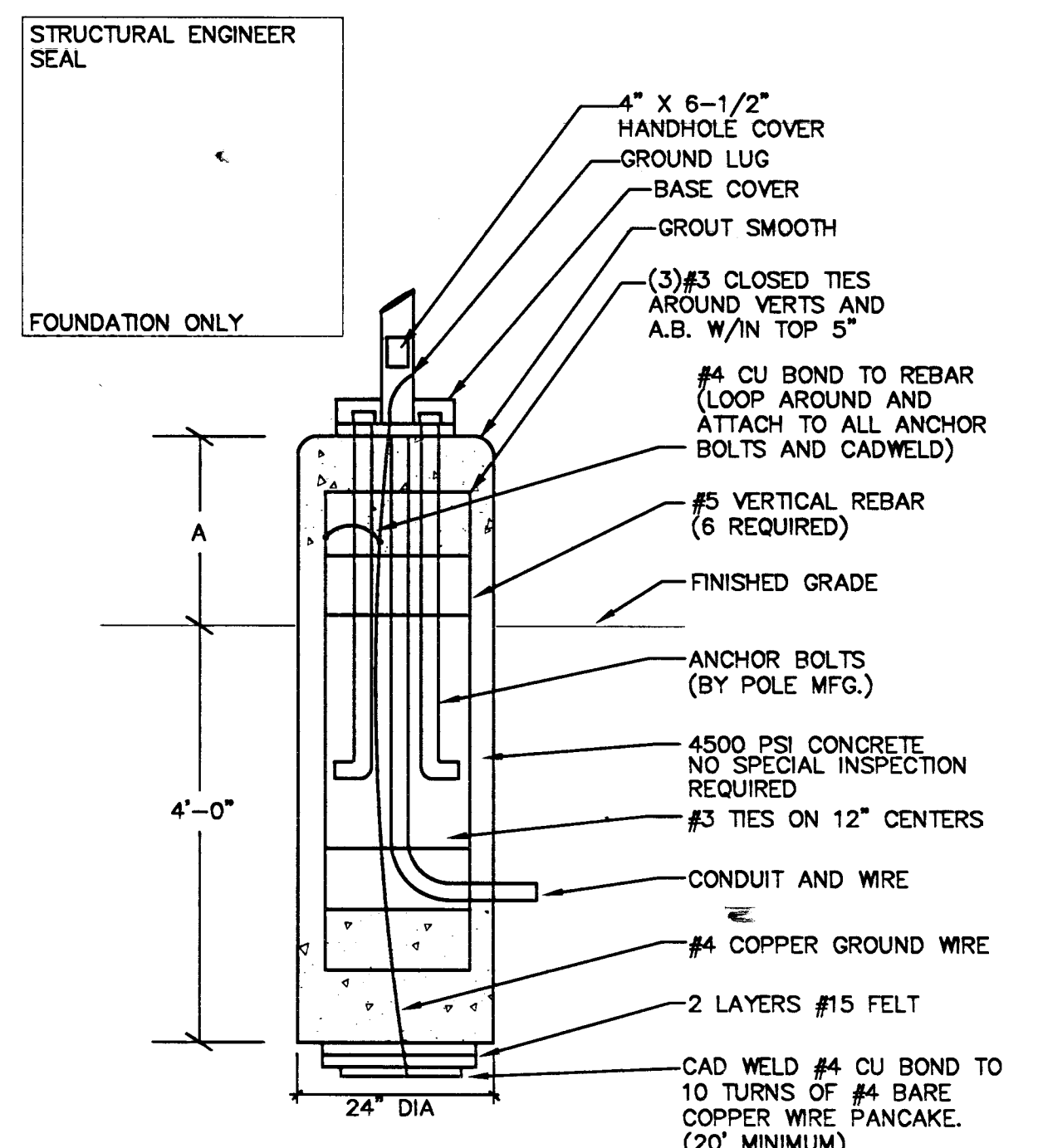
2.12 REFERENCE: DRAWING ES1.01
ADD: INCREASE THE NUMBER OF POLES FOR CONTACTOR C1a TO 14.

CONTACTOR SCHEDULE				
CONTACTOR #	RATING	NO. POLES	LOCATION	CIRCUITS CONTROLLED
C1a	20	14	MAIN ELEC RM 323	H1-1,5,9,13,17,24,SC, L2B-15, 17
C1b	20	4	MAIN ELEC RM 323	H1-2, 41,SC (2)
C1c	20	4	MAIN ELEC RM 323	H1-35,37, (2)SC
C1d	20	4	MAIN ELEC RM 323	H1-38,39, (2)SC
C2a	20	8	MAIN ELEC RM 323	H1-20, H2-1,7,9,11,14,17, (1)SC
C2b	20	4	MAIN ELEC RM 323	H2-18,29
C4	20	2	ELEC RM	H4-7, (1)SC
C5	20	2	ELEC RM	H5-8
C6a	20	2	ELEC RM	H6-5
C6b	20	8	ELEC RM	H6-2,10,13,14, (2)SC
C6c	20	8	ELEC RM	H6-26,30, (3) SC; L6-41
C7	20	2	ELEC RM	H7-3

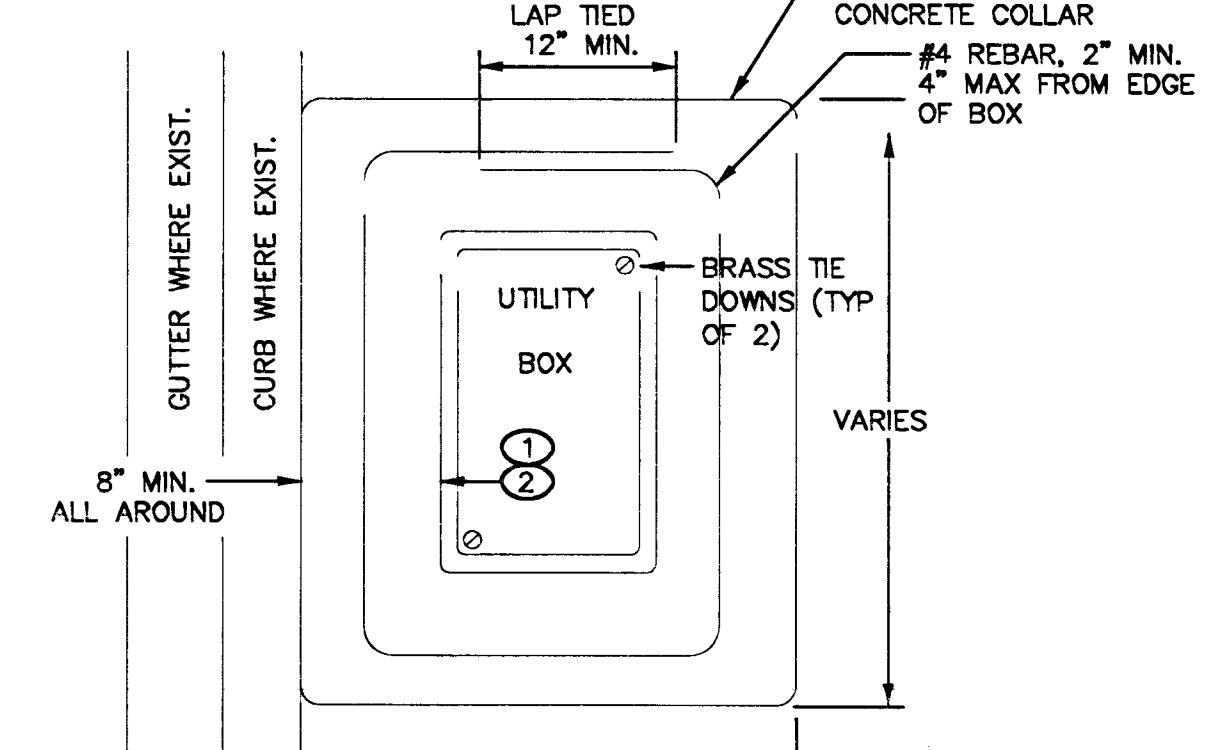
CONTROL SCHEDULE			
CONTROL	DESCRIPTION	CONTACTORS CONTROLLED	AREA
TC1-1	ASTRONOMICAL TIME CLOCK #1	ZONE 1	C1a, C4, C5, C6a, C7
TC1-2	ASTRONOMICAL TIME CLOCK #1	ZONE 2	C1b
TC1-3	ASTRONOMICAL TIME CLOCK #1	ZONE 3	C1c
TC1-4	ASTRONOMICAL TIME CLOCK #1	ZONE 4	C1d
TC2-1	ASTRONOMICAL TIME CLOCK #2	ZONE 1	C2a
TC2-2	ASTRONOMICAL TIME CLOCK #2	ZONE 2	C2b
TC3-1	ASTRONOMICAL TIME CLOCK #3	ZONE 1	C6b
TC3-2	ASTRONOMICAL TIME CLOCK #3	ZONE 2	C6c



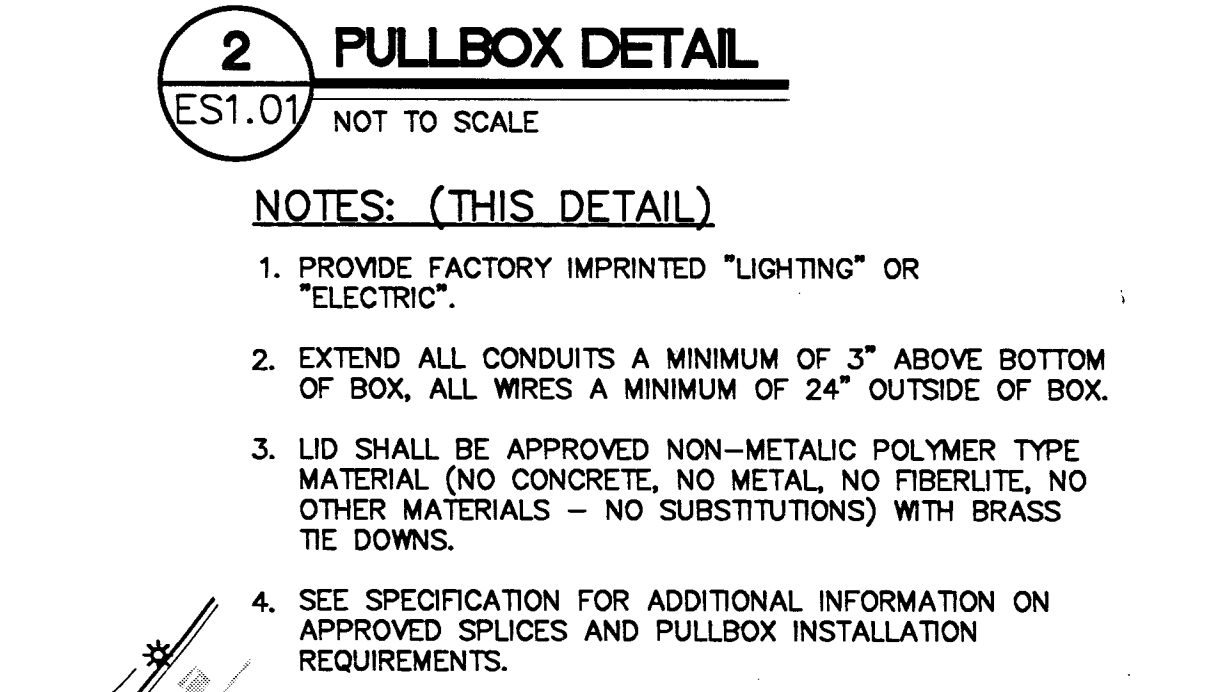
LIGHTING CONTROL DIAGRAM
NOT TO SCALE



POLEBASE DETAIL-F1, FIA, FIB, FIC, F3, F30, F36, F37
NOT TO SCALE



TYPICAL SECTION
NOT TO SCALE

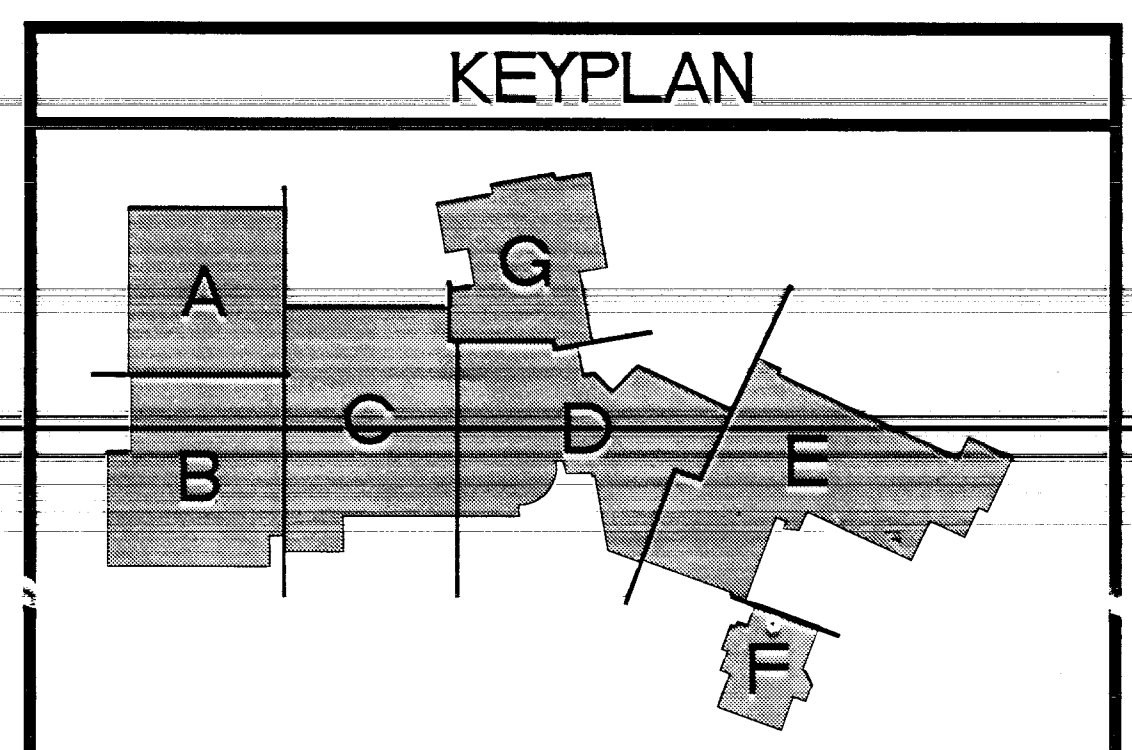


PULLBOX DETAIL
NOT TO SCALE

- POLEBASE NOTES:**
- SEE SPECIFICATION SECTION 16520 FOR ADDITIONAL REQUIREMENTS.
 - EXTEND ANCHOR BOLTS 1" OF THREAD ABOVE NUT.
 - PROVIDE CRASH CAP, 4"-6" THICK WITH A 1" SLOPE AWAY FROM POLE.
 - EXTEND CONDUITS CONTINUOUS THROUGH AND ABOVE POLEBASE TO WITHIN 3" BELOW BOTTOM OF HAND HOLE.
 - ENTIRE BASE TO BE POURED MONOLITHICALLY WITH TOP OF BASE TO HAVE AN 1-1/2" DOME.
 - SONOTUBE FORMS TO BE STRIPPED (4) HOURS AFTER POUR AND STILL GREEN. GREEN CONCRETE TO BE RUBBED (STONED) TO BRING UP THE "FAT" AND THEN FINISHED TO A LIGHT BROOM FINISH. BASE TO BE WET CURED FOR 7 DAYS.

- NOTES:**
- SEE ONLINE DIAGRAM FOR CONDUCTOR AND CONDUIT SIZES.
 - INSTALL PER NPCC REQUIREMENTS.
 - INSTALL PER SPRINT REQUIREMENTS.
 - COORDINATE CONDUIT INSTALLATION OUT TO UTILITY SERVICE CONNECTION WITH COX COMMUNICATIONS. CONTRACTOR TO STUB (2) 2" C. 3"-0" AWAY FROM CONCRETE FOUNDATION OF BUILDING. COORDINATE INSTALLATION REQUIREMENTS WITH COX COMMUNICATIONS. JIM ANDREWS 400-9421. CONDUIT DEPTH TO BE A MINIMUM OF 24" OR AS REQUIRED BY COX COMMUNICATIONS.
 - ROUTE CIRCUIT THROUGH TIMECLOCK AND CONTACTOR "C1". SEE CONTACTOR SCHEDULE FOR DETAIL.
 - MOUNT PHOTOCELL ON FIXTURE FACING NORTH. PHOTOCELL SHALL BE EQUAL TO TORK 2007, NO SUBSTITUTIONS.
 - EXTERIOR LIGHTS WILL BE CONTROLLED PHOTOCELL "ON" AND TIMECLOCK "OFF". TIMECLOCK SHALL BE EQUAL TO INTERNATIC ET 7015C NO SUBSTITUTIONS. SEE CONTACTOR SCHEDULE FOR CIRCUITS CONTROLLED.
 - POLE MOUNT FUTURE CAMERA. PROVIDE CONDUIT ROUTED UP IN POLEBASE.
 - CONNECT TO EXISTING SPRINT CONDUITS VERIFY INFIELD.
 - PULLBOX FOR FUTURE KIOSK.
 - COORDINATE LOCATION OF PULLBOX IN FIELD WITH OWNER REPRESENTATIVE.
 - FIXTURE WILL BE MOUNTED ON THE F2 POLE INDICATED ON DRAWING ES1.02.

- GENERAL NOTES:**
- SEE NPCC DRAWING AND SPRINT DRAWING FOR ADDITIONAL WORK REQUIRED BY CONTRACTOR.
 - CONTRACTOR TO COORDINATE UNDERGROUND TRENCHING AND ANY INSTALLATION FOR COX COMMUNICATIONS.
 - CONTRACTOR TO VERIFY ALL COMMUNICATION INSTALLATION WITH SPRINT.
 - PROVIDE #3-1/2 PULLBOX (MIN) SO THAT CONDUIT RUNS DO NOT EXCEED 300".
 - INSTALL CONDUIT RUNS SO THAT THEY DO NOT EXCEED 270 DEGREES (2) 90'S AND (2) 45'S.
 - ALL CONDUIT RUNS FOR SECURITY CAMERAS REQUIRE A #3-1/2 PULLBOX EVERY 100".
 - ALL LIGHT FIXTURE FEEDERS ARE #6, 1-1/4" UNC.
 - REPAIR ALL SIDEWALK, CURB/GUTTER AND LANDSCAPE INCLUDING IRRIGATION AT ANY WORK REQUIRING DEMOLITION OF EXISTING AREAS.



OWNER: CITY OF LAS VEGAS
 DEPARTMENT OF PUBLIC ARCHITECTURAL SERVICES
 PROJECT: CENTENNIAL HILLS COMMUNITY CENTER
 RECORD DRAWINGS
 DATE: 03/10/09
 DRAWN BY: [Name]
 CHECKED BY: [Name]
 DESIGNED BY: [Name]
 PROJECT NO: 02153-01
 SHEET NO: 01-49
 ES1.0