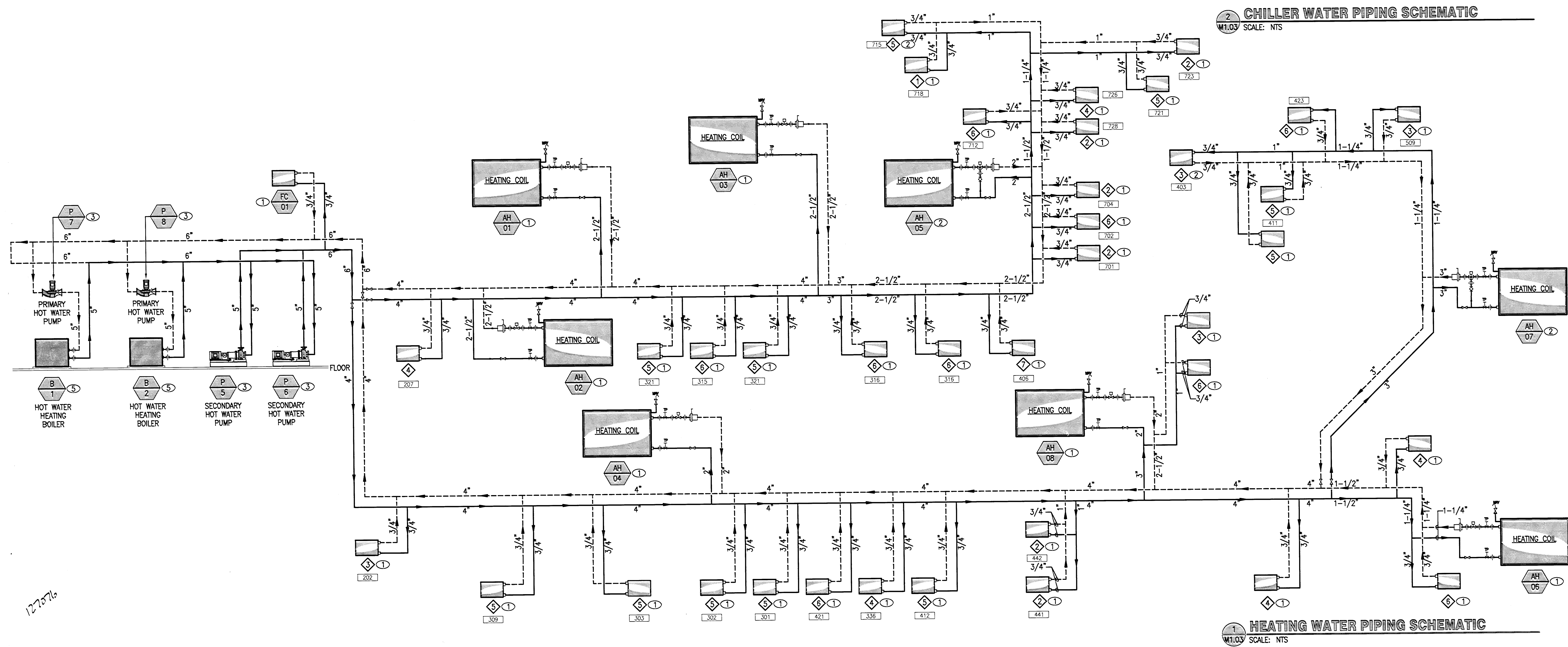


SHEET NOTES

- ① SEE 5/M1.02 FOR PIPING DIAGRAM.
- ② SEE 4/M1.02 FOR PIPING DIAGRAM.
- ③ SEE 7/M1.02 FOR PIPING DIAGRAM.
- ④ SEE 8/M1.02 FOR PIPING DIAGRAM.
- ⑤ SEE 9/M1.02 FOR PIPING DIAGRAM.



2 CHILLER WATER PIPING SCHEMATIC

M1.03 SCALE: NTS

1 HEATING WATER PIPING SCHEMATIC

M1.03 SCALE: NTS



Disclaimer: These record drawings prepared by Luccese Galati Architects, Inc. are based on information provided by others. Luccese Galati Architects, Inc. has not verified the accuracy and/or completeness of the information supplied by others, and shall not be responsible for any errors or omissions, which may be incorporated herein as a result.

CITY OF LAS VEGAS
CENTENNIAL HILLS COMMUNITY CENTER
SCHEMATICS
MECHANICAL

DESIGNED BY: LUCCESE GALATI ARCHITECTS, INC.
PROJECT NO.: 051534101
DATE: 6-11-09

M1.03

009 M1.03.TIF

127576