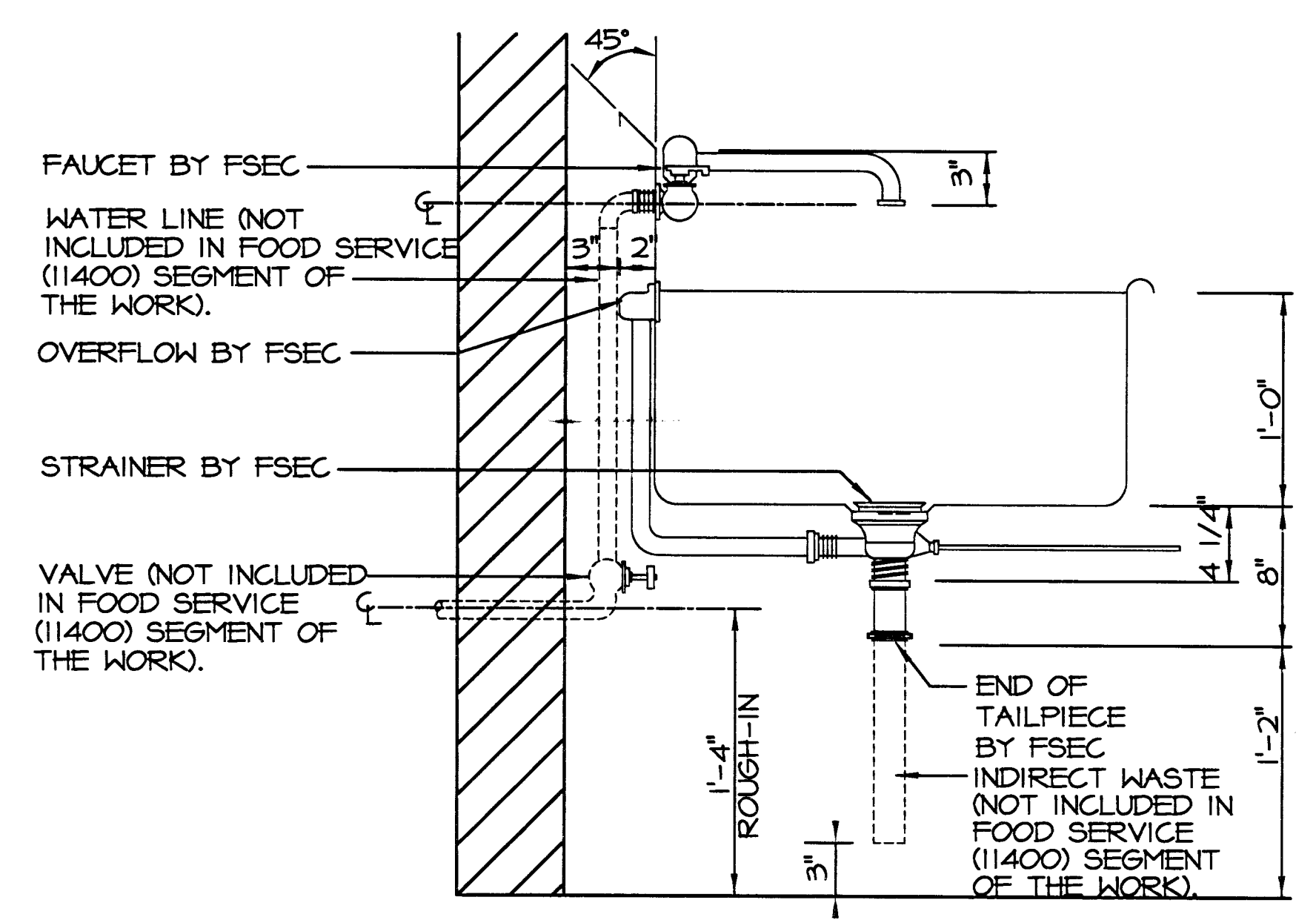
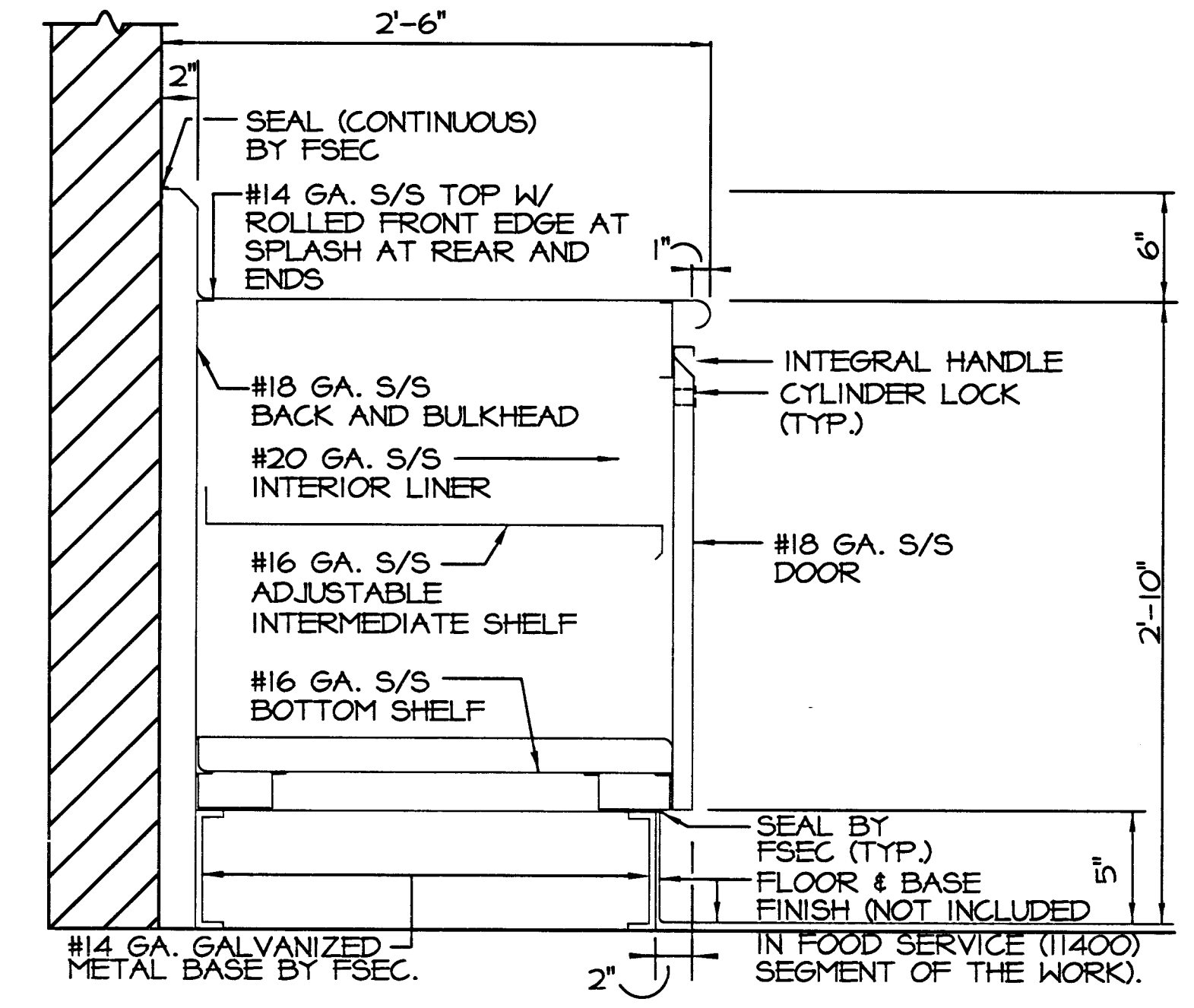


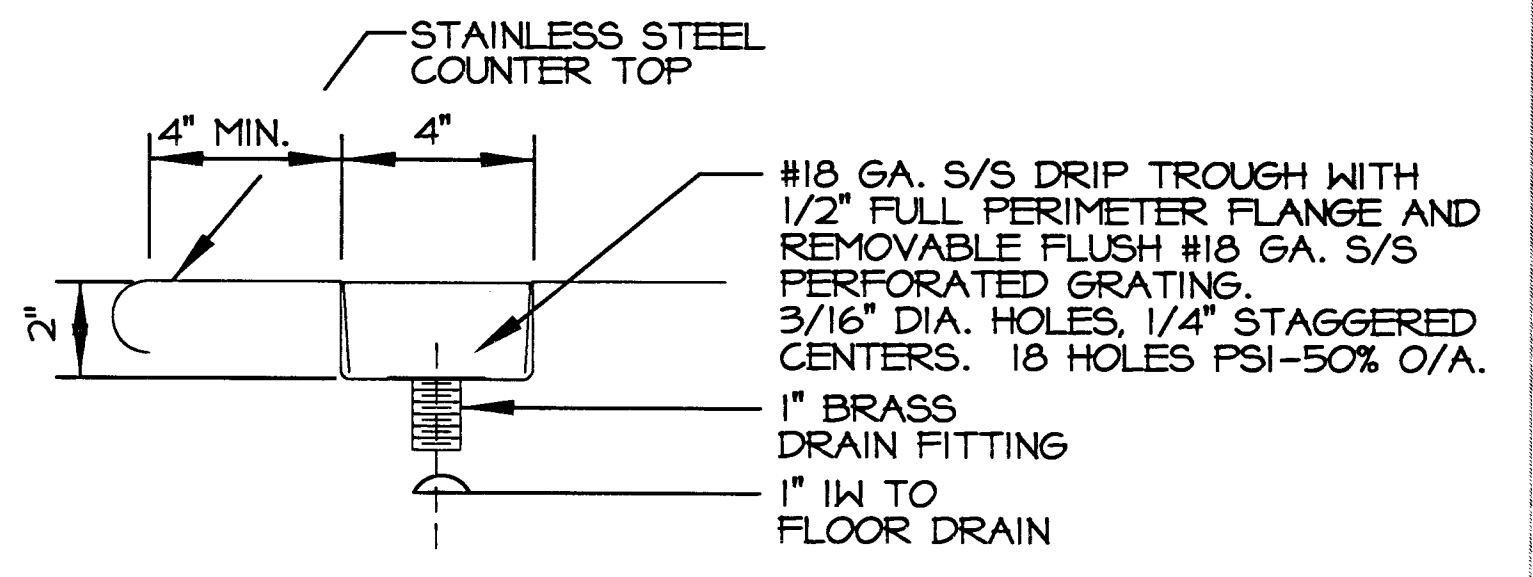
A DETAIL-TYPICAL HAND SINK INSTALLATION
SCALE: 3/4"=1'-0"



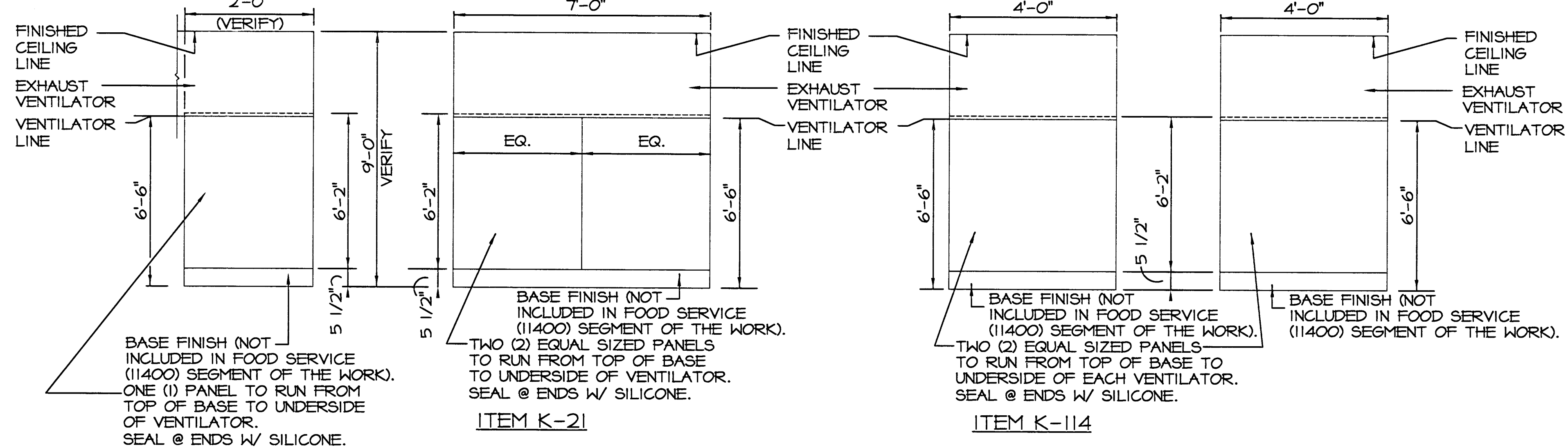
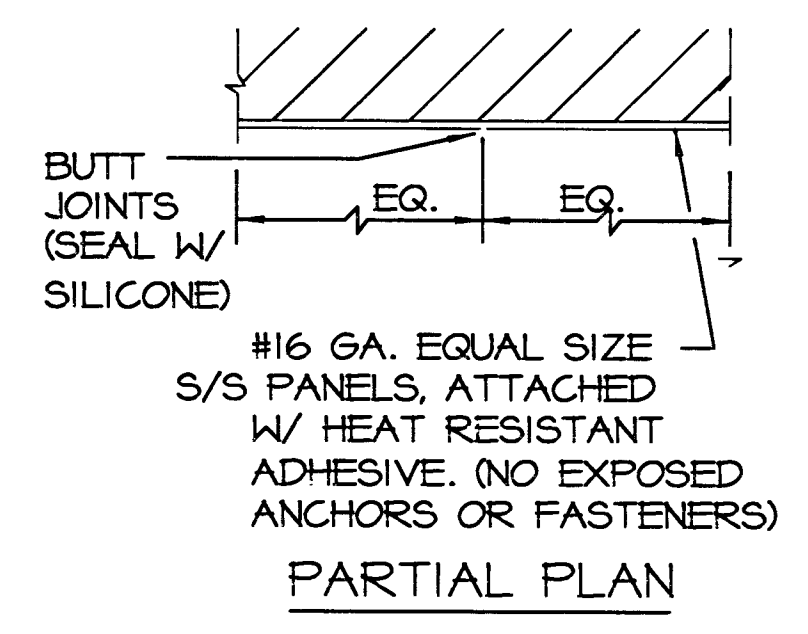
B TYPICAL SINK INSTALLATION DETAIL
SCALE: 1 1/2"=1'-0"



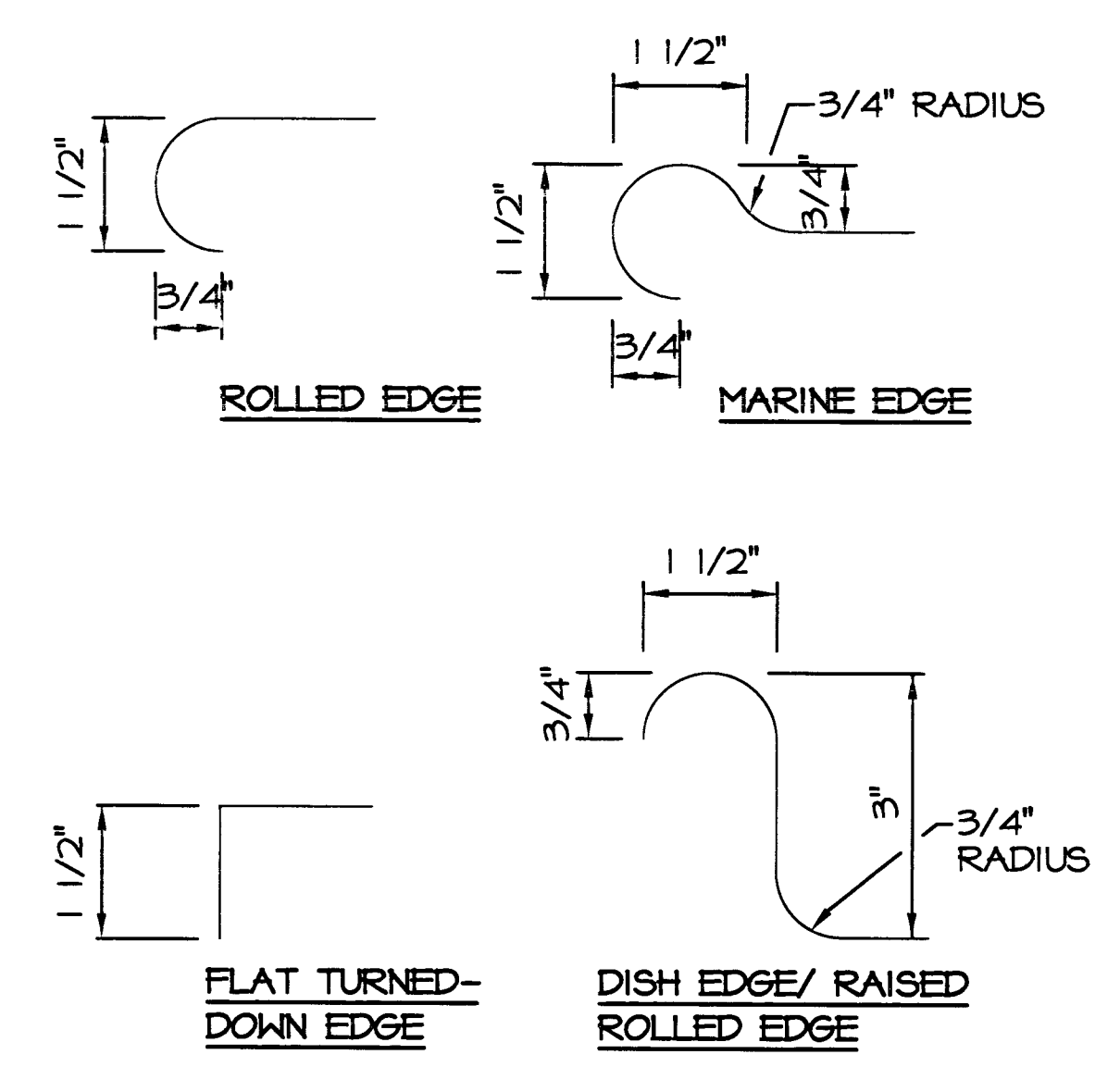
C SECTION - COUNTER
SCALE: 1 1/2"=1'-0"



D DETAIL-DRIP TROUGH-S/S COUNTER
SCALE: 3"=1'-0"

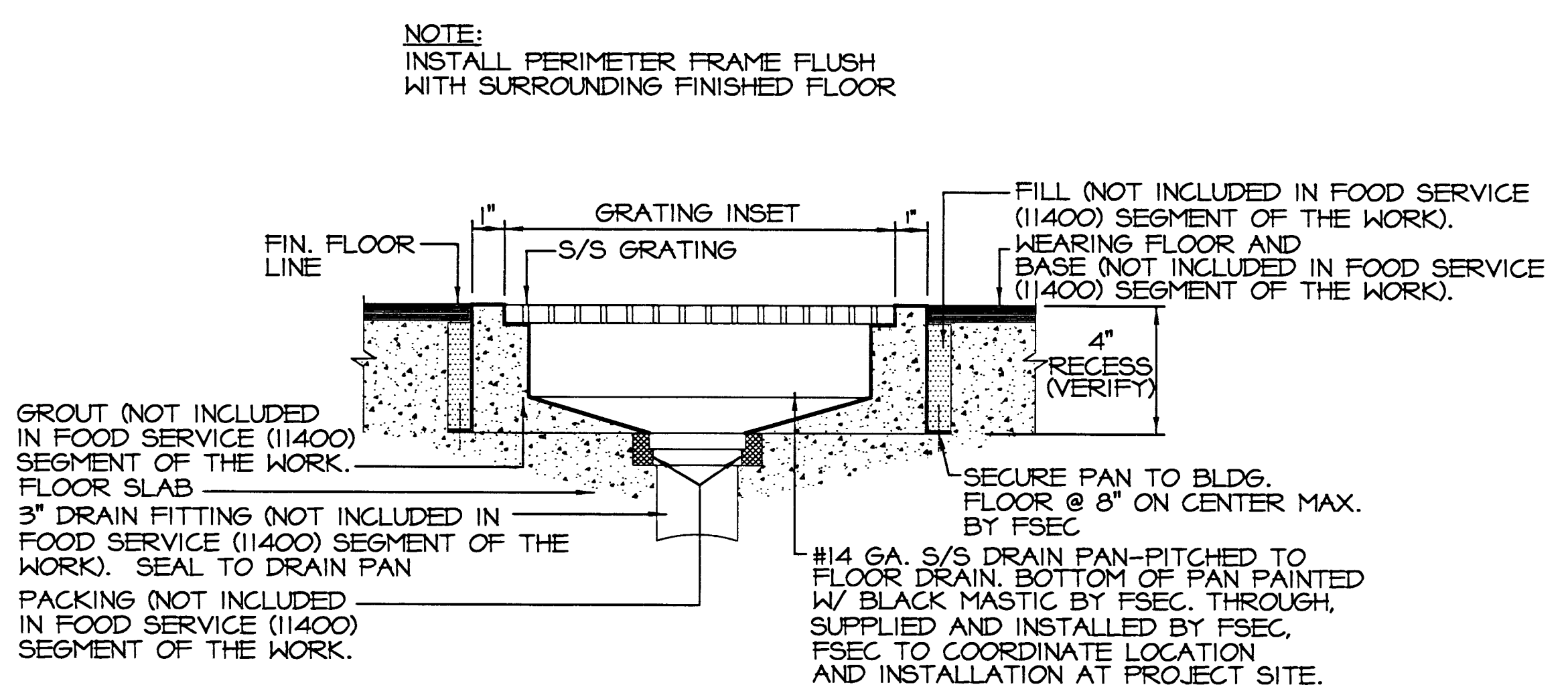


F DETAIL-S/S WALL PANELS-ITEM K-21 & K-114
NOT TO SCALE

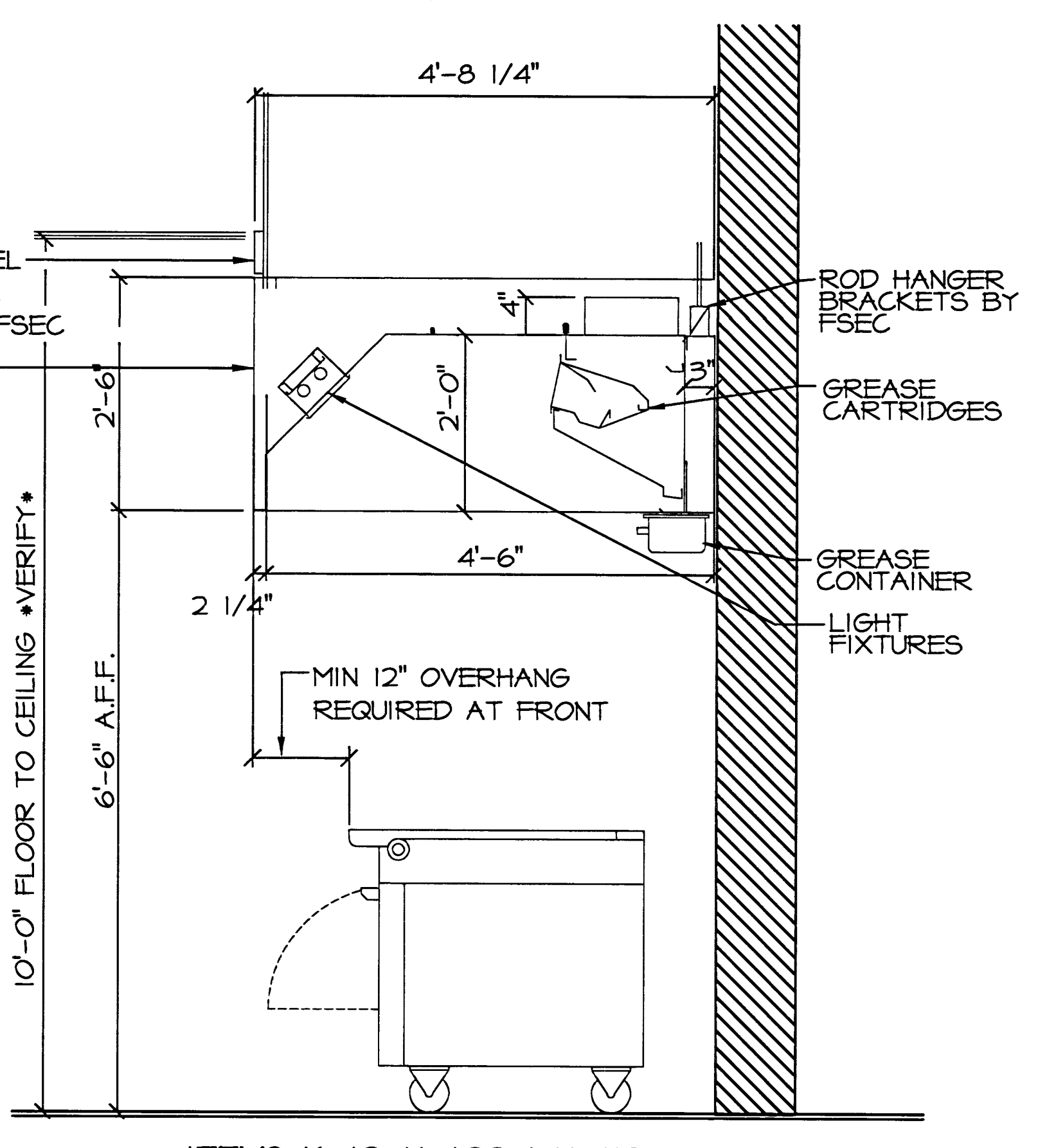


G DETAIL-STAINLESS STEEL FABRICATED EDGES
SCALE: 6"=1'-0"

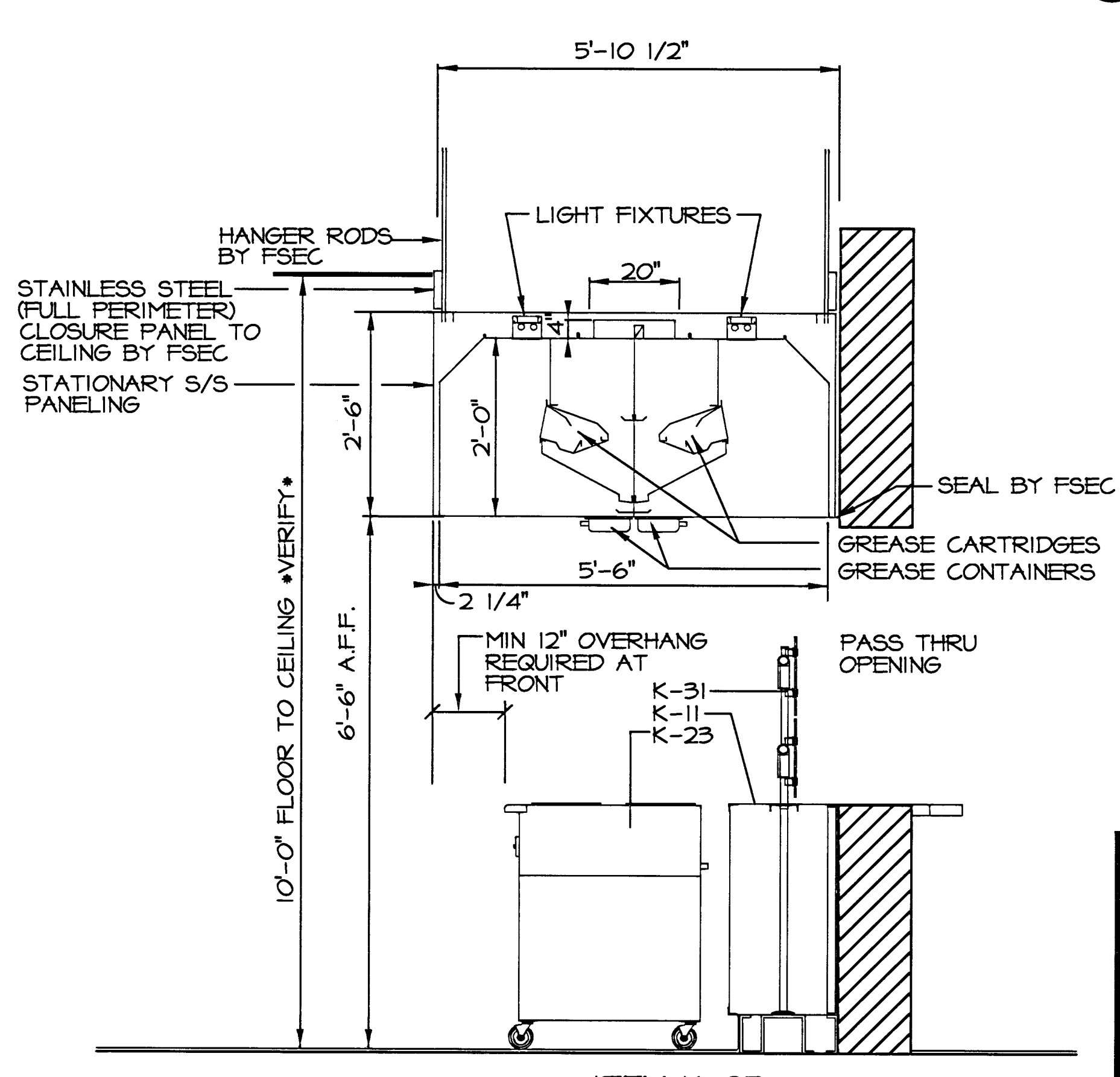
E THIS SECTION HAS BEEN DELETED
SCALE: 1 1/2"=1'-0"



H DETAIL-FLOOR TROUGH W/ GRATING
SCALE: NONE

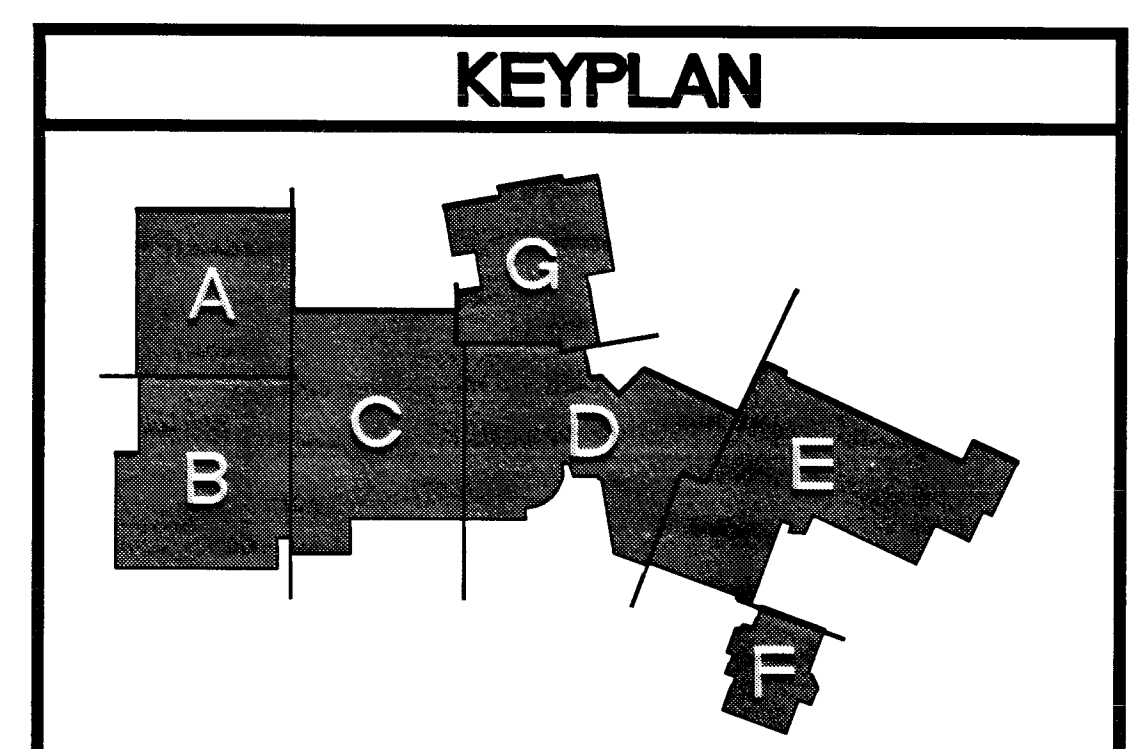


I DETAIL-EXHAUST VENTILATORS
NOT TO SCALE-FOR REFERENCE ONLY



J DETAIL-EXHAUST VENTILATORS
NOT TO SCALE-FOR REFERENCE ONLY

HDA PACIFIC
134 Church Street
P.O. Box 1798
Sonoma, CA 95478
USA
Phone: 707-933-0749
Fax: 707-933-0757
1000 Commerce Drive
Suite 1008
Coraopolis, PA 15108
USA
Phone: 412-299-9300
Fax: 412-299-9300
Food Facility Planning and Design
A Division of Hammer Design Associates, Inc.
© 1994-HDA/PACIFIC 2008



REVISIONS
RECORD DRAWING LOG
CONTRACT
500 PILOT ROAD, SUITE A
LAS VEGAS, NEVADA 89119
(702) 263-7111 FAX
LUCCHESI • CALATI

Disclaimer: These record drawings prepared by Lucchesi Galati Architects, Inc. and HDA-Pacific, are based on information provided by others. Lucchesi Galati Architects, Inc. and HDA-Pacific have not verified the accuracy and/or completeness of information supplied by others, and shall not be responsible for any errors or omissions, which may be incorporated herein as a result.

CITY OF LAS VEGAS
CENTENNIAL HILLS COMMUNITY CENTER
RECORD DRAWINGS

DATE
SCALE: 03/18/05
REV NO: 05.15341.01
CITY NO: 671-49
DWT NO: FS3.01