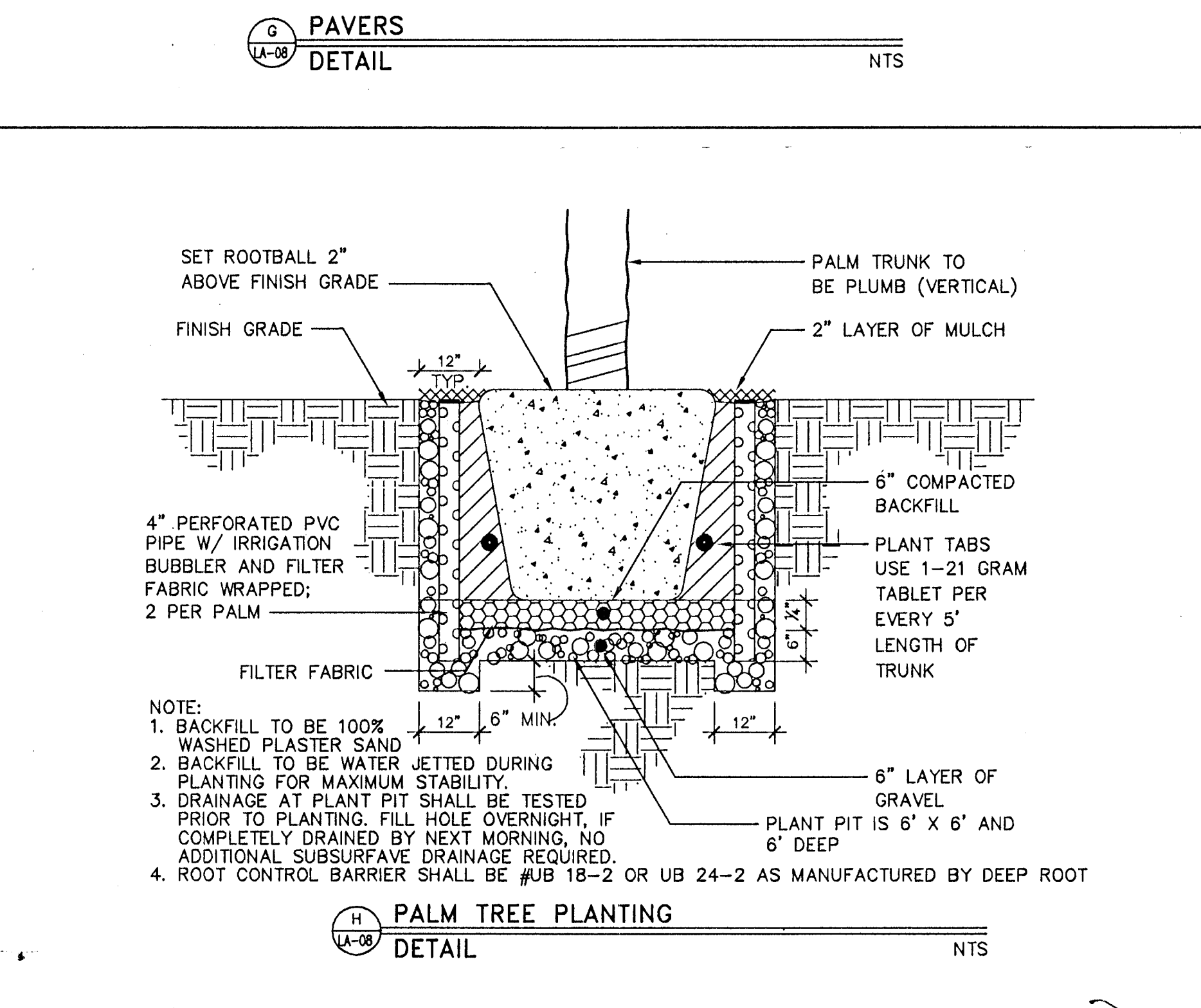
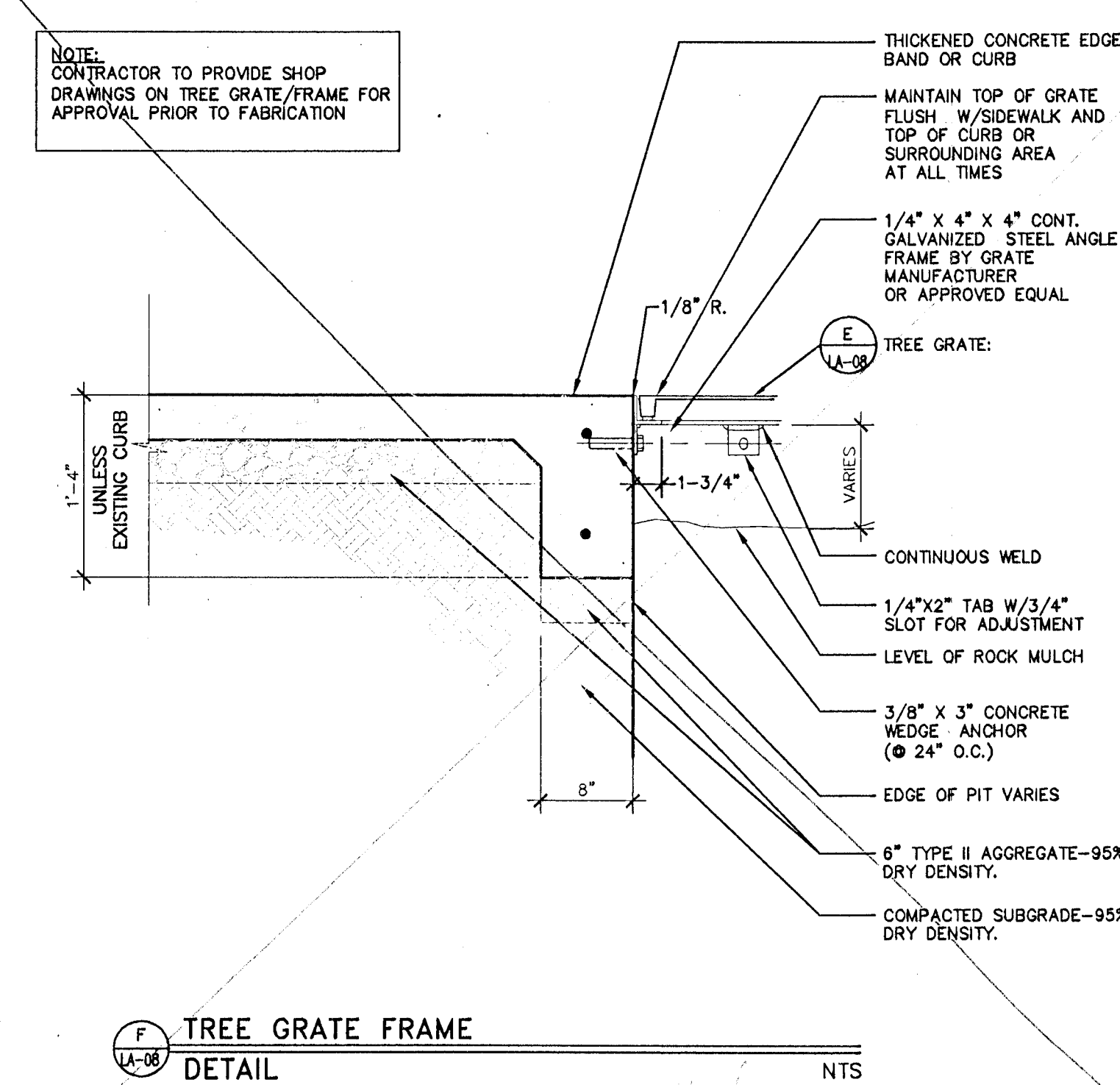
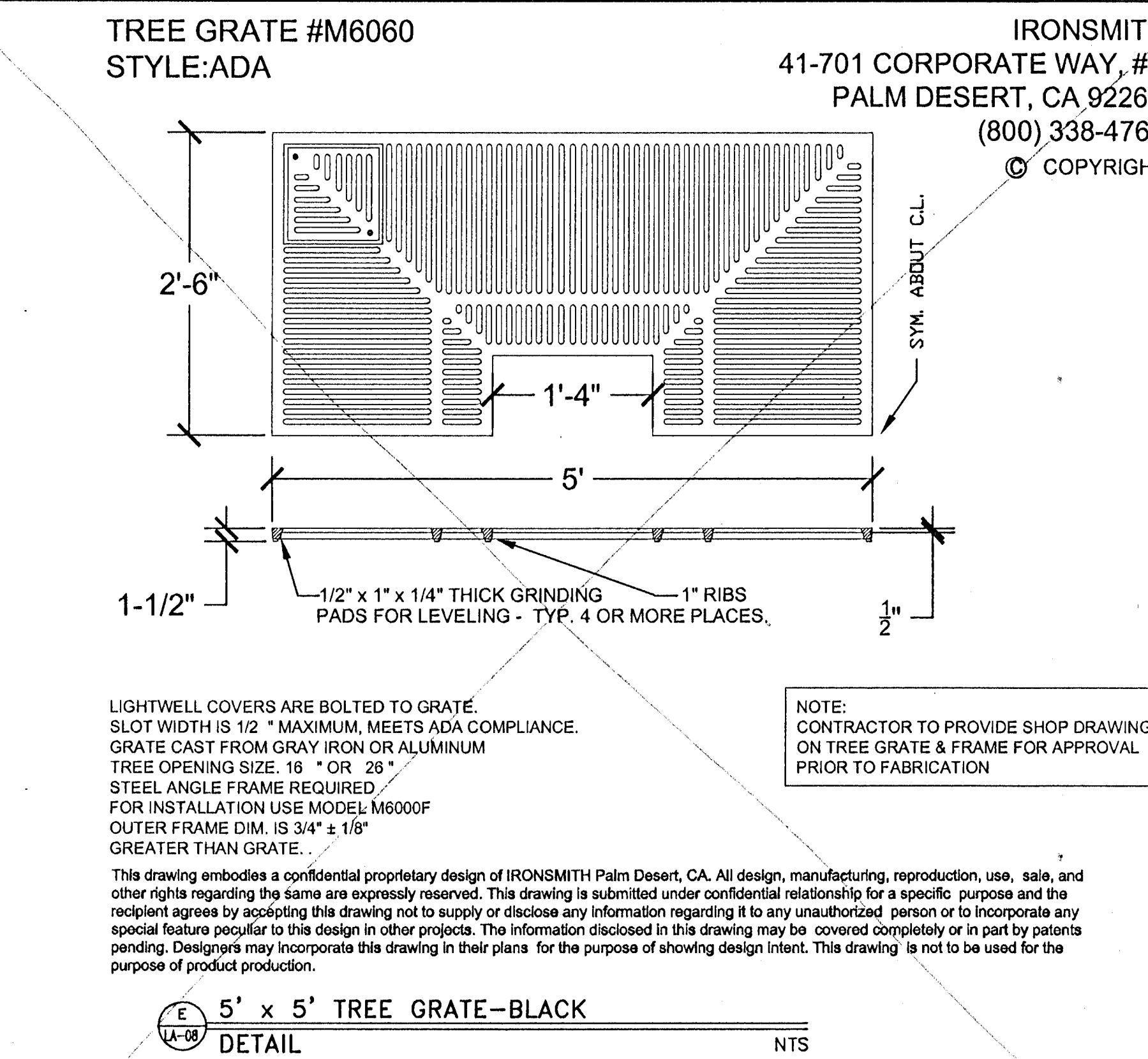
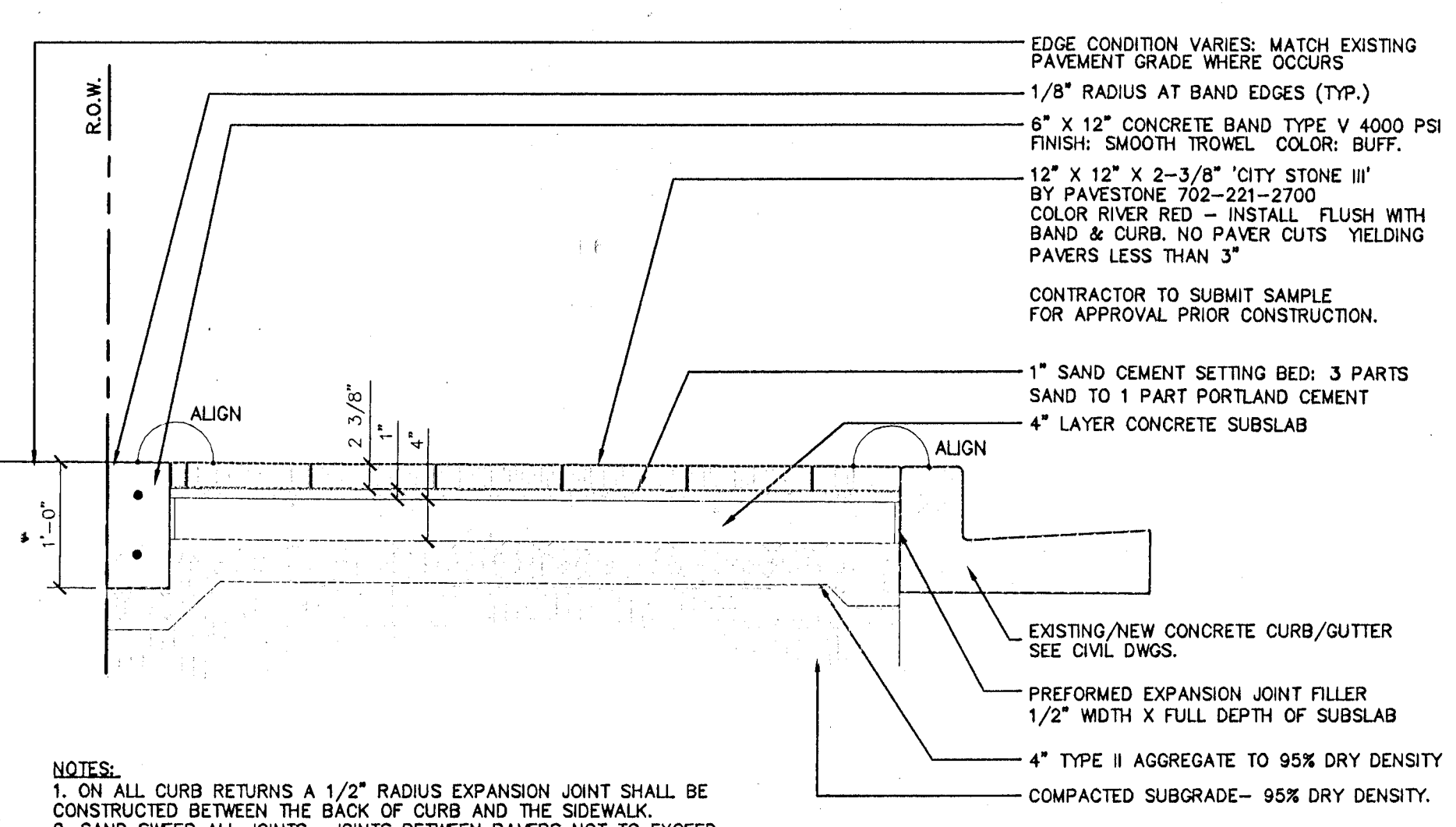
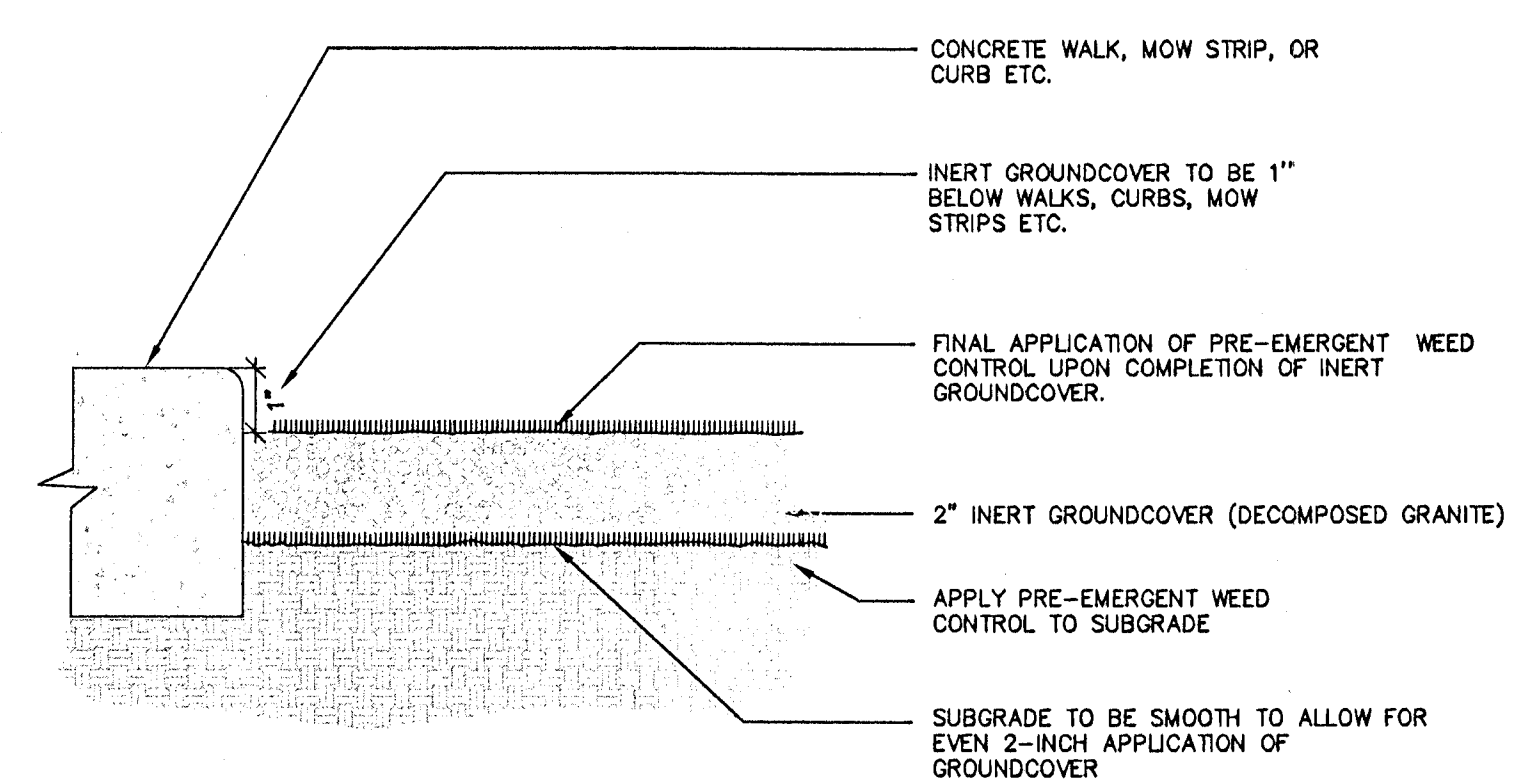
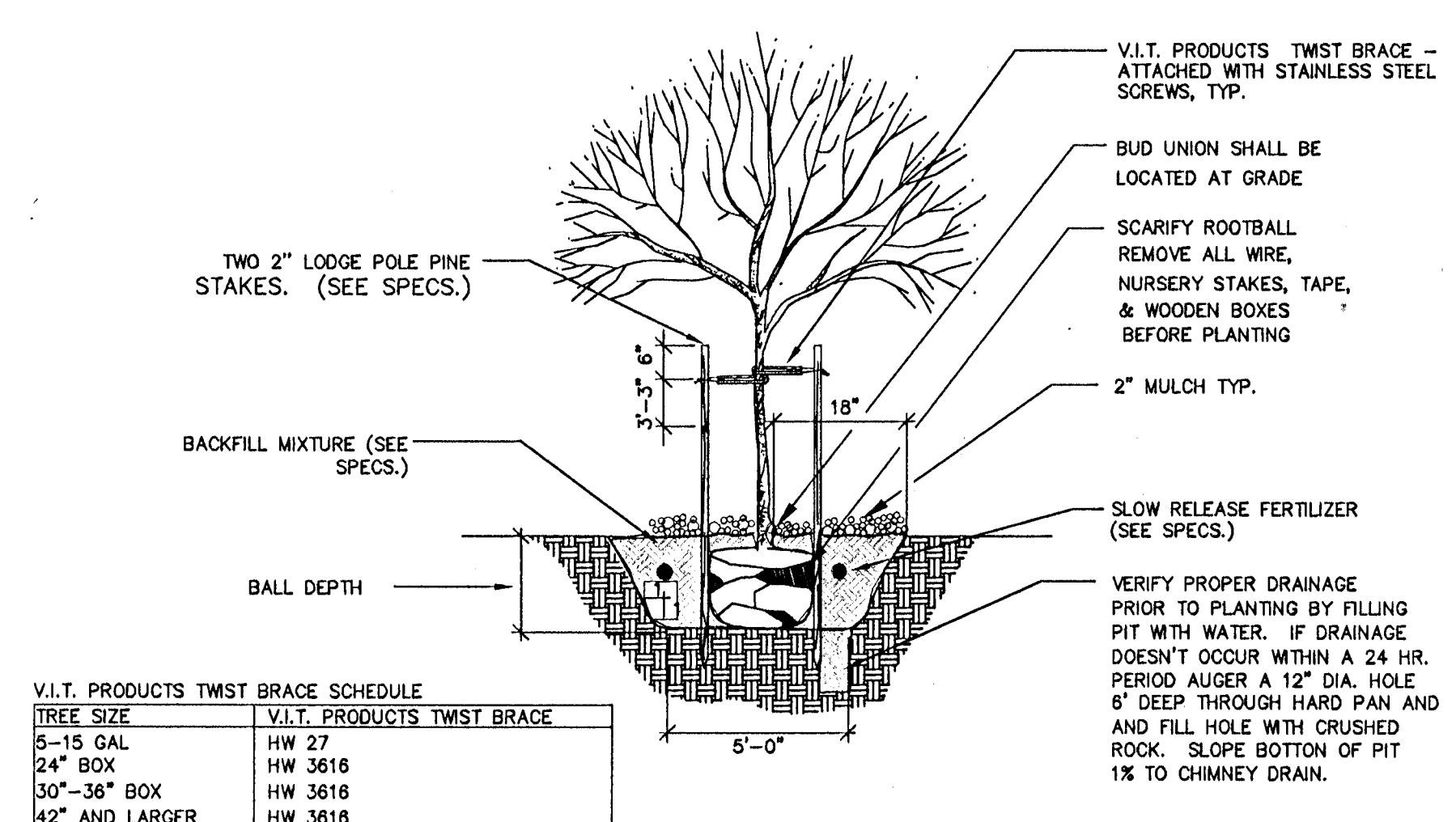
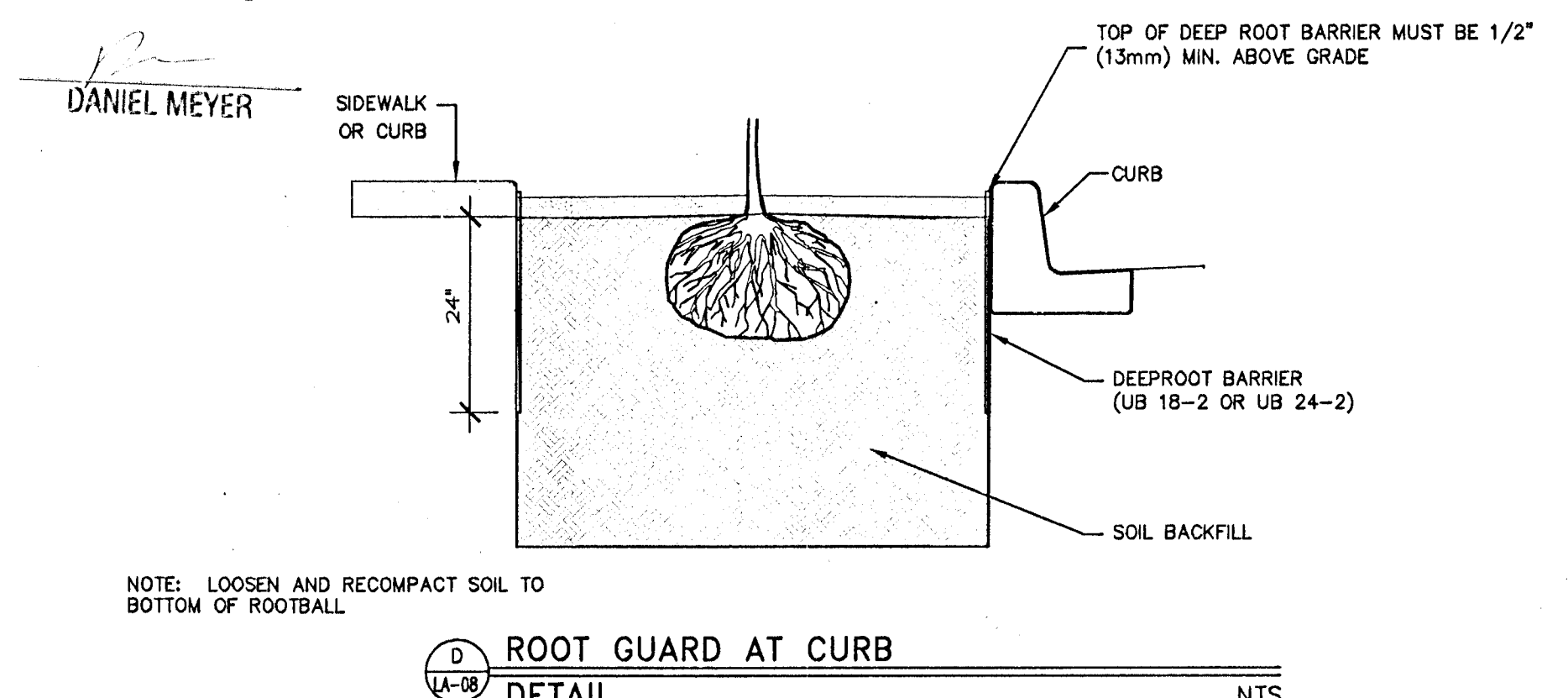
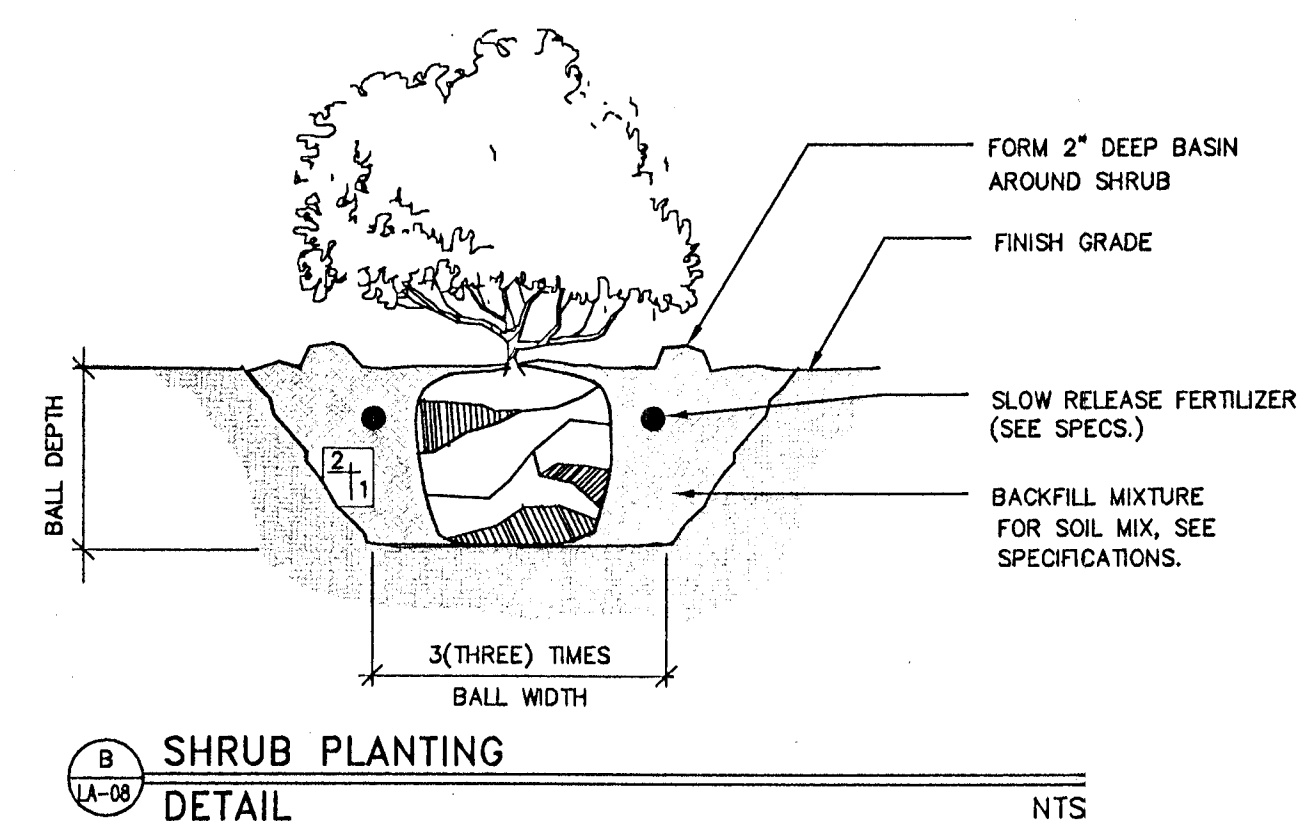
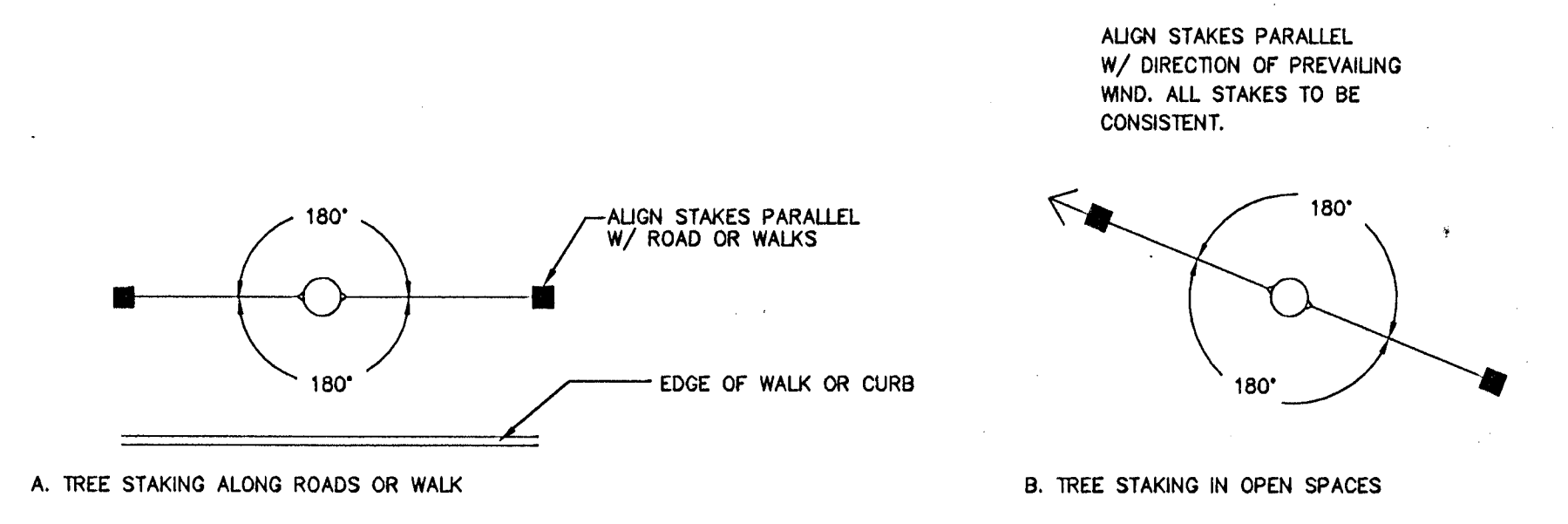


DATE: 11/14/14
DRAWN BY: DANIEL MEYER



Apr 23, 2010 - 11:34am - US33 Peter.meyer@tand.com
LA-08 Projects/LAV_PublicTrans/092256/019 Bonnevillie-Clark, 2008/CADD/256019-08_05.dwg

DATE: FEBRUARY 2010
CHECKED BY: ACP
SCALE: NTS
DESIGNED BY: DAC
DRAWN BY: FR

Kimley-Horn and Associates, Inc.
Engineering, Planning, and Environmental Consultants
2080 E. Flamingo Road, Suite 210, Las Vegas, NV 89119
PH: (702) 734-4949 FAX: (702) 734-5666

DEPARTMENT OF PUBLIC WORKS
PROJECT: BONNEVILLE/CLARK ONEWAY COUPLER PHASE 1 IMPROVEMENT PLANS
SHEET: LANDSCAPE DETAILS

REGISTERED LANDSCAPE ARCHITECT
STATE OF NEVADA
107V5201

811 SAFETY ALERT
Call Before You Dig
Underground
Call before you dig 1-800-227-2329

BID# 09.1730.37

20130501