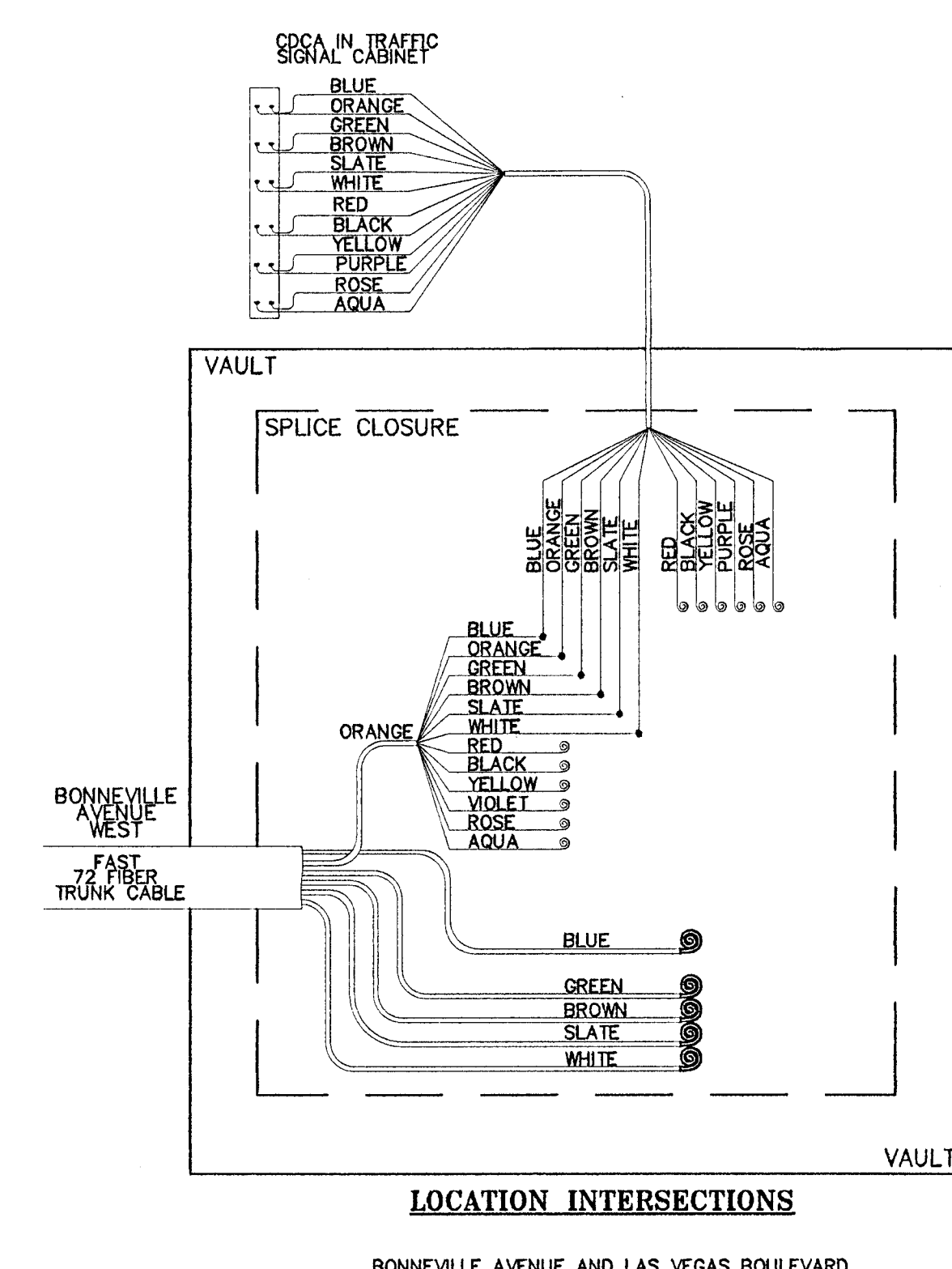
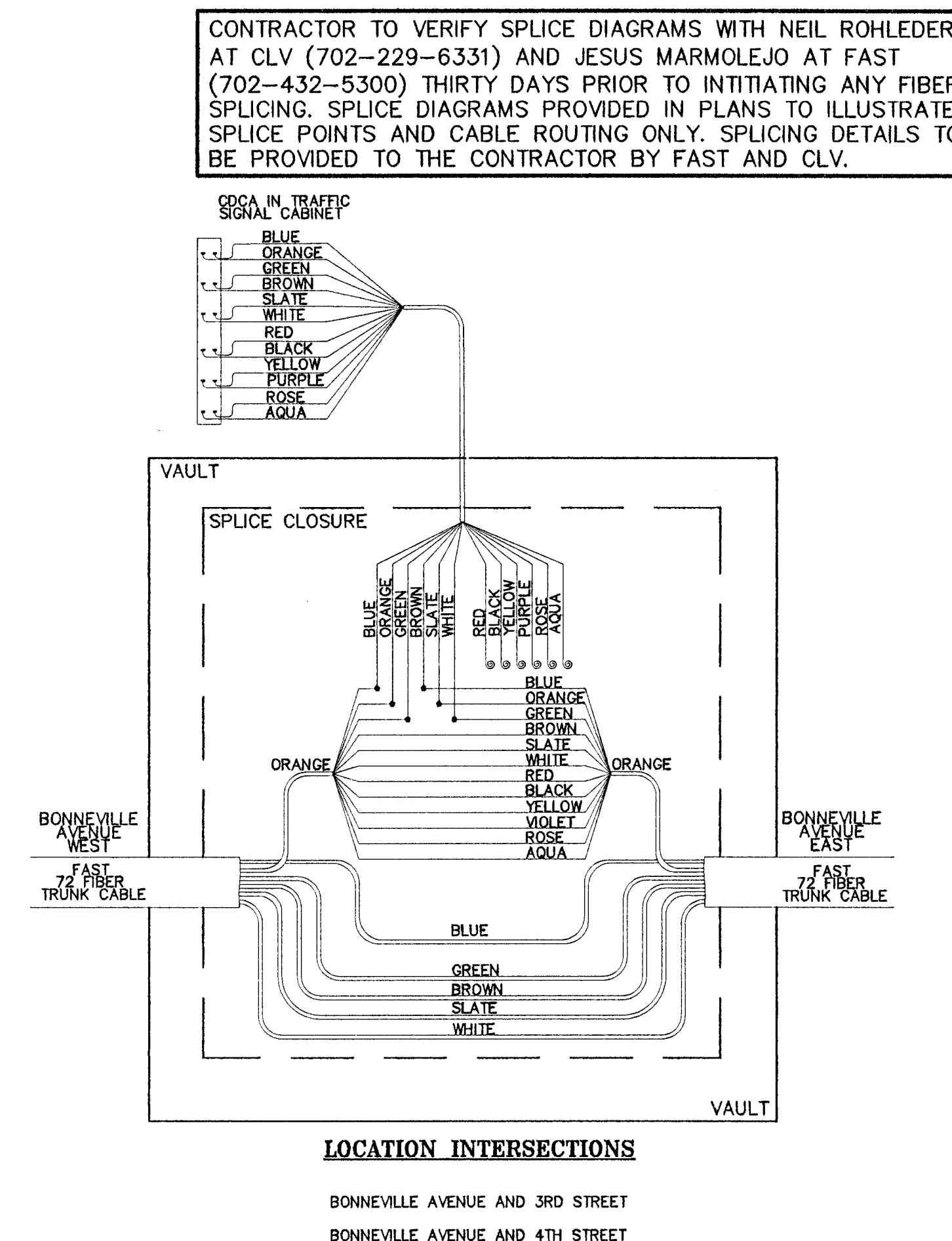
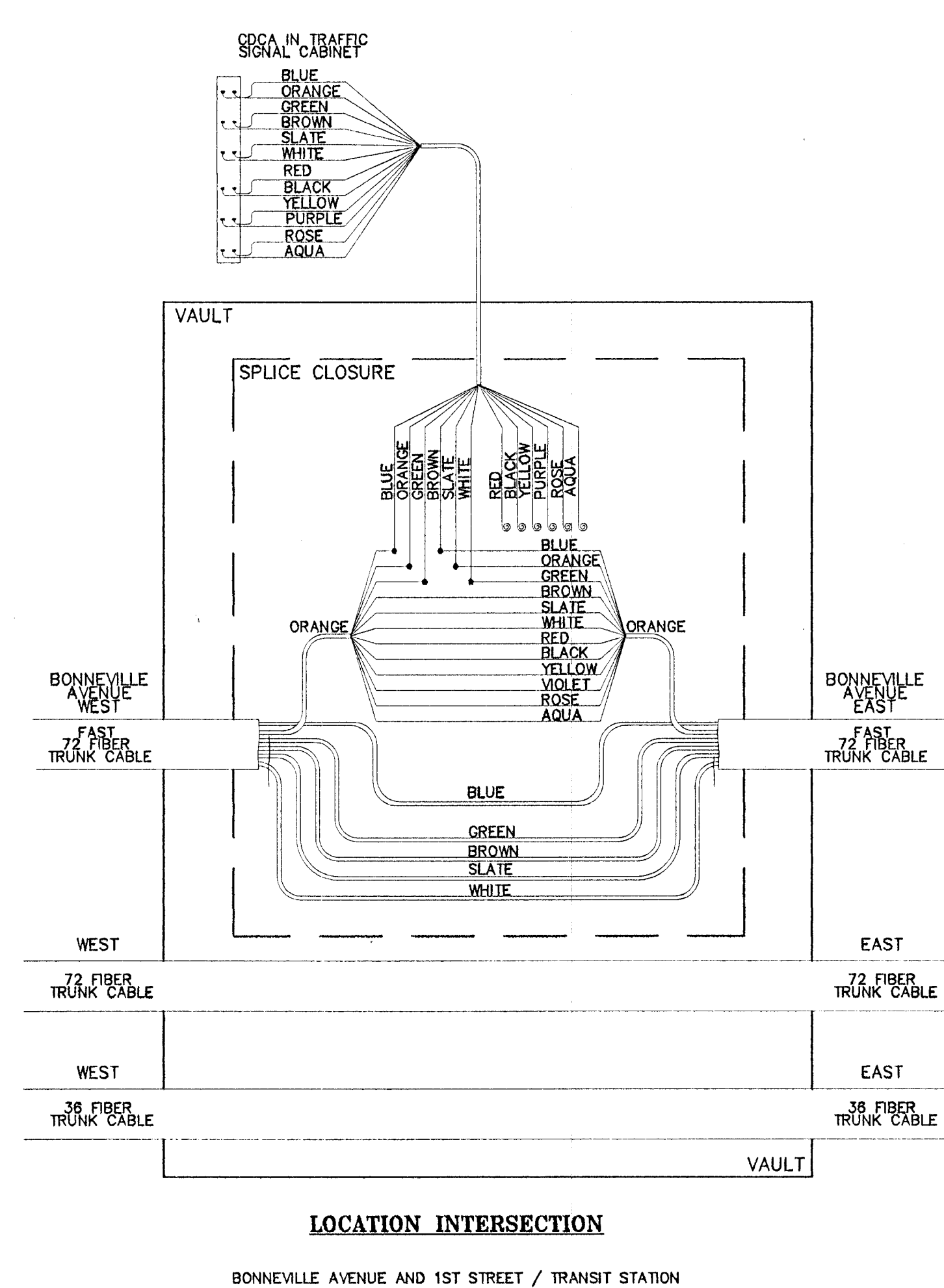
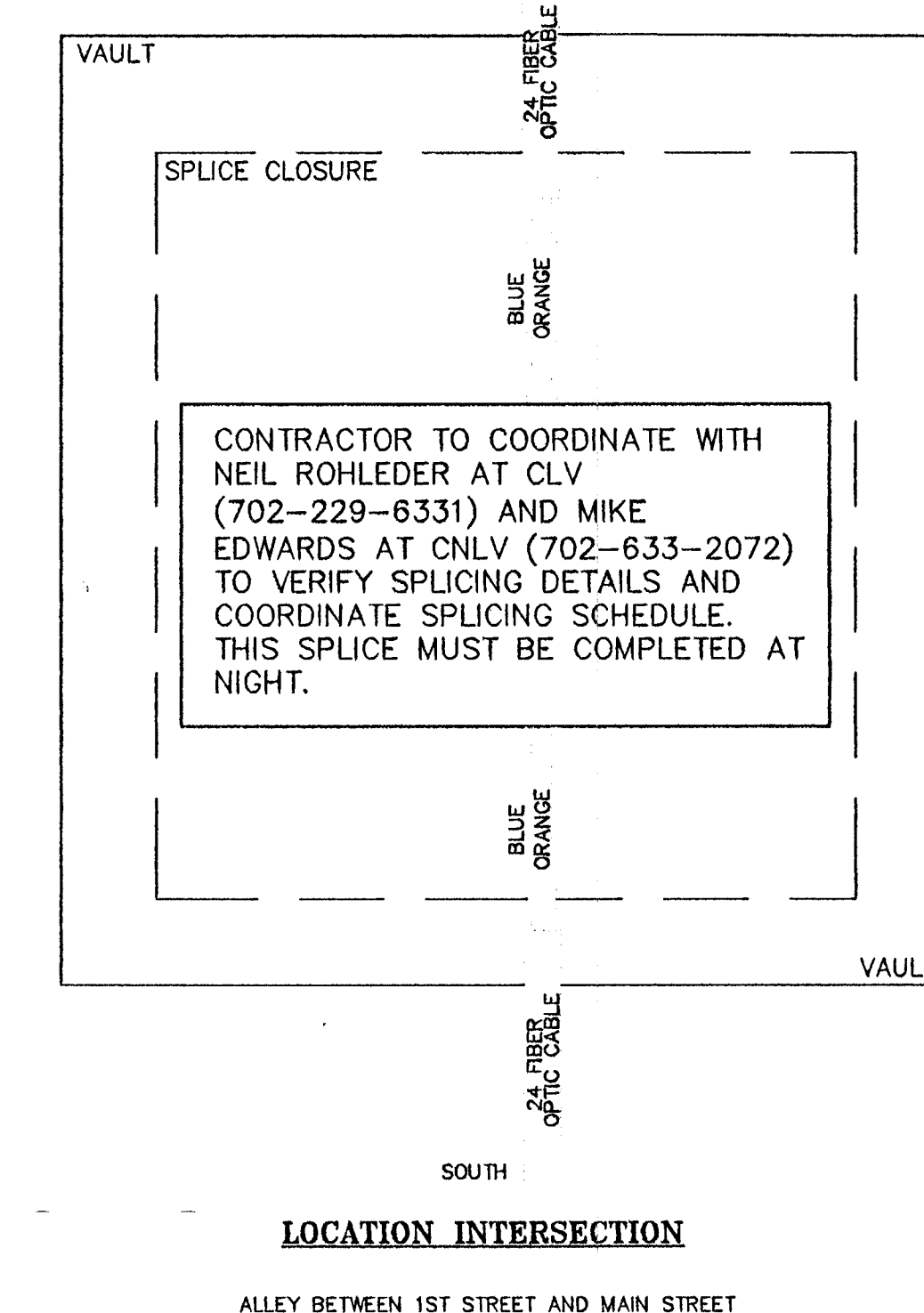
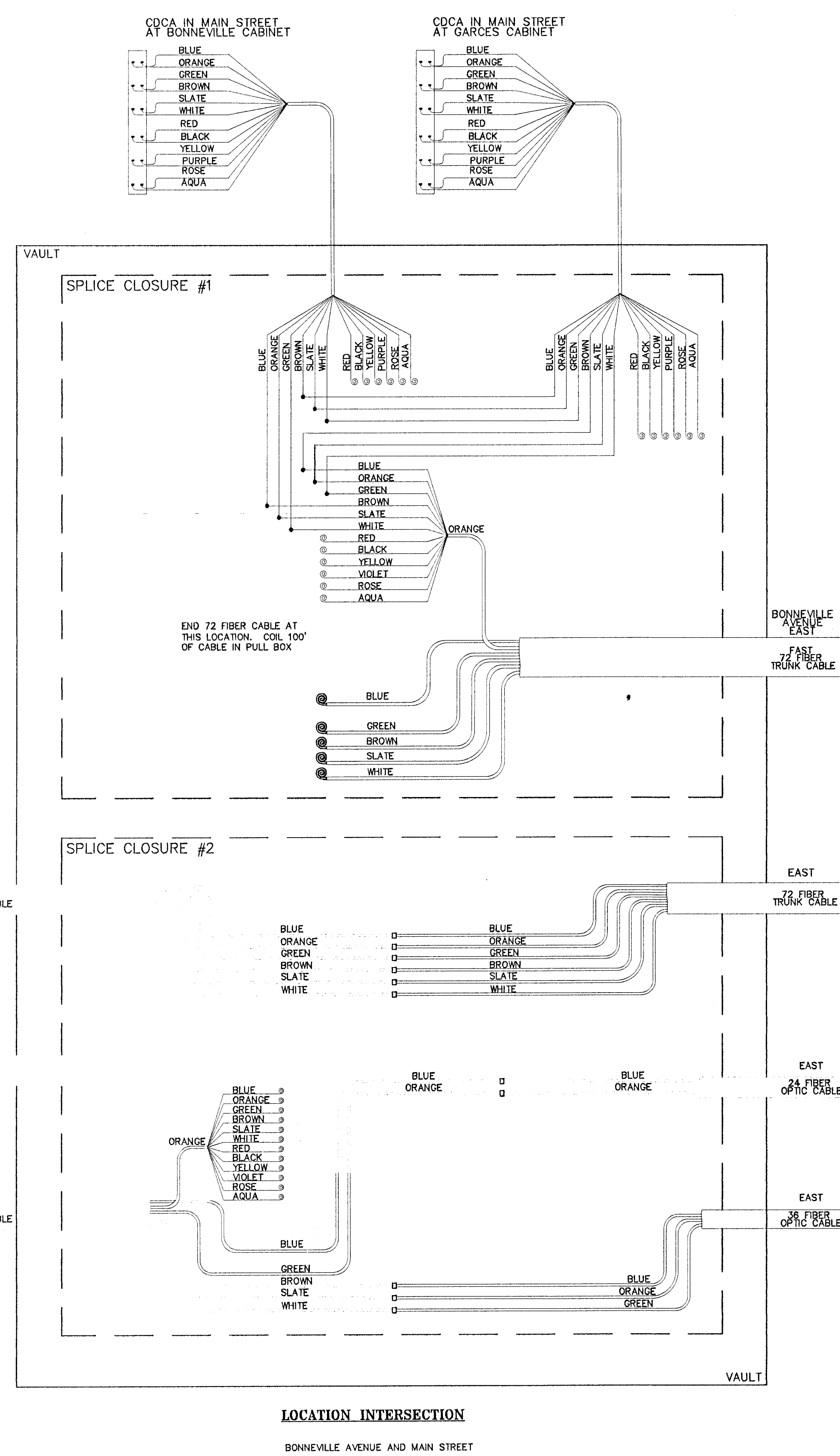


Jun 21, 2010 3:09pm - USER: peter.meyerhofer
 \\AVP001\Projects\LAN_Publications\92256\019 Bonneville-CAD\25019a-01_10.dwg



TAND, INC.
AS-BUILT

811 SAFETY ALERT
 Call Before You Dig
 Call before you dig 1-702-227-2829

UnderGround
 1-702-432-5300

DEPARTMENT OF PUBLIC WORKS

BONNEVILLE/CLARK ONEWAY COUPLER PHASE 1 IMPROVEMENT PLANS

FIBER OPTIC SPLICE DETAILS

REVISIONS

DATE	6/21/10
REVISIONS	SHEET REPLACEMENT ZC

DATE: FEBRUARY 2010
 CHECKED BY: RF/RWC
 DESIGNED BY: RWC
 SCALE (H): N/A
 SCALE (V): N/A
 DRAWN BY: WSW

Kimley-Horn and Associates, Inc.
 Engineering, Planning, and Environmental Consultants
 2080 E. Flamingo Road, Suite 210, Las Vegas, NV 89119
 PH: 702.735.4949 FAX: 702.735.5666

RANDY W. CARROLL
 Exp. 12/31/10
 CIVIL

SHEET 08 OF 91
 DRAWING NO. 1075201

BID # 09.1730.37 REV 3

20130471