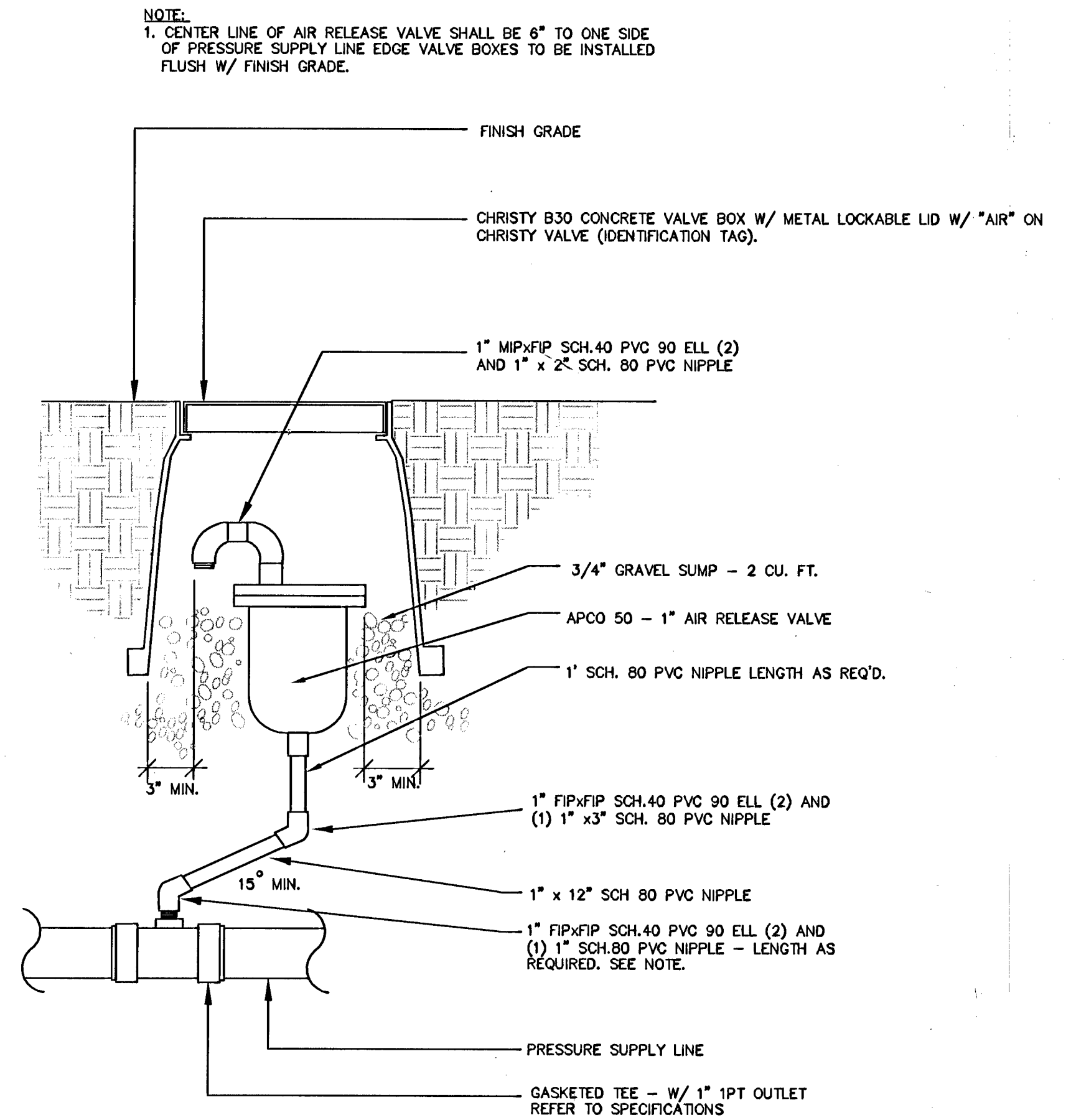
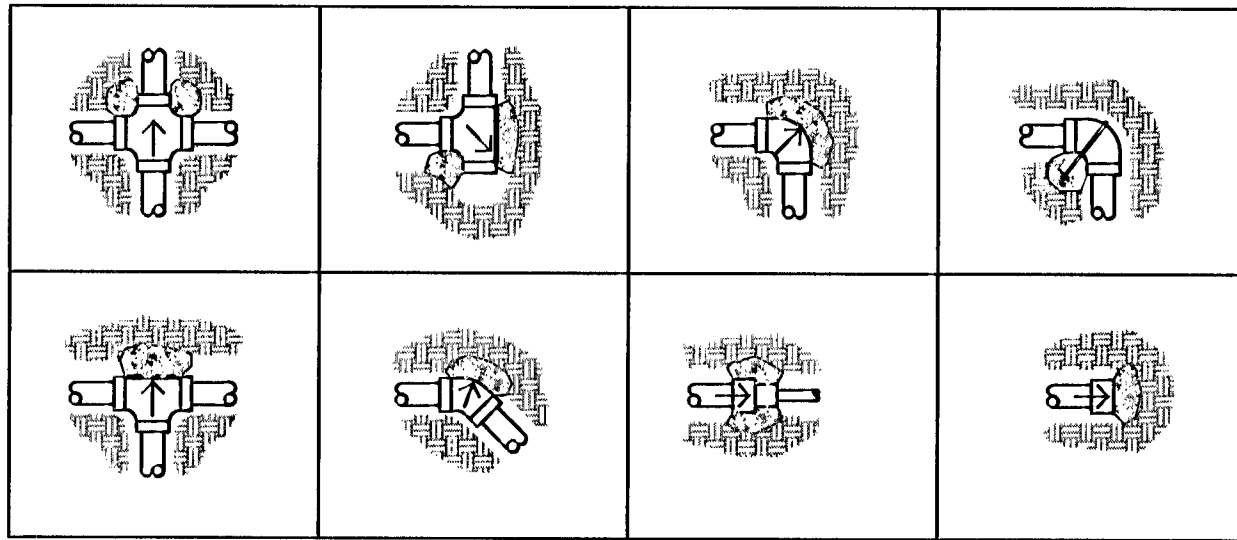


A PRESSURE REGULATOR
DETAIL NTS

B NOT USED NTS



C AIR RELEASE VALVE
DETAIL NTS



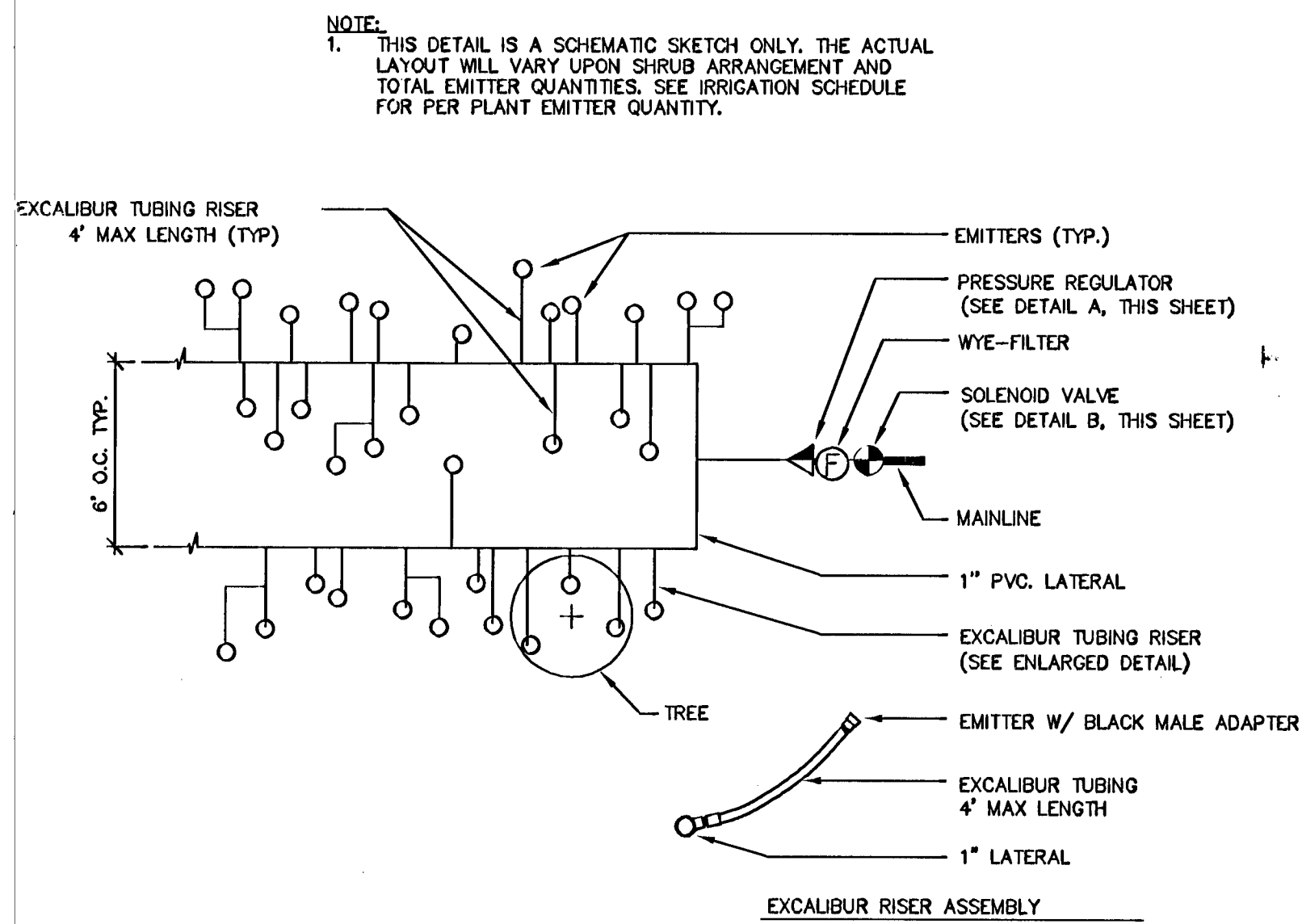
THRUST BLOCK SURFACE AREA AGAINST UNDISTURBED SOIL (SQUARE FEET)

FITTING SIZE	90° BEND	45° BEND	22.5° BEND	11.5°	TEE OR DEAD END
3"	5.4	2.78	1.42	.74	3.58
4"	8.24	4.54	2.31	1.2	5.88
6"	10.8	5.52	2.84	1.48	7.16
8"	16.48	9.08	4.82	2.4	11.76
10"	19.04	10.08	5.15	2.68	13.04

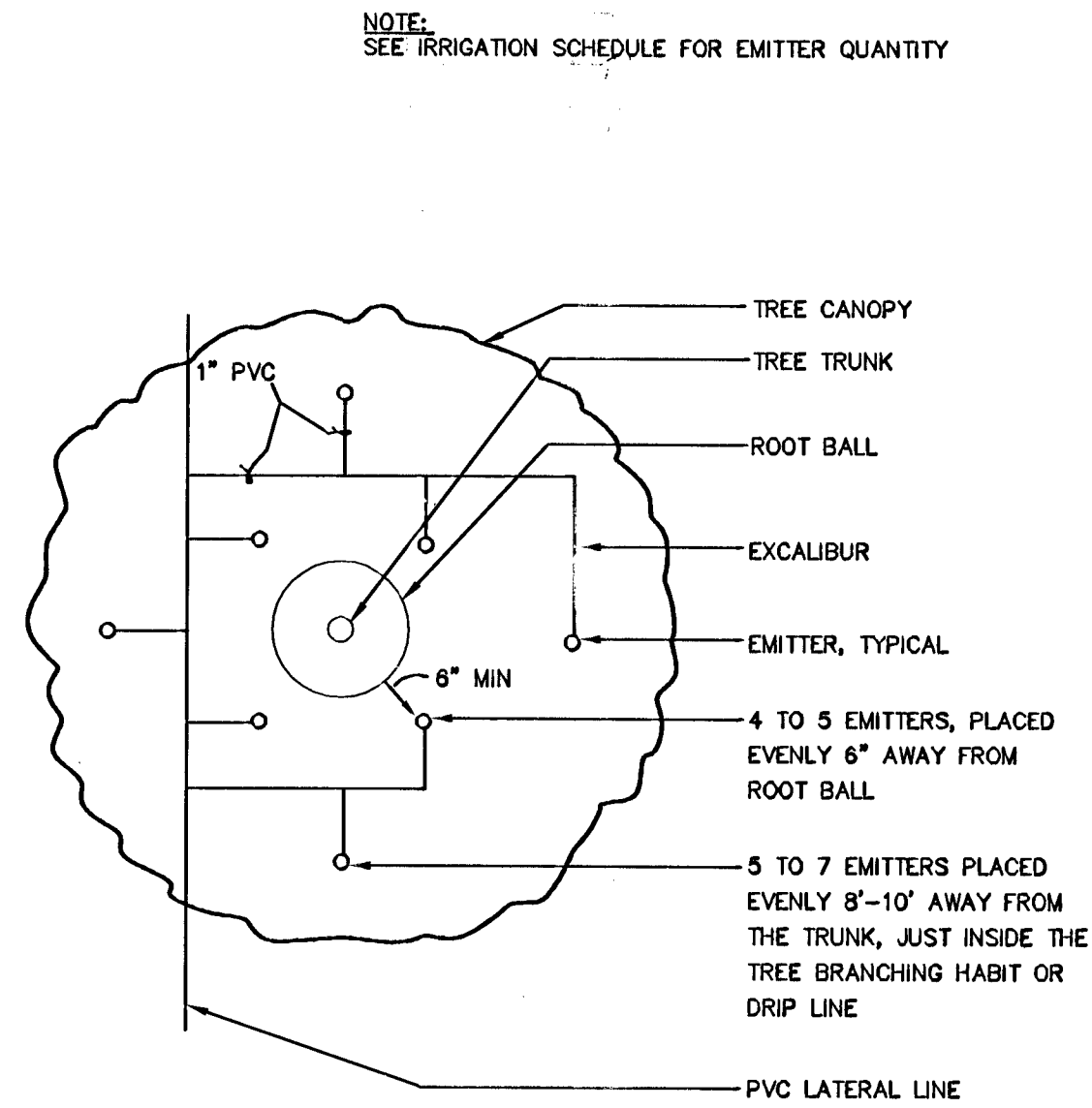
- NOTES:
1. ALL MAINLINE TO BE INSTALLED AND TESTED ACCORDING TO MANUFACTURER'S INSTALLATION SPECIFICATIONS
 2. ALL TRENCH DEPTHS AND WIDTHS SHALL BE AS PER SPECIFICATIONS.
 3. USE NO. 4 REBAR WITH MASTIC COATING WHERE PIPE MUST BE ANCHORED TO THRUST BLOCK
 4. INSTALL THRUST BLOCKS SO THE HORIZONTAL AND VERTICAL DIMENSIONS ARE APPROXIMATELY EQUAL.

D THRUST BLOCK
DETAIL NTS

E NOT USED NTS

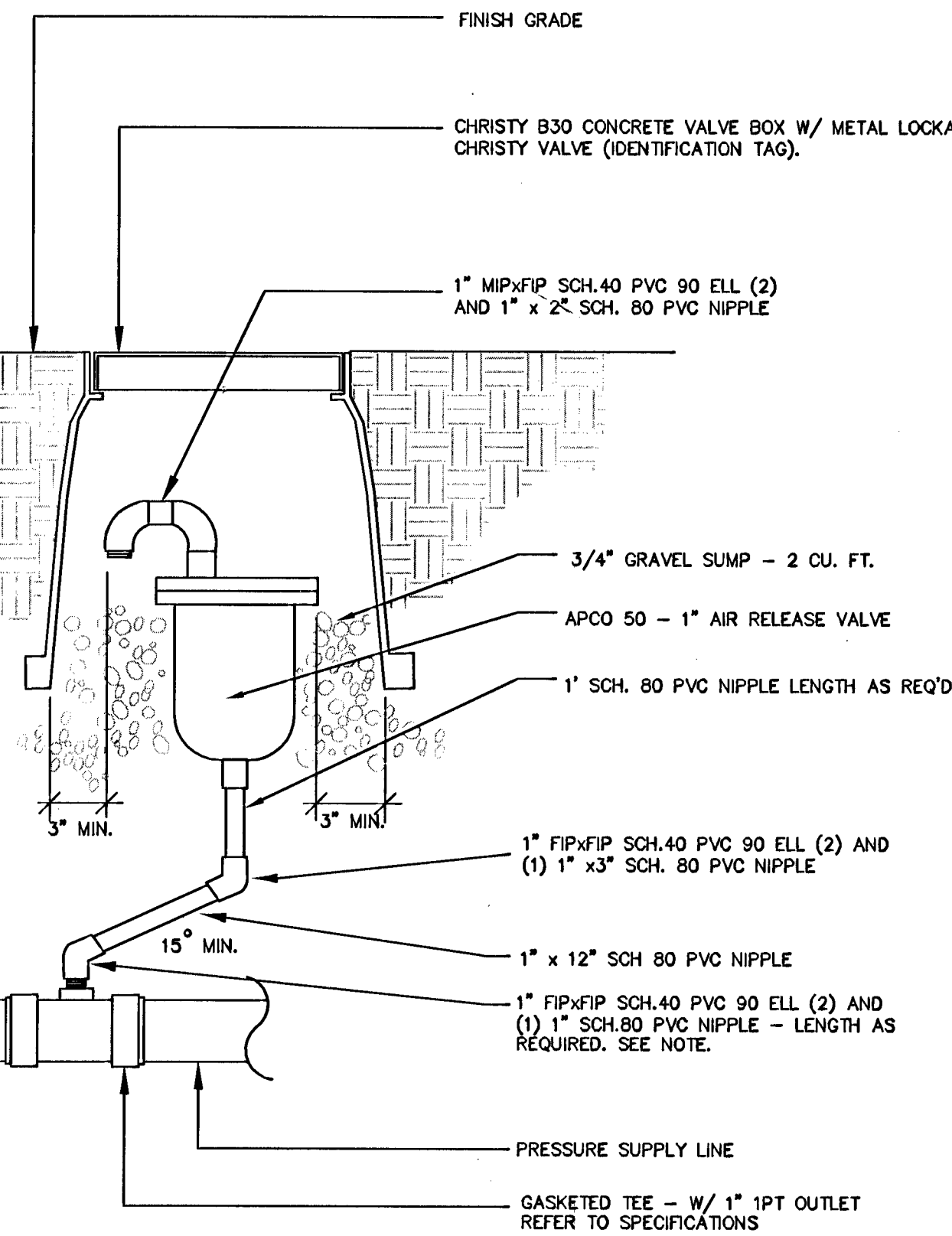


F DRIP EMITTER LAYOUT
DETAIL NTS



G EMITTER LAYOUT FOR TREES
DETAIL NTS

NOTE:
1. CENTER LINE OF AIR RELEASE VALVE SHALL BE 6" TO ONE SIDE OF PRESSURE SUPPLY LINE EDGE VALVE BOXES TO BE INSTALLED FLUSH W/ FINISH GRADE.



C AIR RELEASE VALVE
DETAIL NTS

NOTE:
1. THIS DETAIL IS A SCHEMATIC SKETCH ONLY. THE ACTUAL LAYOUT WILL VARY UPON SHRUB ARRANGEMENT AND TOTAL EMITTER QUANTITIES. SEE IRRIGATION SCHEDULE FOR PER PLANT EMITTER QUANTITY.

NOTE:
SEE IRRIGATION SCHEDULE FOR EMITTER QUANTITY

REVISIONS

NO.	DATE	BY	REVISIONS

DATE: FEBRUARY 2010
 CHECKED BY: ACP
 SCALE: N/A
 DESIGNED BY: DJC
 DRAWN BY: FR

Kimley-Horn and Associates, Inc.
 Engineering, Planning, and Environmental Consultants
 2080 E. Flamingo Road, Suite 210, Las Vegas, NV 89119
 PH. (702) 734-5666
 FAX (702) 735-4949

DEPARTMENT OF PUBLIC WORKS
 BONNEVILLE/CLARK ONEWAY COUPLER PHASE 1 IMPROVEMENT PLANS

PROJECT: IRRIGATION OF TAILS

STATE OF NEVADA
 LANDSCAPE ARCHITECT
 LICENSE NO. 7913
 EXPIRES 06/30/2012

811 SAFETY ALERT
 Call Before You Dig
 Know what's below. Call before you dig.

107V5201

APR 23, 2010 - 11:26am - USER: paker@kimley-horn.com - PROJECT: C:\APR03\Projects\VAW_Public\Drawings\107V5201\107V5201.dwg

124579